

PRODUCT INFORMATION PACKET



Model No: 101641.00
Catalog No: 101641.00
0.75 HP General Purpose Motor, 3 phase, 3600 RPM, 230/460 V, 56H Frame, ODP
General Purpose Motors



Regal and Leeson are trademarks of Regal Rexnord Corporation or one of its affiliated companies.
©2021 Regal Rexnord Corporation, All Rights Reserved. MC017097E





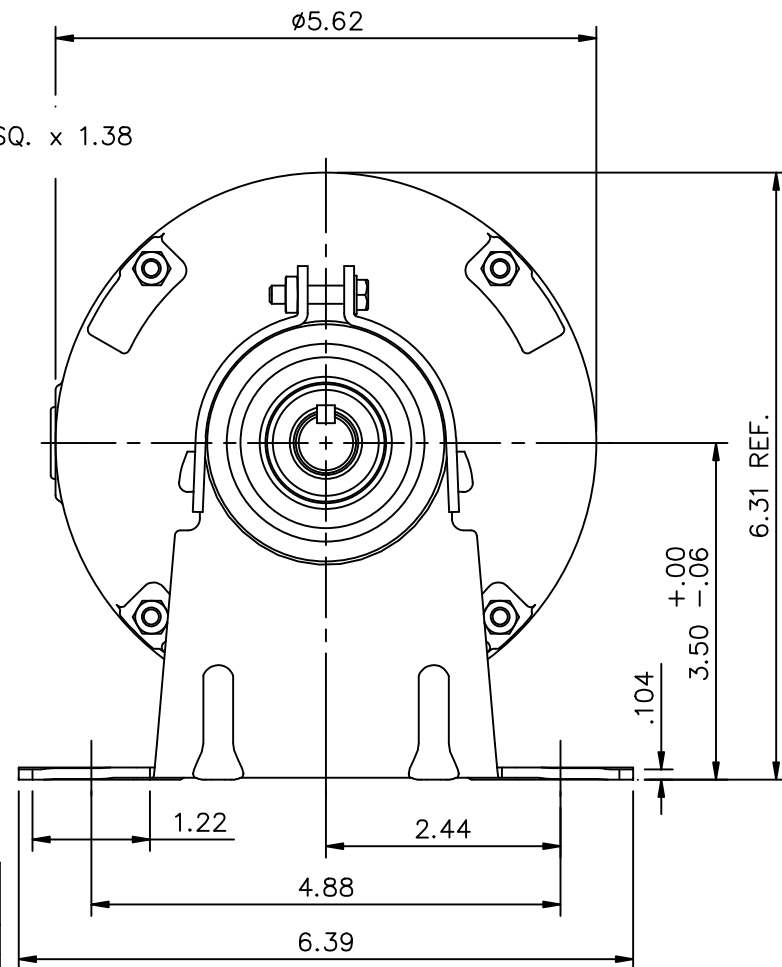
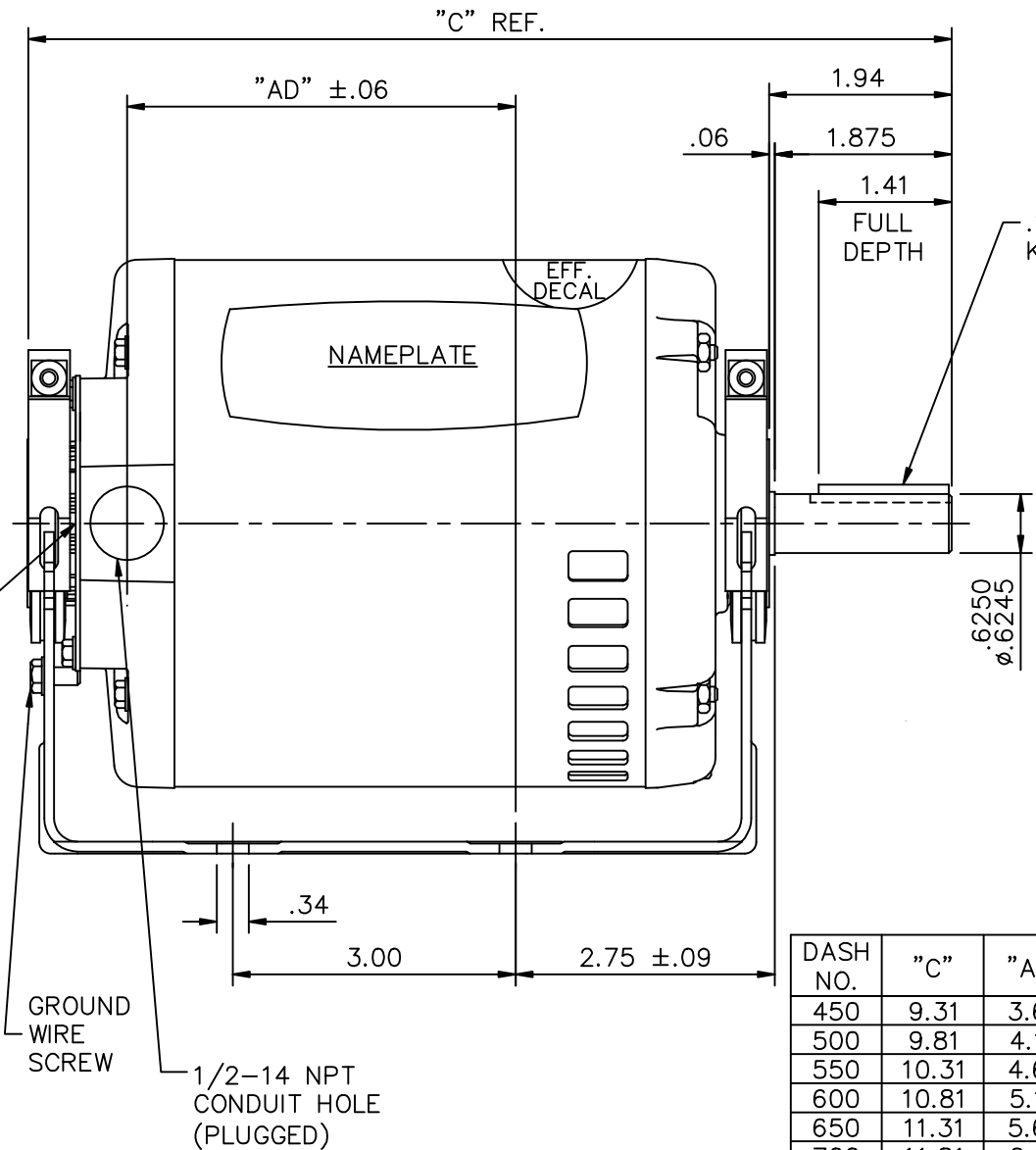
Nameplate Specifications

Output HP	0.75 Hp	Output KW	0.56 kW
Frequency	60 Hz	Voltage	230/460 V
Current	2.4/1.2 A	Speed	3450 rpm
Service Factor	1.25	Phase	3
Efficiency	79 %	Power Factor	74
Duty	Continuous	Insulation Class	B
Design Code	NO DESIGN CODE	KVA Code	K
Frame	56H	Enclosure	Drip Proof
Thermal Protection	Automatic	Ambient Temperature	40 °C
Drive End Bearing Size	6203	Opp Drive End Bearing Size	6203
UL	Recognized	CSA	Y
CE	N	IP Code	22
Number of Speeds	1		

Technical Specifications

Electrical Type	Squirrel Cage Induction Run	Starting Method	Across The Line
Poles	2	Rotation	Reversible
Resistance Main	0 Ohms	Mounting	Resilient Base
Motor Orientation	Horizontal	Drive End Bearing	Ball
Opp Drive End Bearing	Ball	Frame Material	Rolled Steel
Shaft Type	NEMA 56	Overall Length	10.81 in
Frame Length	6.00 in	Shaft Diameter	0.625 in
Shaft Extension	1.88 in	Assembly/Box Mounting	F1 ONLY
Outline Drawing	031807-600	Connection Drawing	005020.01

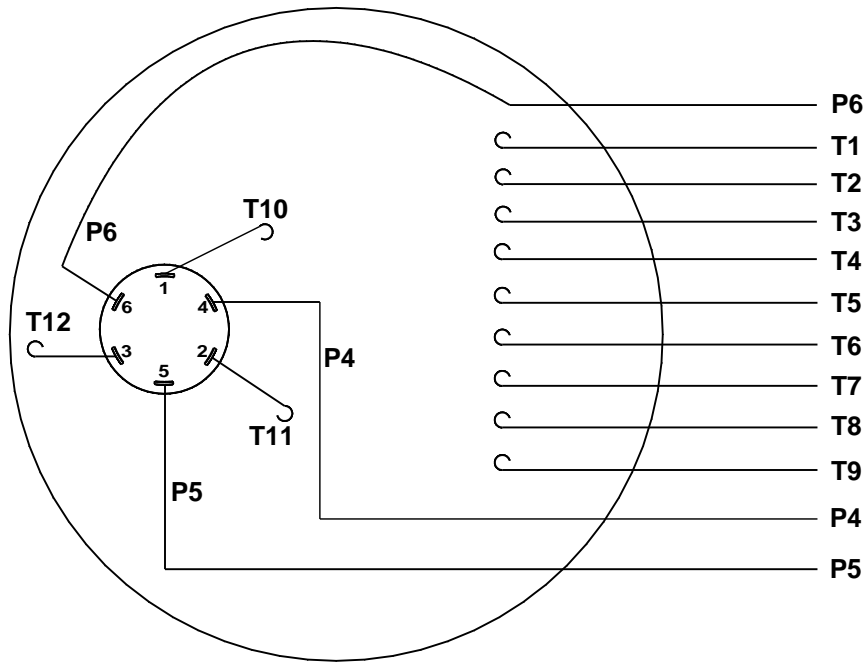
CONNECTION DECAL INSIDE COVER WHEN REQ'D
WARNING DECAL ON OUTSIDE OF COVER



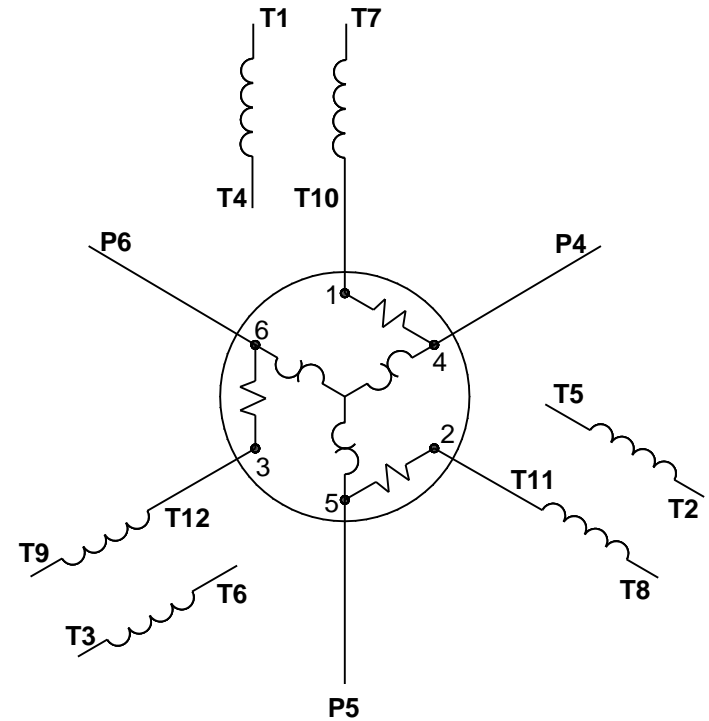
DASH NO.	"C"	"AD"
450	9.31	3.62
500	9.81	4.12
550	10.31	4.62
600	10.81	5.12
650	11.31	5.62
700	11.81	6.12

				TOLERANCES UNLESS SPECIFIED		LEESON ELECTRIC MOTORS GEARMOTORS AND DRIVES	DRAWN PG 02/18/05
				DEC.	INCHES		CHK
				.X	±.1		APPD PG 02/18/05
				.XX	±.03	TITLE	SCALE 1=2
02	ADDED DECAL NOTES PER ASSEMBLY	GWS	8/19/11	.XXX	±.005	OUTLINE - S56 FRAME RESILIENT MOUNT - DRIP PROOF	REF 030485
01	ADDED NOTE FOR GROUND WIRE SCREW	ARV	1/21/08	.XXXX	±.0005	MAT'L. 3 PHASE	FMF 101773.00
NO.	REVISION	BY & DATE	CHK	ANG	±1/2"	FINISH	PREV
THIS DRAWING IN DESIGN AND DETAIL IS OUR PROPERTY AND MUST NOT BE USED EXCEPT IN CONNECTION WITH OUR WORK ALL RIGHTS OF DESIGN AND INVENTION ARE RESERVED THIS IS AN ELECTRONICALLY GENERATED DOCUMENT - DO NOT SCALE THIS PRINT				RFP	CAD FILE	031807	SIZE A
				DIST			DRAWING NO. 031807
							REV. 02

VIEW FROM OUTSIDE OF MOTOR AT SWITCH END.



LINE LEADS



VOLTAGE	L1	L2	L3	JOIN	SEPARATE
HIGH	T1	T2	T3	(T4, T7) (T5, T8) (T6, T9)	(P4), (P5), (P6)
LOW	T1, T7	T2, T8	T3, T9	(T4, P4) (T5, P5) (T6, P6)	

DRAWING REVISION **D** REVISION BY **SM** DATE **9/26/2016**

ECO **ECO-0109970** APPROVED BY **SM** DATE **9/26/2016**

ECO DESCRIPTION
UPDATED TO NEW TEMPLATE

COPYRIGHT REGAL BELOIT AMERICA, INC. ALL RIGHTS RESERVED. PROPRIETARY AND CONFIDENTIAL INFORMATION - THIS DOCUMENT IS THE PROPERTY OF REGAL BELOIT AMERICA, INC. ("OWNER") AND CONTAINS OWNER'S PROPRIETARY INFORMATION. ANY PERSON, CORPORATION OR OTHER FIRM RECEIVING IT IS DEEMED, BY RECEIVING IT, TO AGREE THAT IT, AND/OR ANY PART OF IT, SHALL NOT BE DISCLOSED TO ANY PERSON, CORPORATION OR OTHER ENTITY, DUPLICATED, AND/OR USED, EXCEPT AS EXPRESSLY APPROVED IN WRITING IN ADVANCE BY OWNER. THIS DOCUMENT SHALL BE RETURNED TO OWNER UPON REQUEST. IT MAY BE SUBJECT TO CERTAIN RESTRICTIONS UNDER APPLICABLE EXPORT CONTROL LAWS AND REGULATIONS.

TOLERANCES UNLESS OTHERWISE SPECIFIED:

DEC.	INCH	mm	ANGLE
.X	±0.1	[±2.5]	±0.5°
.XX	±0.01	[±0.25]	
.XXX	±0.005	[±0.127]	
.XXXX	±0.0005	[±0.0127]	

REMOVE BURRS & BREAK SHARP EDGES: .003/.015 [.076/.381] X 45°
CORNER FILLETS: R.02 [.51]
MACHINED SURFACES: 125/ INCH 3.2/ mm
 mm SHOWN IN [BRACKETS]

DRAWN BY **ADH 02/25/74**

DATE

APPROVED BY **JCW 03/11/74**

DATE

REFERENCE

THIRD ANGLE PROJECTION



Regal Beloit America, Inc.

DESCRIPTION
CONN DIAGRAM-EXTERNAL
TYPE "T" W/PROTECTOR

MATERIAL **DECAL - 004023** PROCESS/FINISH **ECO LAB**

SIZE **A** DRAWING NUMBER **00502001** SHEET **1 OF 1**



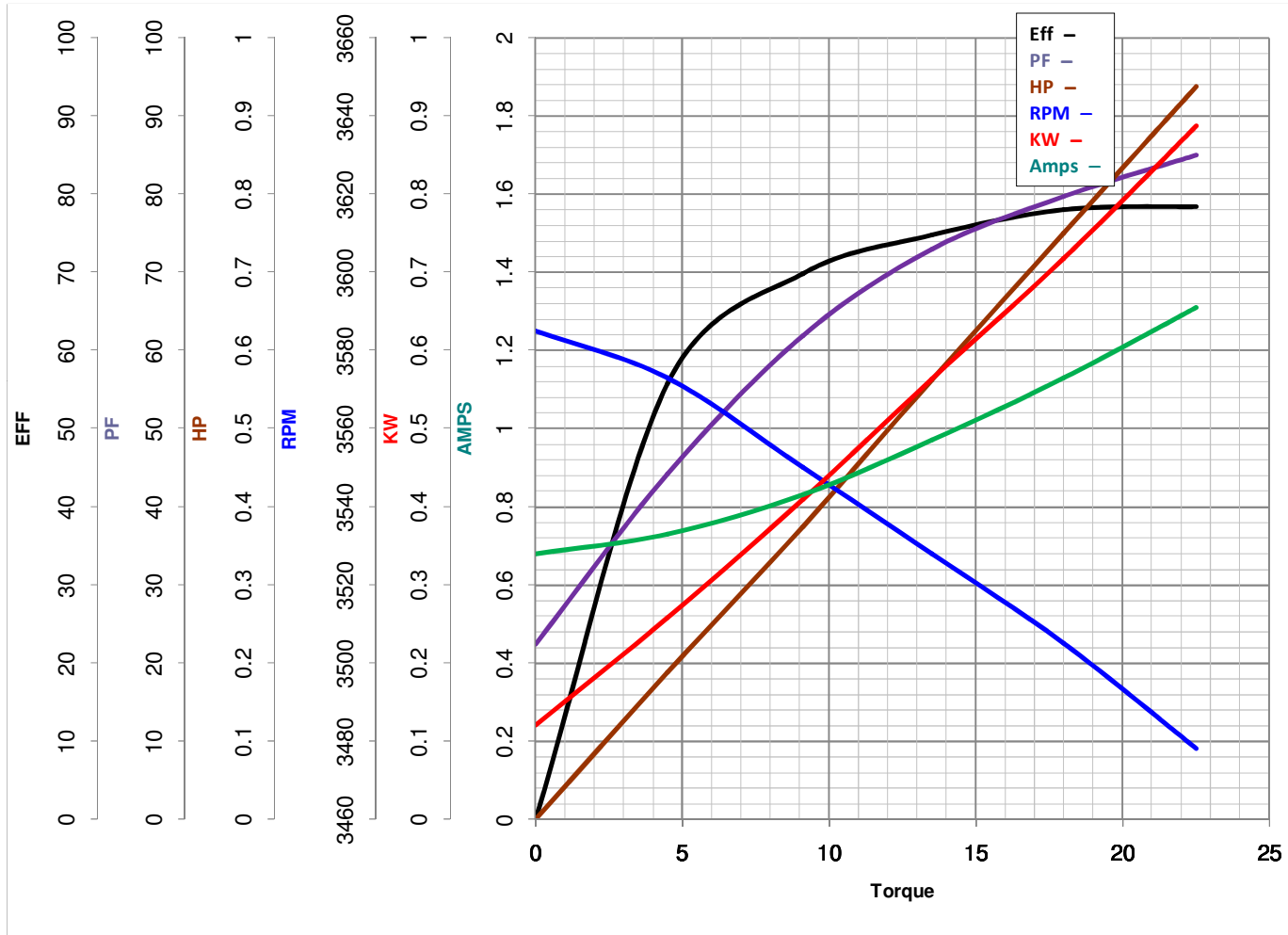
LEESON ELECTRIC CORPORATION
 TYPICAL PERFORMANCE CURVE for AC MOTOR

Model No 101641.00

Catalog No 101641.00

Curve at 460 Volts HP 0.75&0.75 PHASE 3
60 HZ
0.75 HP VOLTS 230/460&208-230/460

HZ 60&50 RPM 3450&2850



Torque in Oz.Ft

FL TORQUE 18 Oz.Ft
 BD TORQUE 73.3 Oz.Ft
 LR TORQUE 53.6 Oz.Ft

FL AMPS 2.4/1.2
 PU TORQUE 48.0 Oz.Ft
 LR AMPS 8.54

WINDING T5527-6

Date 5/23/2018