

BALDOR® • RELIANCE 

Product Information Packet

105W

1.5HP, 1500/1800RPM, 3PH, 50/60HZ, 3528M

Part Detail							
Revision:	AQ	Status:	PRD/A	Change #:		Proprietary:	No
Type:	AC	Elec. Spec:	G0WG0036	CD Diagram:	CD0006	Mfg Plant:	
Mech. Spec:	G10-163	Layout:	G0LY0163	Poles:	04	Created Date:	
Base:	RG	Eff. Date:	12-15-2021	Leads:	3#18 SEE NOTES		Y

Specs			
Nameplate Output:	1.5		

Nameplate NP0113	
CAT.NO.	105W
HP	1.5
PHASE	3
HZ	50//60
SER.NO.	
SPEC.	G10-163-36
	VOLTS 575
	AMPS 1.1
	RPM 1500//1800

Parts List		
Part Number	Description	Quantity
SA037583	SA G10-163-36	1.000 EA
RA033608	RA G10-163-36	1.000 EA
G8BA3000A01	BASE, MACH	1.000 EA
19XX2510A14	1/4-10 X 7/8 HEX HD PLASTITE SCREW	4.000 EA
HW1000A25	1/4 SAE FLAT WASHER (FS)	4.000 EA
G8CB4500A02	G8-272 BASE COVER,STPD X PLATED	1.000 EA
51XW0832A07	8-32 X .44, TAPTITE II, HEX WSHR SLTD SE	2.000 EA
RM1005A01SP	BUMPER- #2089 (R-R CO)	4.000 EA
15XF1032A10	10-32X5/8 PIN HD PHL TY FSEE JT	4.000 EA
G8EP3900A01SP	ENDPLATE, MACH	1.000 EA
G8EP3900A01SP	ENDPLATE, MACH	1.000 EA
HW5100A06	W2420-025 WVY WSHR (WB)	1.000 EA
HW5100A06	W2420-025 WVY WSHR (WB)	1.000 EA
HA1000A34	DR2463A .02 BRG GUARD B N	2.000 EA
HA1025A21	WSHR,FELT .125" THK	2.000 EA
HA3100A14	THRUBOLT 10-32 X 7.875	4.000 EA
XY1032A02	10-32 HEX NUT DIRECTIONAL SERRATION	4.000 EA
G0FH1807A01SP	GUARD,LH,10"GRINDER	1.000 EA
19XW2520A16	SCREW,1/4-20X1 TAPTITE-II OR ROLOC 91	4.000 EA
G0FH1806A01	GUARD,RH,10"GRINDER	1.000 EA
19XW2520A16	SCREW,1/4-20X1 TAPTITE-II OR ROLOC 91	4.000 EA
HA6101A01SP	SUPPORT, TOOL REST MACH	1.000 EA
10XN3816A20	3/8-16X1 1/4 HEX HD CAP	2.000 EA
HW1001A38	LOCKWASHER 3/8, ZINC PLT .688 OD, .382 I	2.000 EA

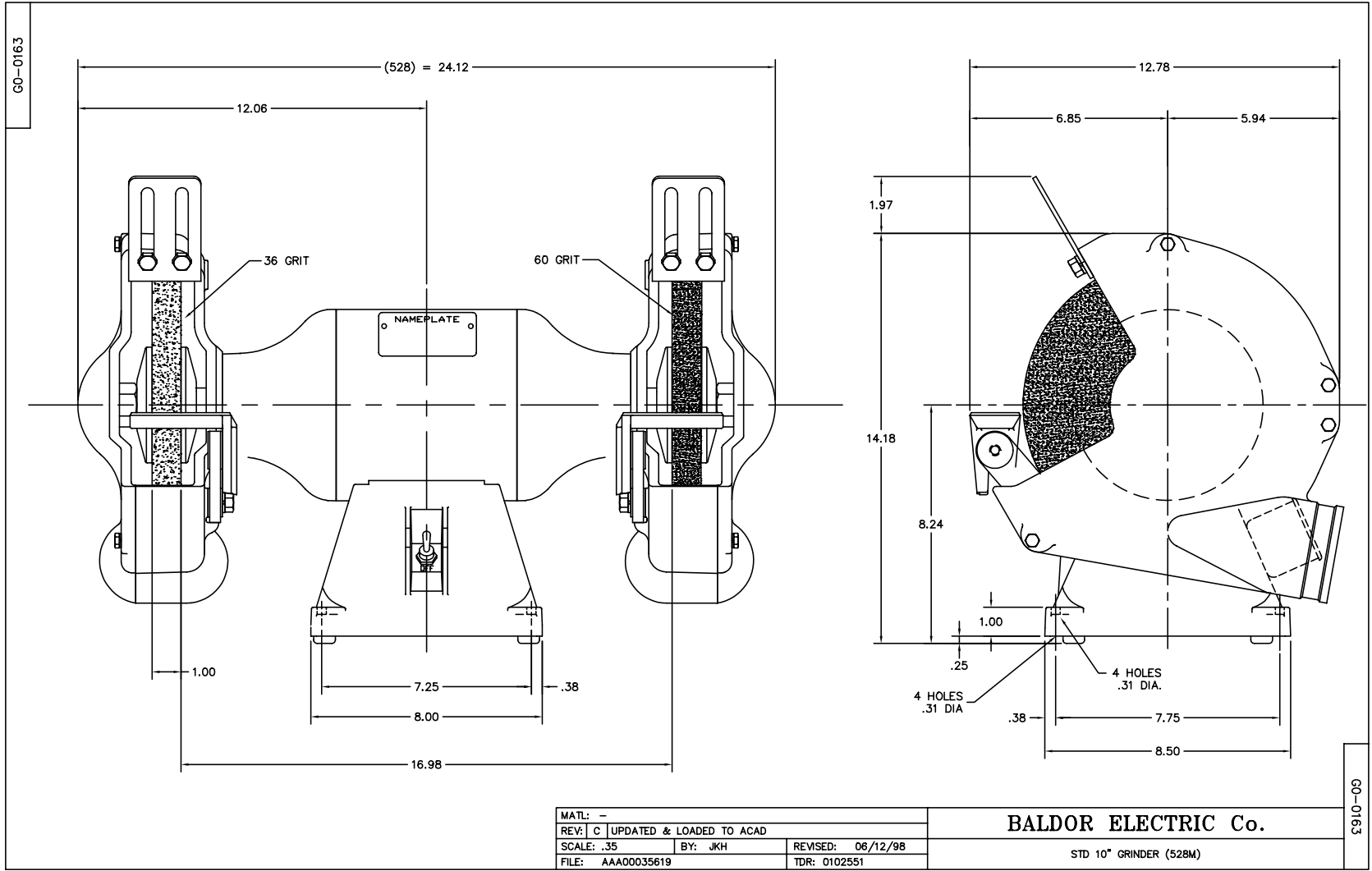
Parts List (continued)		
Part Number	Description	Quantity
HW1000A38	WASHER, 3/8" FLAT, SAE Z/P	2.000 EA
HA6101A01SP	SUPPORT, TOOL REST MACH	1.000 EA
10XN3816A20	3/8-16X1 1/4 HEX HD CAP	2.000 EA
HW1001A38	LOCKWASHER 3/8, ZINC PLT .688 OD, .382 I	2.000 EA
HW1000A38	WASHER, 3/8" FLAT, SAE Z/P	2.000 EA
G8AP1003A01SP	TOOL REST	1.000 EA
10XN3816A20	3/8-16X1 1/4 HEX HD CAP	2.000 EA
HW1001A38	LOCKWASHER 3/8, ZINC PLT .688 OD, .382 I	2.000 EA
HW1000A38	WASHER, 3/8" FLAT, SAE Z/P	2.000 EA
G8AP1003A01SP	TOOL REST	1.000 EA
10XN3816A20	3/8-16X1 1/4 HEX HD CAP	2.000 EA
HW1001A38	LOCKWASHER 3/8, ZINC PLT .688 OD, .382 I	2.000 EA
HW1000A38	WASHER, 3/8" FLAT, SAE Z/P	2.000 EA
G0AP1002SP	SPARK BREAKER ZINC PLATED	1.000 EA
10XN3816A16	3/8-16 X 1 HEX HD CAP SCREW	2.000 EA
HW1001A38	LOCKWASHER 3/8, ZINC PLT .688 OD, .382 I	2.000 EA
HW1000A38	WASHER, 3/8" FLAT, SAE Z/P	2.000 EA
G0AP1002SP	SPARK BREAKER ZINC PLATED	1.000 EA
10XN3816A16	3/8-16 X 1 HEX HD CAP SCREW	2.000 EA
HW1001A38	LOCKWASHER 3/8, ZINC PLT .688 OD, .382 I	2.000 EA
HW1000A38	WASHER, 3/8" FLAT, SAE Z/P	2.000 EA
HA6100	WHEEL FLANGE, CAST	4.000 EA
HW3020E04	1/8 X 3/8 A GROOVE PIN (DRIV-LOCK #118	2.000 EA
G0AP3000A01	WHEEL, 10X1X7/8X36 GRIT	1.000 EA

Product Information Packet: 105W - 1.5HP,1500/1800RPM,3PH,50/60HZ,3528M

B103	WHEEL, 10X1X7/8X60 GRIT	1.000 EA
XY8809A62SP	7/8-9 NUT L.H. HEX (NC)	1.000 EA
XY8809A12SP	7/8-9 NUT R.H. HEX (NC)	1.000 EA
G0FH1804A01	GUARD COVER,LH,10"GRINDER	1.000 EA
10XN2520A16	1/4-20 X 1 HEX HEAD CAP SCR, ZINC PLATED	4.000 EA
G0FH1805A01SP	GUARD COVER,RH,10"GRINDER	1.000 EA
10XN2520A16	1/4-20 X 1 HEX HEAD CAP SCR, ZINC PLATED	4.000 EA
WD4502A01A02	CONDUIT BOX W/KNOCKOUTS, FOR 7,8 & 10 GR	1.000 EA
51XB1016A06	10-16X3/8 HXWSSLD SERTYB	2.000 EA
WD4503A01	T&B 58 C 1, OUTLET BOX LID	1.000 EA
G7AP5001A01	EYE SHIELD ASSEM.-7",8",10",12"&14"GRIND	1.000 EA
85XU0407S04	4X1/4 U DRIVE PIN STAINLESS	2.000 EA
SP9004	SWITCH HKA270-73 CARLING	1.000 EA
MJ1000A02	GREASE, MOBIL POLYREX EM - 124047	0.050 LB
MG1000G01	MUNSELL 5.93PB 3.81/ 2.71	0.017 GA
LB1592A01	CONSOLIDATED GRINDER LABEL - 9",10",12"	1.000 EA
LB1119N	WARNING LABEL	1.000 EA
LC0005B01	CONN LABEL GRINDER/BUFFER X	1.000 EA
NP0113	N.P.- DELUXE GRINDERS - BUFFERS	1.000 EA
07PA1007	PKG GRP, PRINT PK1156A06	1.000 EA
MN903	INSTR MANUAL FOR GRINDERS 9/03	1.000 EA
LB1618	PROPOSITION 65 WARNING LABEL 1-1/2 X 1/2	1.000 EA

Accessories		
Part Number	Description	Multiplier
GA16	PEDESTAL INDUSTRIAL, CAST IRON 6" - 10"	A8
GA14	PEDESTAL FABRICATED STEEL W/SHELVES	A8
GA20	PEDESTAL INDUSTRIAL, CAST IRON 8"-14"	A8
GA20E	PEDESTAL LIGHT INDUSTRIAL,STEEL	A8
GA24	WATER POT	A8
B102	10" 36 GRIT GRINDING WHEEL	A8
B103	10" 60 GRIT GRINDING WHEEL	A8
GA9	PAIR LIGHTED EYESHIELDS	A8
GA9-1	SINGLE LIGHTED EYESHIELD	A8
GA9S	PAIR EYESHIELDS W/ ON-OFF SWITCH	A8
GA11	PAIR EYESHIELDS	A8
DC10	DUST CONTROL UNIT	A8

No performance data has been
assigned to this product.



GD-0163

GD-0163

MATL: -		
REV: C UPDATED & LOADED TO ACAD		
SCALE: .35	BY: JKH	REVISED: 06/12/98
FILE: AAA00035619		TDR: 0102551

BALDOR ELECTRIC Co.
STD 10" GRINDER (528M)

CD0006



NOTES:

1. THREE LEAD MOTOR MAY BE EITHER WYE CONNECTED OR DELTA CONNECTED.
2. INTERCHANGE ANY TWO LINE LEADS TO REVERSE ROTATION.
3. OPTIONAL THERMOSTATS ARE PROVIDED WHEN SPECIFIED.
4. ACTUAL NUMBER OF INTERNAL PARALLEL CIRCUITS MAY VARY.
5. LEAD COLORS ARE OPTIONAL. LEADS MUST BE NUMBERED AS SHOWN.

CD0006

REV. DESC: ADD CLASS CONN00000007		
REV. LTR: E	VERSION: 01	TDR: 000001099922
FILE: \AAA\00005\141	REVISED: 10:24:49 02/19/2019	BY: ENBRIRO
MTL: -	© □	

BALDOR - RELIANCE®

3PH, SV, 3 LEADS, WYE OR DELTA CONNECTED

SH 1 of 1