

PRODUCT INFORMATION PACKET

Model No: 114624.00

Catalog No: 114624.00

General Purpose Motor, 0.75 HP, 3 Ph, 60 Hz, 208-230/460 V, 1800 RPM, 56C Frame, TEFC



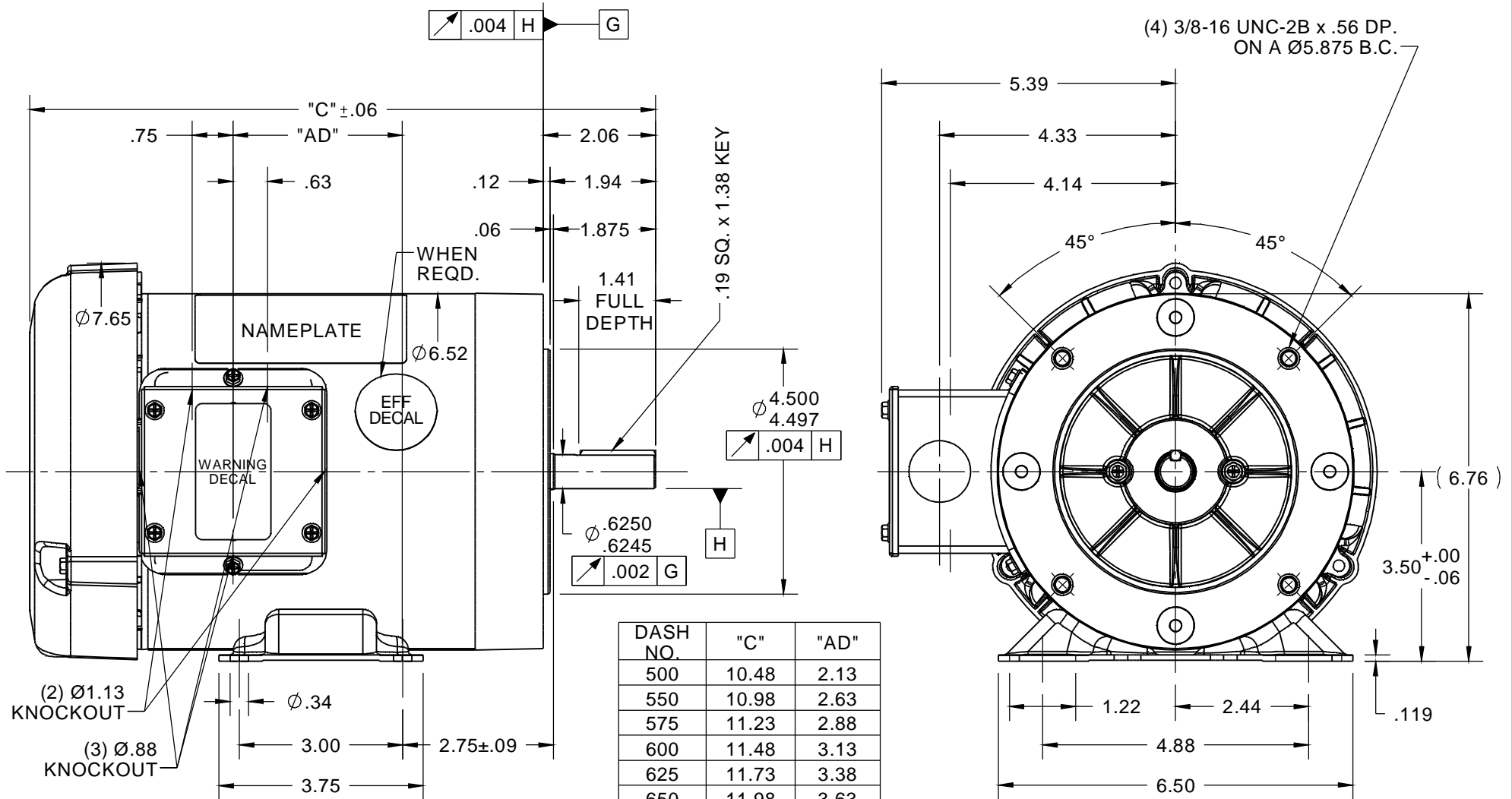
Regal and are trademarks of Regal Rexnord Corporation or one of its affiliated companies.
©2022 Regal Rexnord Corporation, All Rights Reserved. MC017097E

Nameplate Specifications

Output HP	0.75 Hp	Output KW	0.56 kW
Frequency	60 Hz	Voltage	208-230/460 V
Current	2.4/1.2 A	Speed	1725 rpm
Service Factor	1.25	Phase	3
Efficiency	81.5 %	Power Factor	72
Duty	Continuous	Insulation Class	F
Design Code	B	KVA Code	K
Frame	56C	Enclosure	Totally Enclosed Fan Cooled
Thermal Protection	Thermostat	Ambient Temperature	40 °C
Drive End Bearing Size	6203	Opp Drive End Bearing Size	6203
UL	Recognized	CSA	Y
CE	Y	IP Code	54
Number of Speeds	1		

Technical Specifications

Electrical Type	Squirrel Cage Inverter Rated	Starting Method	Line Or Inverter
Poles	4	Rotation	Reversible
Resistance Main	5.72 Ohms	Mounting	Rigid Base
Motor Orientation	Horizontal	Drive End Bearing	Ball
Opp Drive End Bearing	Ball	Frame Material	Rolled Steel
Shaft Type	NEMA 56	Overall Length	11.23 in
Frame Length	5.75 in	Shaft Diameter	0.625 in
Shaft Extension	1.88 in	Assembly/Box Mounting	F1 ONLY
Inverter Load	CONSTANT 10:1		
Connection Drawing	005010.20	Outline Drawing	028784-575



NOTE:
1) GASKETS THROUGHOUT

DASH NO.	"C"	"AD"
500	10.48	2.13
550	10.98	2.63
575	11.23	2.88
600	11.48	3.13
625	11.73	3.38
650	11.98	3.63
675	12.23	3.88
700	12.48	4.13
750	12.98	4.63

DRAWING REVISION F
REVISION BY SAJID
DATE 06/01/2015
ECO ECO-0077371
APPROVED BY JD
DATE 06/01/2015
ECO DESCRIPTION
ADDED WHEN REQD. NOTE ON EFF.DECAL & DASH# 750
COPYRIGHT REGAL BELOIT AMERICA, INC. ALL RIGHTS RESERVED.
PROPRIETARY AND CONFIDENTIAL INFORMATION - THIS DOCUMENT IS THE PROPERTY OF REGAL BELOIT AMERICA, INC. ('OWNER') AND CONTAINS OWNER'S PROPRIETARY INFORMATION. ANY PERSON, CORPORATION OR OTHER FIRM RECEIVING IT IS DEEMED, BY RECEIVING IT, TO AGREE THAT IT, AND/OR ANY PART OF IT, SHALL NOT BE DISCLOSED TO ANY PERSON, CORPORATION OR OTHER ENTITY, DUPLICATED, AND/OR USED, EXCEPT AS EXPRESSLY APPROVED IN WRITING IN ADVANCE BY OWNER. THIS DOCUMENT SHALL BE RETURNED TO OWNER UPON REQUEST. IT MAY BE SUBJECT TO CERTAIN RESTRICTIONS UNDER APPLICABLE EXPORT CONTROL LAWS AND REGULATIONS.

TOLERANCES UNLESS OTHERWISE SPECIFIED:
DEC. INCH. mm ANGLE
.X ±0.1 [±2.5] ±0.5°
.XX ±0.03 [±0.76]
.XXX ±0.005 [±0.127]
.XXXX ±0.0005 [±0.0127]
REMOVE BURRS & BREAK SHARP EDGES: .003/.015 [0.076/.381] X 45°
CORNER FILLETS: R.02 [0.51]
MACHINED SURFACES: 125/3.2 INCH/mm
mm SHOWN IN [BRACKETS]

DRAWN BY KMM 08/14/07
DATE
APPROVED BY
DATE
REFERENCE 028784
THIRD ANGLE PROJECTION

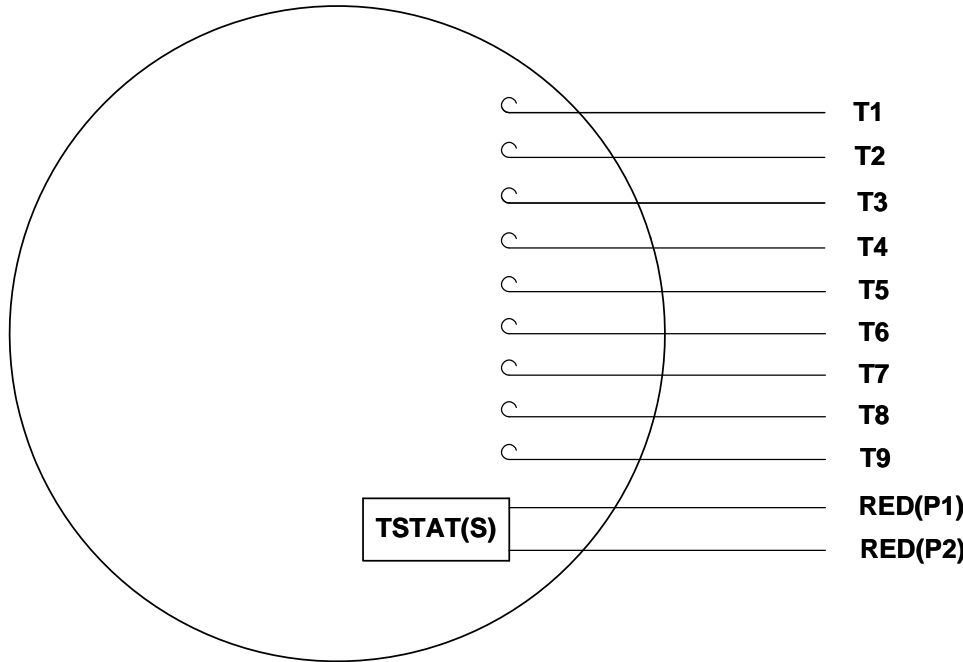
REGAL™ Regal Beloit America, Inc.

DESCRIPTION
OUTLINE
TEFC - RIGID "C" FACE

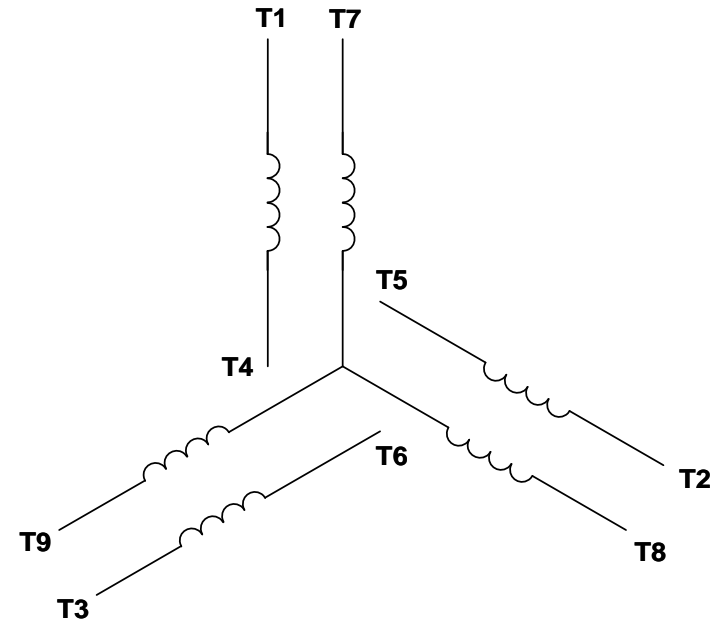
MATERIAL
PROCESS/FINISH
GENERAL PURPOSE

SIZE A
DRAWING NUMBER 028784
SHEET 1 OF 1

VIEW FROM OUTSIDE OF MOTOR AT SWITCH END. Uncontrolled Copy



LINE LEADS



VOLTAGE	L1	L2	L3	JOIN & INSULATE
HIGH	T1	T2	T3	(T4,T7) (T5,T8) (T6,T9)
LOW	T1,T7	T2,T8	T3,T9	T4,T5,T6

DRAWING REVISION **G** REVISION BY **MVG** DATE **04/05/2017**

ECO **ECO-0121253** APPROVED BY **SM** DATE **04/05/2017**

ECO DESCRIPTION
ADDED P1 & P2 FOR TSTAT

COPYRIGHT REGAL BELOIT AMERICA, INC. ALL RIGHTS RESERVED.
PROPRIETARY AND CONFIDENTIAL INFORMATION - THIS DOCUMENT IS THE PROPERTY OF
REGAL BELOIT AMERICA, INC. ('OWNER') AND CONTAINS OWNER'S PROPRIETARY
INFORMATION. ANY PERSON, CORPORATION OR OTHER FIRM RECEIVING IT IS DEEMED,
BY RECEIVING IT, TO AGREE THAT IT, AND/OR ANY PART OF IT, SHALL NOT BE DISCLOSED
TO ANY PERSON, CORPORATION OR OTHER ENTITY, DUPLICATED, AND/OR USED, EXCEPT
AS EXPRESSLY APPROVED IN WRITING IN ADVANCE BY OWNER. THIS DOCUMENT SHALL
BE RETURNED TO OWNER UPON REQUEST. IT MAY BE SUBJECT TO CERTAIN
RESTRICTIONS UNDER APPLICABLE EXPORT CONTROL LAWS AND REGULATIONS.

TOLERANCES UNLESS OTHERWISE SPECIFIED:

DEC.	INCH	mm	ANGLE
.X	±0.1	[±2.5]	±0.5°
.XX	±0.01	[±0.25]	
.XXX	±0.005	[±0.127]	
.XXXX	±0.0005	[±0.0127]	

REMOVE BURRS & BREAK SHARP EDGES: .003/.015 [.076/.381] X 45°
CORNER FILLETS: R.02 [.51]
MACHINED SURFACES: 125/3.2 INCH/mm
mm SHOWN IN [BRACKETS]

DRAWN BY **DBT 12/16/97**

DATE

APPROVED BY **KH 12/17/97**

DATE

REFERENCE
THIRD ANGLE PROJECTION

REGAL™ Regal Beloit America, Inc.

DESCRIPTION
CONN DIAGRAM-EXTERNAL
3 PHASE WITH PROTECTOR

MATERIAL **DECAL - 004014 (TSTAT) - 080582** PROCESS/FINISH **STOCK**
 SIZE **A** DRAWING NUMBER **00501020** SHEET **1 OF 1**

P.O. BOX 8003
 WAUSAU, WI 54401-8003
 PH. 715-675-3311



DATA VOLTS: 460

CERTIFICATION DATA SHEET

CONN. DIAGRAM: 005010.20
 OUTLINE: 028784-575
 WINDING: T634302

CAT #: 114624.00

FR 3

TYPICAL MOTOR PERFORMANCE DATA

HP	KW	SYNC RPM	FL RPM	FRAME	ENCLOSURE	TYPE	KVA CODE	DESIGN
0.75	0.56	1800	1744	56C	TEFC	NA	K	B

PH	HZ	VOLTS	AMPS	START TYPE	DUTY	INSL	S.F.	AMB	ELEV.
3	60/50	208-230/460#190/380	2.35/1.2&2.7/1.35	LINE OR INVERTER	CONT	F	1.15	40	3300

F.L. EFF	81.6	3/4 LD EFF	81.2	1/2 LD EFF	79.5	GTD EFF	ELECT. TYPE
F.L. PF	72.3	3/4 LD PF	66.6	1/2 LD PF	54.3	0.0	SQ CAGE INV RATED

F.L. TORQUE	LR AMPS @ 460 V	L.R. TORQUE	B.D. TORQUE	F.L. RISE (°C)
574 LB-FT	8.0	1,690 LB-FT 294%	2,168 LB-FT 378%	32

PRESSURE @ 3	POWER	ROTOR WK²	MAX. LOAD WK²	SAFE STALL TIME	STARTS/HOUR	MOTOR WGT
0 dBA	9 dBA	0.08 LB-FT²	0.1 LB-FT²	10 SEC.	0	0 LB.

***** SUPPLEMENTAL INFORMATION *****

DE BRACKET TYPE	ODE BRACKET TYPE	MOUNT TYPE	MOTOR ORIENTATION	SEVERE DUTY	HAZARDOUS LOCATION	DRIP COVER	SCREENS	PAINT
C-FACE	STANDARD	RIGID	HORIZONTAL	NO	NONE	NO	NONE	IN - LEESON WATTS

BEARINGS		GREASE	SHAFT TYPE	SPECIAL DE	SPECIAL ODE	SHAFT MATERIAL	FRAME MATERIAL
DE	ODE	POLYREX EM	STANDARD 56	NONE	NONE	1144 STRESSPROOF (C-223)	ROLLED STEEL
BALL	BALL						
6203	6203						

THERMOSTATS	PROTECTORS	WDG RTD's	BRG RTD's	THERMISTORS	CONTROL	SPACE HEATERS
TSTATS (N/C)	AUTOMATIC	NONE	NONE	NONE	FALSE	NA

R1 (ohms/ph)	R2 (ohms/ph)	X1 (ohms/ph)	X2 (ohms/ph)	Xm (ohms/ph)	VIBRATION (in/sec)	FLOAT
0	0	0	0	0	0.080	ODE

* N O T E S *	INVERTER TORQUE: CONSTANT 10:1 INV. HP SPEED RANGE: 1.5 X BASE SPEED	
	ENCODER: NONE	
	NONE	
	NONE	
	NONE PPR	

DATE: 1/23/2018	BRAKE: NONE	
	NONE	
	FT-LB: NA	NONE
	VOLTAGE: NONE	HZ:
UL: Y-(LEESON UL REC)		

Data Sheet

Date: 1/23/2018

114624.00



Data @ 460 V

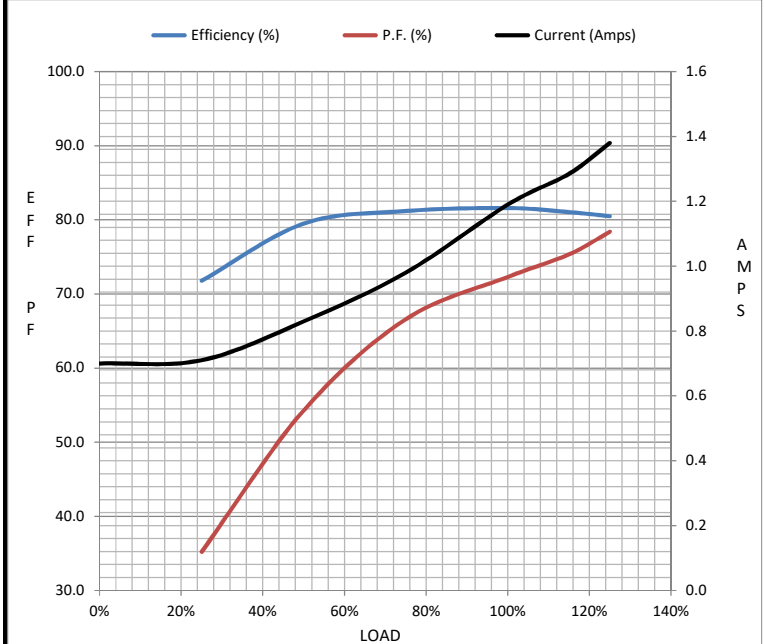
Motor Load Data

Load	0%	25%	50%	75%	100%	115%	125%	LR
Current (Amps)	0.70	0.71	0.83	0.98	1.19	1.29	1.38	8.0
Torque (ft-lb)	0.00	143	287	430	574	10,289	717	1,690
RPM	1800	1787	1775	1760	1744	1,738	1730	0
Efficiency (%)		71.8	79.5	81.2	81.6	81.1	80.5	
P.F. (%)	11.7	35.2	54.3	66.6	72.3	75.4	78.4	0.0

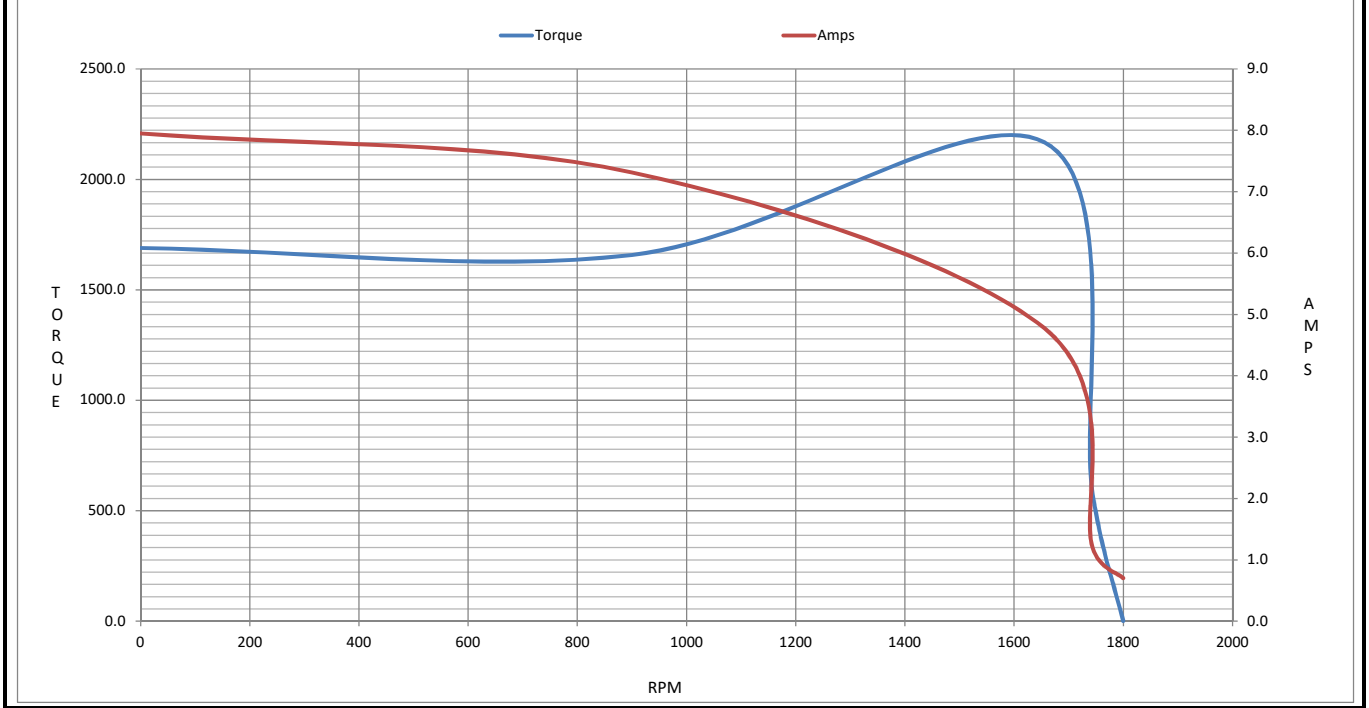
Motor Speed Data

	LR	Pull-Up	BD	Rated	Idle
Speed (RPM)	0	900	1656	1744	1800
Current (Amps)	8.0	7.3	4.8	1.19	0.70
Torque (ft-lb)	1,690	1,658	2,168	574	0.00

Information Block				
HP	0.8			
Sync. RPM	1800			
Frame	140			
Enclosure	TEFC			
Construction	NA			
Voltage	208-230/460#190/380 V			
Frequency	60 Hz			
Design	B			
LR Code letter	K			
Service Factor	1.15			
Temp Rise @ FL	32 °C			
Duty	CONT			
Ambient	40 °C			
Elevation	1,000 feet			
Rotor/Shaft wk ²	0.08 Lb-Ft ²			
Ref Wdg	T634302 FR			
Sound Pressure @ 1M	0 dBA			
VFD Rating	CONSTANT 10:1			
Outline Dwg	028784-575			
Conn. Diag	005010.20			
Additional Specifications:				
0				
0				
EQUIV CKT (OHMS / PHASE)				
R1	R2	X1	X2	Xm
0.0000	0.0000	0.0000	0.0000	0.0000



Speed - Torque Curve



EC Declaration of Conformity

The undersigned representing
the manufacturer:

Regal Beloit America
100 East Randolph St.
Wausau, WI 54401

and the authorized representative
established within the Community:

Marathon Electric UK
6F Thistleton Road Ind. Estate
Market Overton
Oakham, Rutland LE15 7PP UK

are committed to providing customers with products that comply with applicable regulations and international protocols to which they are subject, including the requirements of the European Parliament Directive on the Harmonization of the laws relating to electrical equipment designed for use within certain voltage limits (2014/35/EU).

Regal Beloit America declares that the following product(s), to which this declaration relates, are in conformity with the relevant sections of the EC standards listed below.

This statement supersedes any statements previously issued pertaining to the product(s) listed below and is subject to change without notice.

Model No : 114624.00

(Model No. may contain prefix and/or suffix characters)

Catalog No : 114624.00

Rework No : N/A

Directives :

Low Voltage Directive 2014/35/EU

Harmonized Standards Used :

EN 60034-1: 2010 (IEC 60034-1: 2010)

EN 60034-5: 2001/A1:2007 (IEC 60034-5: 2000/A1:2006)

Authorized Representative:



Michael A. Logsdon
Vice President, Technology

Authorized Representative in the Community:



Julian Clark
Marketing Engineer

Created on 09/01/2022

CE 22