

PRODUCT INFORMATION PACKET



Model No: 115826.00
Catalog No: 115826.00
2 HP General Purpose Motor, 3 phase, 1800 RPM, 230/460 V, 56HZ Frame, ODP
General Purpose Motors



Regal and Leeson are trademarks of Regal Rexnord Corporation or one of its affiliated companies.
©2021 Regal Rexnord Corporation, All Rights Reserved. MC017097E





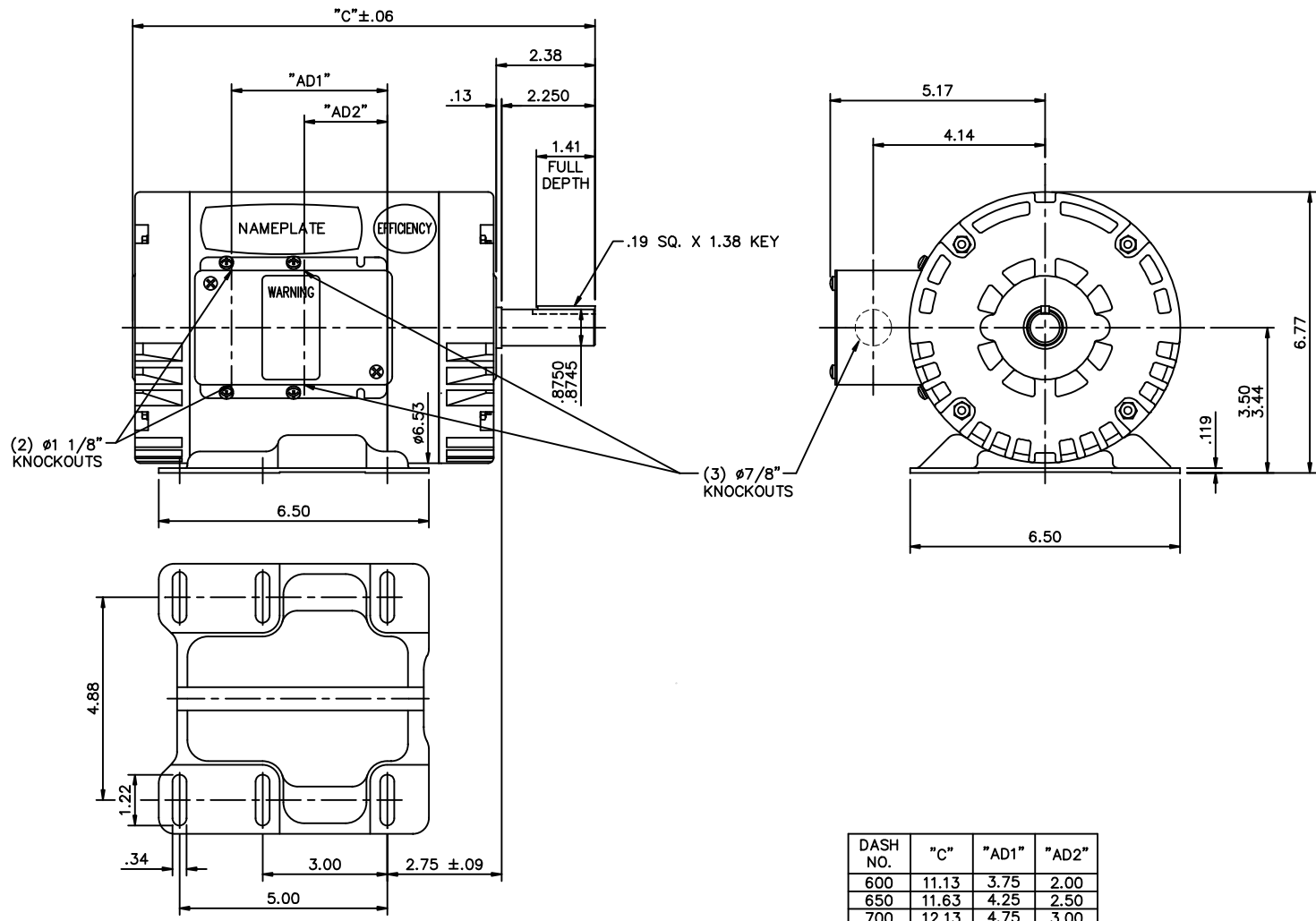
Nameplate Specifications

| | | | |
|------------------------|------------|----------------------------|------------|
| Output HP | 2 Hp | Output KW | 1.5 kW |
| Frequency | 60 Hz | Voltage | 230/460 V |
| Current | 6.2/3.1 A | Speed | 1725 rpm |
| Service Factor | 1.15 | Phase | 3 |
| Efficiency | 78.5 % | Power Factor | 77 |
| Duty | Continuous | Insulation Class | B |
| Design Code | B | KVA Code | J |
| Frame | 56HZ | Enclosure | Drip Proof |
| Thermal Protection | No | Ambient Temperature | 40 °C |
| Drive End Bearing Size | 6205 | Opp Drive End Bearing Size | 6203 |
| UL | Recognized | CSA | Y |
| CE | N | IP Code | 22 |
| Number of Speeds | 1 | | |

Technical Specifications

| | | | |
|-----------------------|-----------------------------|-----------------------|-----------------|
| Electrical Type | Squirrel Cage Induction Run | Starting Method | Across The Line |
| Poles | 4 | Rotation | Reversible |
| Resistance Main | 9.04 Ohms | Mounting | Rigid Base |
| Motor Orientation | Horizontal | Drive End Bearing | Ball |
| Opp Drive End Bearing | Ball | Frame Material | Rolled Steel |
| Shaft Type | NEMA 145T | Overall Length | 11.63 in |
| Frame Length | 6.50 in | Shaft Diameter | 0.875 in |
| Shaft Extension | 2.25 in | Assembly/Box Mounting | F1 ONLY |
| Connection Drawing | 005010.01 | Outline Drawing | 029015-650 |

This is an uncontrolled document once printed or downloaded and is subject to change without notice. Date Created:10/07/2021



| DASH NO. | "C" | "AD1" | "AD2" |
|----------|-------|-------|-------|
| 600 | 11.13 | 3.75 | 2.00 |
| 650 | 11.63 | 4.25 | 2.50 |
| 700 | 12.13 | 4.75 | 3.00 |
| 750 | 12.63 | 5.25 | 3.50 |
| 800 | 13.13 | 5.75 | 4.00 |
| 850 | 13.63 | 6.25 | 4.50 |

| NO. | REVISION | BY & DATE | CHK | ANG | ±1/2" | FINISH | MAT'L | TITLE | SCALE | REV | |
|--|----------|-----------|-----|-----|-------|--------|----------|---|----------------------|-------------|------|
| | | | | | | | | LEESON ELECTRIC MOTORS GEARMOTORS AND DRIVES | | | |
| | | | | | | | | | OUTLINE - 56HZ FRAME | 3=8 | |
| | | | | | | | | | DRIP PROOF - RIGID | | |
| | | | | | | | | | GENERAL PURPOSE | | |
| THIS DRAWING IN DESIGN AND DETAIL IS OUR PROPERTY AND MUST NOT BE USED EXCEPT IN CONNECTION WITH OUR WORK ALL RIGHTS OF DESIGN AND INVENTION ARE RESERVED THIS IS AN ELECTRONICALLY GENERATED DOCUMENT - DO NOT SCALE THIS PRINT | | | | | | RFP | CAD FILE | 029015 | SIZE | DRAWING NO. | REV. |
| | | | | | | DIST | BRF-NLV | | B | 029015 | |

005010-01

VIEW FROM OUTSIDE OF MOTOR AT SWITCH END.



| VOLTAGE | L1 | L2 | L3 | JOIN & INSULATE |
|---------|-------|-------|-------|-------------------------------|
| HIGH | T1 | T2 | T3 | (T4,T7) (T5,T8) (T6,T9) |
| LOW | T1,T7 | T2,T8 | T3,T9 | T4,T5,T6 |

| | | | | | | | | | | | | |
|--|-----------------------|--|--|--------------------------------|----------|--|----------|--------------------|-----------------------|------|-------------|------|
| | | | | TOLERANCES UNLESS SPECIFIED | | REGAL ™ Regal Beloit America, Inc. | | DRAWN RDW 04/12/02 | | | | |
| | | | | DEC. | INCHES | | | CHK | | | | |
| | | | | .X | ±.1 | | | APPD | | | | |
| | | | | .XX | ±.01 | | | SCALE 1=1 | | | | |
| | | | | .XXX | ±.005 | TITLE | | REF FIG.2-51 | | | | |
| A | UPDATED TO REGAL LOGO | | | SAJ | 06/26/15 | AJY | .XXXX | ±.0005 | MAT'L. DECAL - 004014 | FMF | | |
| NO. | REVISION | | | BY & DATE | CHK | ANG | ±1/2" | FINISH | PREV | | | |
| THIS DRAWING IN DESIGN AND DETAIL IS OUR PROPERTY AND MUST NOT BE USED EXCEPT IN CONNECTION WITH OUR WORK ALL RIGHTS OF DESIGN AND INVENTION ARE RESERVED THIS IS AN ELECTRONICALLY GENERATED DOCUMENT - DO NOT SCALE THIS PRINT | | | | RFP | 04/12/02 | | CAD FILE | 00501001 | | SIZE | DRAWING NO. | REV. |
| | | | | DIST | BRF-NLV | | | A | 005010-01 | | A | |



CERTIFICATION DATA SHEET

1051 CHEYENNE AVE.
GRAFTON, WI 53024
PH. 262-377-8810

CONN. DIAGRAM: 005010.01

CATALOG #: 115826.00

OUTLINE: 029015-650

MOUNTING: F1 ONLY

WINDING #: T634190 DR 3 B

TYPICAL MOTOR PERFORMANCE DATA

| HP | kW | SYNC. RPM | F.L. RPM | FRAME | ENCLOSURE | KVA CODE | DESIGN |
|----|------|-----------|----------|-------|-----------|----------|--------|
| 2 | 1.49 | 1800 | 1725 | 56HZ | DP | J | B |

| PH | Hz | VOLTS | AMPS | START TYPE | DUTY | INSL | S.F. | AMB°C |
|----|----|---------|---------|-----------------|------------|------|------|-------|
| 3 | 60 | 230/460 | 6.2/3.1 | ACROSS THE LINE | CONTINUOUS | B4 | 1.15 | 40 |

| FULL LOAD EFF: | 78.5 | 3/4 LOAD EFF: | 80.1 | 1/2 LOAD EFF: | 76 | GTD. EFF | | ELEC. TYPE | |
|----------------|------|---------------|------|---------------|------|----------|--|-----------------|--|
| FULL LOAD PF: | 77 | 3/4 LOAD PF: | 65 | 1/2 LOAD PF: | 53.5 | 0 | | SQ CAGE IND RUN | |

| F.L. TORQUE | LOCKED ROTOR AMPS | L,R. TORQUE | B,D. TORQUE | F.L. RISE°C |
|-------------|-------------------|------------------|-------------------|-------------|
| 6 LB-FT | 41.6 / 20.8 | 17.2 LB-FT 287 % | 21.35 LB-FT 356 % | 58 |

| SOUND PRESSURE @ 3 FT. | SOUND POWER | ROTOR WK^2 | MAX. WK^2 | SAFE STALL TIME | STARTS / HOUR | APPROX. MOTOR WGT |
|------------------------|-------------|--------------|-------------|-----------------|---------------|-------------------|
| 0 dBA | 10 dBA | 0.11 LB-FT^2 | 0.1 LB-FT^2 | 10 SEC. | 0 | 0 LBS. |

*** SUPPLEMENTAL INFORMATION ***

| DE BRACKET TYPE | ODE BRACKET TYPE | MOUNT TYPE | ORIENTATION | SEVERE DUTY | HAZARDOUS LOCATION | DRIP COVER | SCREENS | PAINT |
|-----------------|------------------|------------|-------------|-------------|--------------------|------------|---------|------------------------|
| STANDARD | STANDARD | RIGID | HORIZONTAL | FALSE | NONE | FALSE | NONE | BLUE - LEESON (ENAMEL) |

| BEARINGS | | GREASE | SHAFT TYPE | SPECIAL DE | SPECIAL ODE | SHAFT MATERIAL | FRAME MATERIAL |
|----------|------|------------|-------------|------------|-------------|--------------------------|----------------|
| DE | ODE | | | | | | |
| BALL | BALL | POLYREX EM | SGL SPL EXT | 140T | NONE | 1144 STRESSPROOF (C-223) | ROLLED STEEL |
| 6205 | 6203 | | | | | | |

| THERMO-PROTECTORS | | | | THERMISTORS | CONTROL | SPACE HEATERS |
|-------------------|------------|----------|----------|-------------|---------|---------------|
| THERMOSTATS | PROTECTORS | WDG RTDs | BRG RTDs | | | |
| NONE | NOT | NONE | NONE | NONE | FALSE | NONE VOLTS |

*
N
O
T
E
S

| |
|---------------------------|
| INVERTER TORQUE: NONE |
| INV. HP SPEED RANGE: NONE |
| ENCODER: NONE |
| NONE NONE |
| NONE NONE PPR |
| BRAKE: NONE NONE |
| NONE P/N NONE |
| NONE NONE |
| NONE FT-LB NONE V NONE HZ |

Data Sheet

Date: 1/29/2018

115826.00



Data @ 460 V

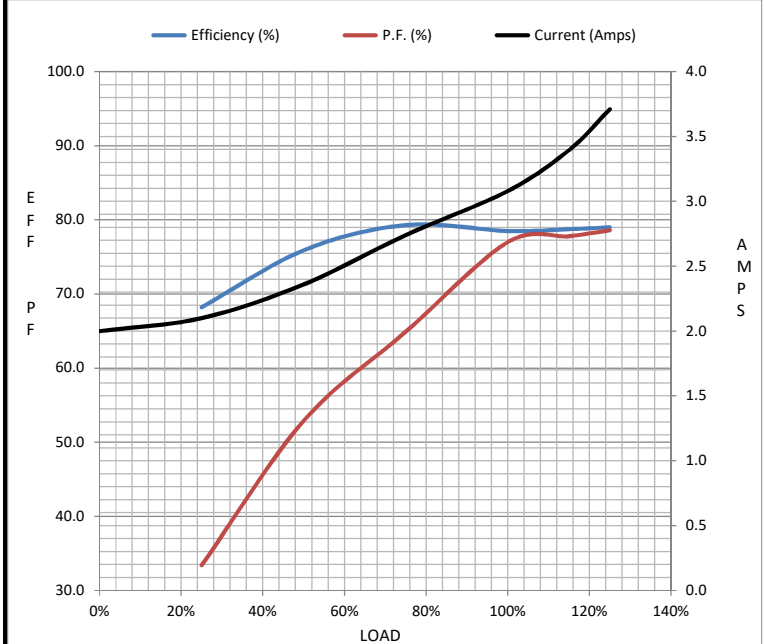
Motor Load Data

| Load | 0% | 25% | 50% | 75% | 100% | 115% | 125% | LR |
|----------------|------|------|------|------|------|-------|------|------|
| Current (Amps) | 2.00 | 2.10 | 2.36 | 2.74 | 3.1 | 3.4 | 3.7 | 20.0 |
| Torque (ft-lb) | 0.00 | 1.50 | 3.0 | 4.5 | 6.0 | 6.8 | 7.5 | 17.2 |
| RPM | 1800 | 1786 | 1770 | 1757 | 1740 | 1.733 | 1723 | 0 |
| Efficiency (%) | | 68.2 | 75.9 | 79.3 | 78.5 | 78.8 | 79.0 | |
| P.F. (%) | 12.6 | 33.4 | 52.9 | 64.9 | 77.0 | 77.8 | 78.6 | 0.0 |

Motor Speed Data

| | LR | Pull-Up | BD | Rated | Idle |
|----------------|------|---------|------|-------|------|
| Speed (RPM) | 0 | 900 | 1656 | 1740 | 1800 |
| Current (Amps) | 20.0 | 18.4 | 12.0 | 3.1 | 2.00 |
| Torque (ft-lb) | 17.2 | 17.0 | 21.4 | 6.0 | 0.00 |

| Information Block | | | | |
|-----------------------------|-------------------------|--------|--------|--------|
| HP | 2.0 | | | |
| Sync. RPM | 1800 | | | |
| Frame | 140 | | | |
| Enclosure | DP | | | |
| Construction | TDR | | | |
| Voltage | 230/460 V | | | |
| Frequency | 60 Hz | | | |
| Design | B | | | |
| LR Code letter | J | | | |
| Service Factor | 1.0 | | | |
| Temp Rise @ FL | 80 °C | | | |
| Duty | CONT | | | |
| Ambient | 40 °C | | | |
| Elevation | 1,000 feet | | | |
| Rotor/Shaft wk ² | 0.11 Lb-Ft ² | | | |
| Ref Wdg | T634190 DR | | | |
| Sound Pressure @ 1M | 0 dBA | | | |
| VFD Rating | NONE | | | |
| Outline Dwg | 029015-650 | | | |
| Conn. Diag | 005010.01 | | | |
| Additional Specifications: | | | | |
| 0 | | | | |
| 0 | | | | |
| EQUIV CKT (OHMS / PHASE) | | | | |
| R1 | R2 | X1 | X2 | Xm |
| 0.0000 | 0.0000 | 0.0000 | 0.0000 | 0.0000 |



Speed - Torque Curve

