

# PRODUCT INFORMATION PACKET

Model No: 121968.00

Catalog No: 121968.00

General Purpose Motor, 3 HP, 3 Ph, 60 Hz, 230/460 V, 3600 RPM, 145T Frame, TEFC



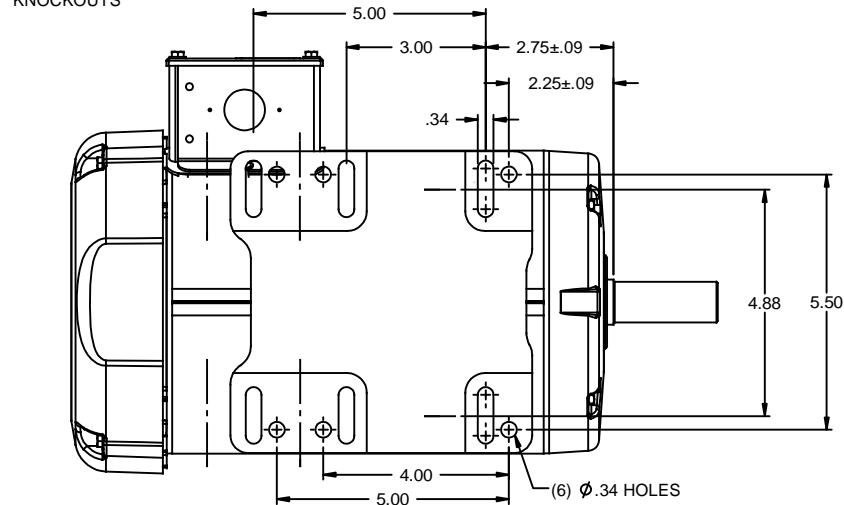
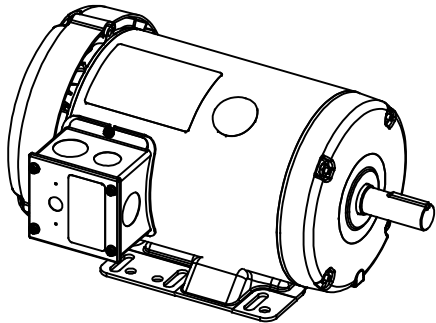
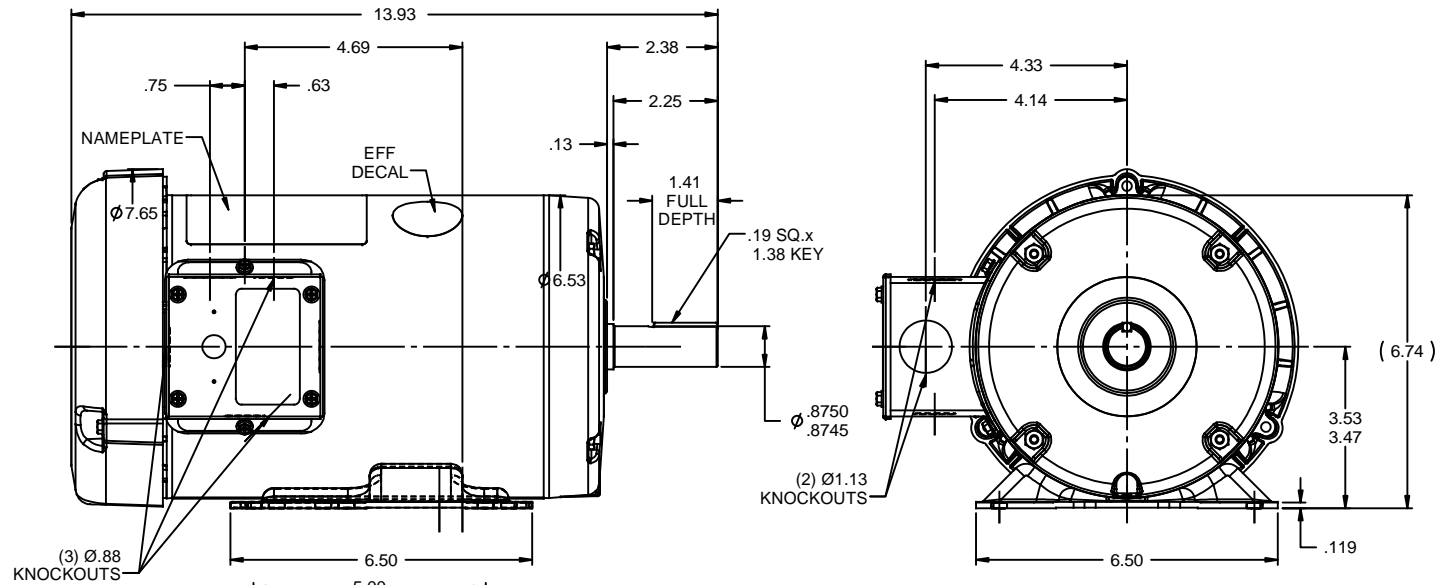
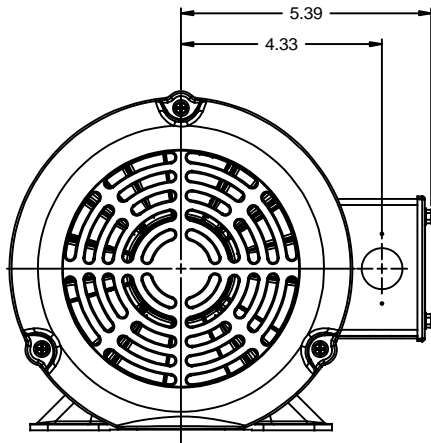
Regal and are trademarks of Regal Rexnord Corporation or one of its affiliated companies.  
©2022 Regal Rexnord Corporation, All Rights Reserved. MC017097E

**Nameplate Specifications**

|                        |                   |                            |                                    |
|------------------------|-------------------|----------------------------|------------------------------------|
| Output HP              | <b>3 Hp</b>       | Output KW                  | <b>2.2 kW</b>                      |
| Frequency              | <b>60 Hz</b>      | Voltage                    | <b>230/460 V</b>                   |
| Current                | <b>8.0/4.0 A</b>  | Speed                      | <b>3490 rpm</b>                    |
| Service Factor         | <b>1.15</b>       | Phase                      | <b>3</b>                           |
| Efficiency             | <b>86.5 %</b>     | Power Factor               | <b>86</b>                          |
| Duty                   | <b>Continuous</b> | Insulation Class           | <b>F</b>                           |
| Design Code            | <b>A</b>          | KVA Code                   | <b>N</b>                           |
| Frame                  | <b>145T</b>       | Enclosure                  | <b>Totally Enclosed Fan Cooled</b> |
| Thermal Protection     | <b>Thermostat</b> | Ambient Temperature        | <b>40 °C</b>                       |
| Drive End Bearing Size | <b>6205</b>       | Opp Drive End Bearing Size | <b>6203</b>                        |
| UL                     | <b>Recognized</b> | CSA                        | <b>Y</b>                           |
| CE                     | <b>Y</b>          | IP Code                    | <b>43</b>                          |
| Number of Speeds       | <b>1</b>          |                            |                                    |

**Technical Specifications**

|                       |                                    |                       |                        |
|-----------------------|------------------------------------|-----------------------|------------------------|
| Electrical Type       | <b>Squirrel Cage Induction Run</b> | Starting Method       | <b>Across The Line</b> |
| Poles                 | <b>2</b>                           | Rotation              | <b>Reversible</b>      |
| Resistance Main       | <b>3.83 Ohms</b>                   | Mounting              | <b>Rigid Base</b>      |
| Motor Orientation     | <b>Horizontal</b>                  | Drive End Bearing     | <b>Ball</b>            |
| Opp Drive End Bearing | <b>Ball</b>                        | Frame Material        | <b>Rolled Steel</b>    |
| Shaft Type            | <b>T</b>                           | Overall Length        | <b>13.93 in</b>        |
| Frame Length          | <b>8.00 in</b>                     | Shaft Diameter        | <b>0.875 in</b>        |
| Shaft Extension       | <b>2.25 in</b>                     | Assembly/Box Mounting | <b>F1 ONLY</b>         |
| Outline Drawing       | <b>OL121968</b>                    | Connection Drawing    | <b>005010.20</b>       |



NOTE:  
1) GASKETS THROUGHOUT

RBC PROPRIETARY AND CONFIDENTIAL INFORMATION  
This document is the property of REGAL BELOIT CORPORATION ("RBC") including its subsidiaries and divisions and contains proprietary information of RBC. This document is loaned on the express condition that neither it nor the information contained therein shall be disclosed to others without the express written consent of RBC, and that the information shall be used by the recipient only as approved expressly by RBC. This document shall be returned to RBC upon its request. This document may be subject to certain restrictions under U.S. export control laws and regulations.

| REVISION               |  | BY & DATE | CHK               | ANG | ±1/2"    | FINISH | GENERAL PURPOSE | PAGE | OF         |
|------------------------|--|-----------|-------------------|-----|----------|--------|-----------------|------|------------|
| NO                     |  |           | RFP               |     |          | PREV   |                 |      |            |
| THIRD ANGLE PROJECTION |  |           |                   |     |          |        |                 |      |            |
|                        |  |           | NETWORK FILE NAME |     | OL121968 |        |                 | SIZE | DRAWING NO |
|                        |  |           |                   |     |          |        |                 | B    | OL121968   |
|                        |  |           |                   |     |          |        |                 |      | REV        |



**ELECTRIC MOTORS  
GEARMOTORS  
AND DRIVES**

DRAWN JD 07/14/2011

CHK

APPR

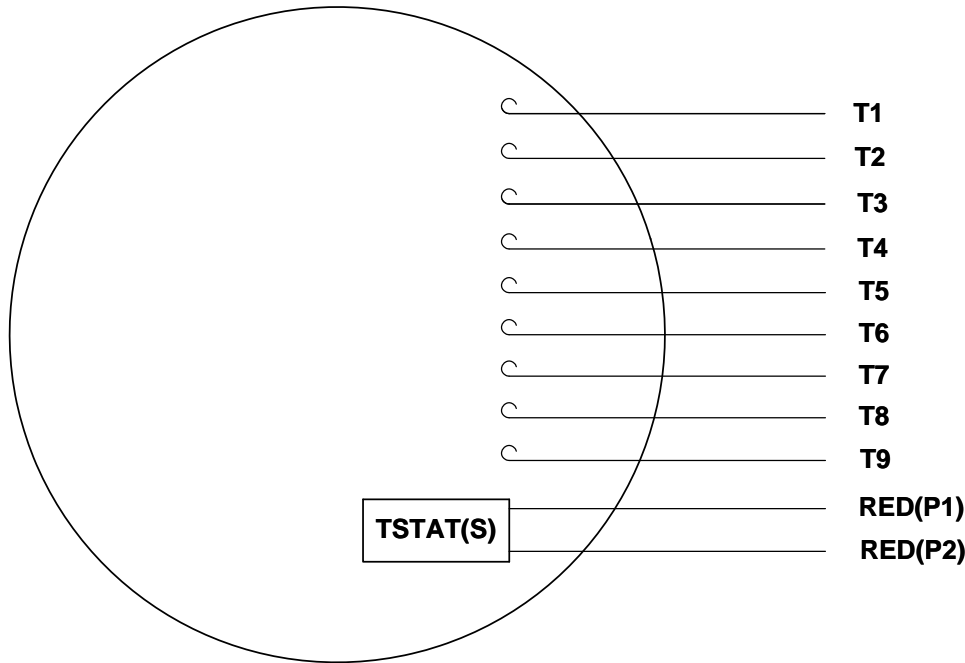
SCALE 3:8

REF 028765

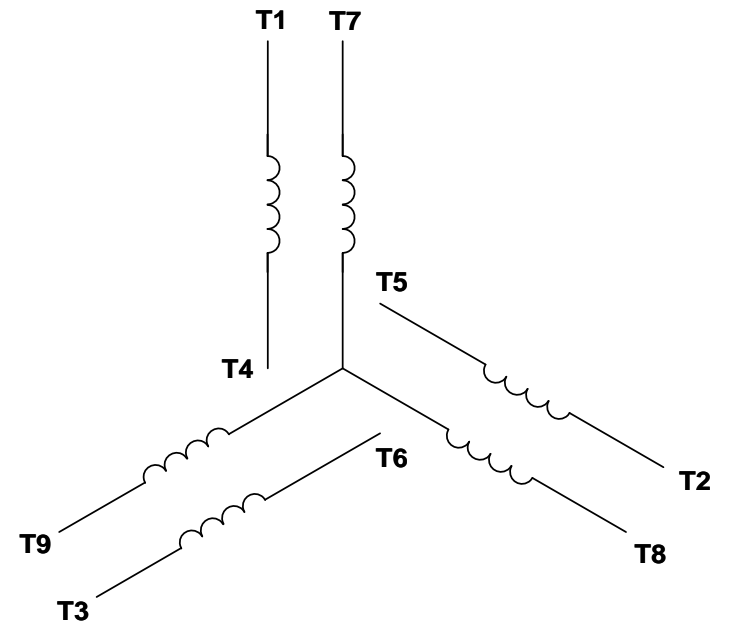
FMF 121968.00

PAGE OF

VIEW FROM OUTSIDE OF MOTOR AT SWITCH END. Uncontrolled Copy



LINE LEADS



| VOLTAGE | L1    | L2    | L3    | JOIN & INSULATE               |
|---------|-------|-------|-------|-------------------------------|
| HIGH    | T1    | T2    | T3    | (T4,T7)<br>(T5,T8)<br>(T6,T9) |
| LOW     | T1,T7 | T2,T8 | T3,T9 | T4,T5,T6                      |

|                              |                           |                           |
|------------------------------|---------------------------|---------------------------|
| DRAWING REVISION<br><b>G</b> | REVISION BY<br><b>MVG</b> | DATE<br><b>04/05/2017</b> |
| ECO<br><b>ECO-0121253</b>    | APPROVED BY<br><b>SM</b>  | DATE<br><b>04/05/2017</b> |

ECO DESCRIPTION  
**ADDED P1 & P2 FOR TSTAT**

COPYRIGHT REGAL BELOIT AMERICA, INC. ALL RIGHTS RESERVED.  
PROPRIETARY AND CONFIDENTIAL INFORMATION - THIS DOCUMENT IS THE PROPERTY OF  
REGAL BELOIT AMERICA, INC. ('OWNER') AND CONTAINS OWNER'S PROPRIETARY  
INFORMATION. ANY PERSON, CORPORATION OR OTHER FIRM RECEIVING IT IS DEEMED,  
BY RECEIVING IT, TO AGREE THAT IT, AND/OR ANY PART OF IT, SHALL NOT BE DISCLOSED  
TO ANY PERSON, CORPORATION OR OTHER ENTITY, DUPLICATED, AND/OR USED, EXCEPT  
AS EXPRESSLY APPROVED IN WRITING IN ADVANCE BY OWNER. THIS DOCUMENT SHALL  
BE RETURNED TO OWNER UPON REQUEST. IT MAY BE SUBJECT TO CERTAIN  
RESTRICTIONS UNDER APPLICABLE EXPORT CONTROL LAWS AND REGULATIONS.

TOLERANCES UNLESS OTHERWISE SPECIFIED:

| DEC.  | INCH    | mm        | ANGLE |
|-------|---------|-----------|-------|
| .X    | ±0.1    | [±2.5]    | ±0.5° |
| .XX   | ±0.01   | [±0.25]   |       |
| .XXX  | ±0.005  | [±0.127]  |       |
| .XXXX | ±0.0005 | [±0.0127] |       |

**REMOVE BURRS & BREAK SHARP EDGES: .003/.015 [.076/.381] X 45°**  
**CORNER FILLETS: R.02 [.51]**  
**MACHINED SURFACES: 125/3.2 INCH/mm**

mm SHOWN IN [BRACKETS]

|                                   |
|-----------------------------------|
| DRAWN BY<br><b>DBT 12/16/97</b>   |
| DATE                              |
| APPROVED BY<br><b>KH 12/17/97</b> |
| DATE                              |
| REFERENCE                         |
| THIRD ANGLE PROJECTION            |

**REGAL**™ Regal Beloit America, Inc.

DESCRIPTION  
**CONN DIAGRAM-EXTERNAL**  
3 PHASE WITH PROTECTOR

|  |                                   |
|--|-----------------------------------|
| MATERIAL<br><b>DECAL - 004014 (TSTAT) - 080582</b> | PROCESS/FINISH<br><b>STOCK</b>    |
| SIZE<br><b>A</b>                                   | DRAWING NUMBER<br><b>00501020</b> |
| SHEET<br><b>1 OF 1</b>                             |                                   |

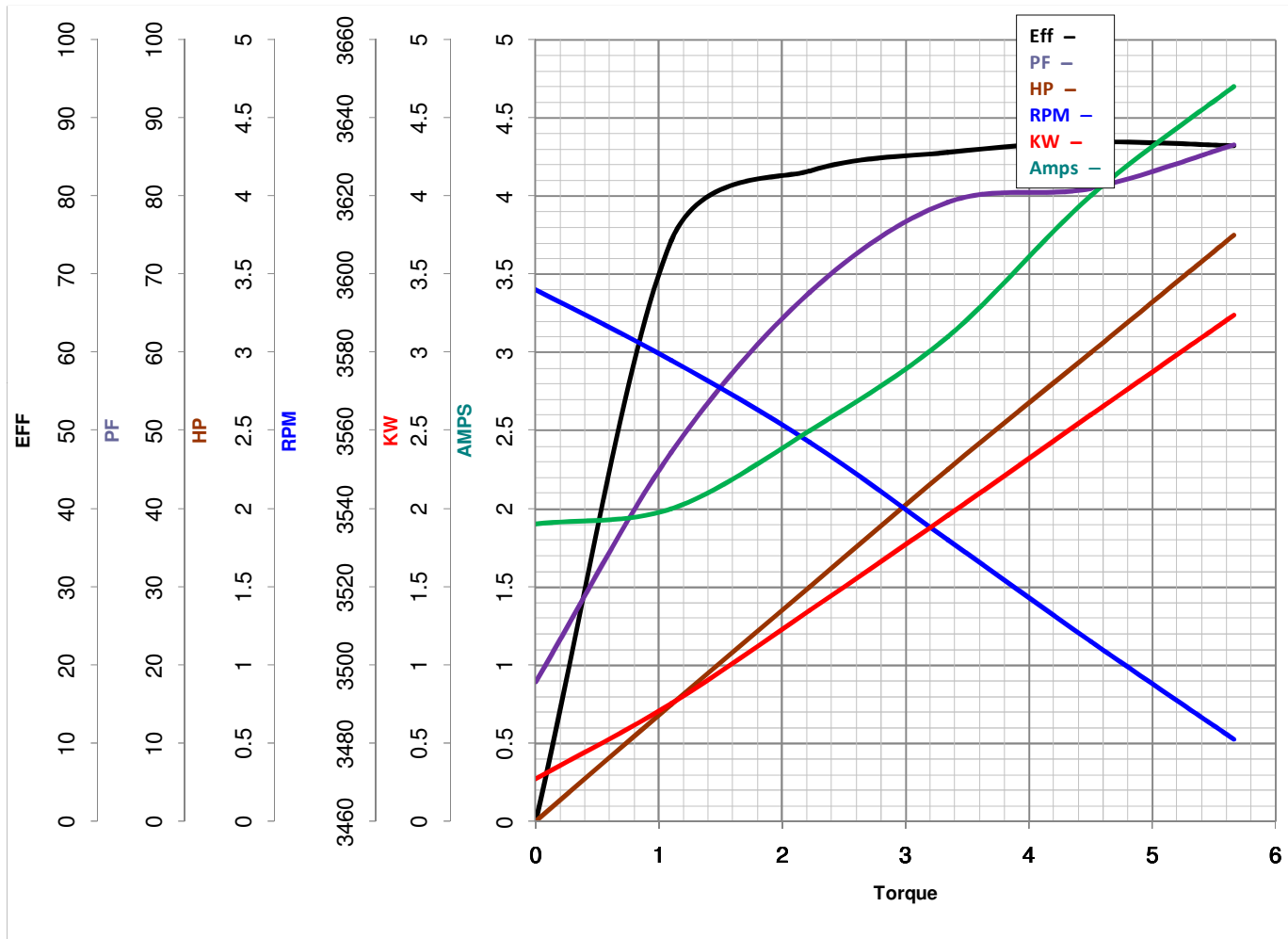


**LEESON ELECTRIC CORPORATION**  
TYPICAL PERFORMANCE CURVE for AC MOTOR

Model No 121968.00

Catalog No 121968.00

Curve at 460 Volts      HP 3.00      PHASE 3  
60 HZ  
3 HP      VOLTS 230/460  
HZ 60      RPM 3490



Torque in Lb.Ft

FL TORQUE 4.5 Lb.Ft  
BD TORQUE 20.8 Lb.Ft  
LR TORQUE 17.97 Lb.Ft

FL AMPS 43316  
PU TORQUE 17.5 Lb.Ft  
LR AMPS 41

WINDING T632209-3

Date 6/5/2018

## EC Declaration of Conformity

The undersigned representing  
the manufacturer:

Regal Beloit America  
100 East Randolph St.  
Wausau, WI 54401

and the authorized representative  
established within the Community:

Marathon Electric UK  
6F Thistleton Road Ind. Estate  
Market Overton  
Oakham, Rutland LE15 7PP UK

are committed to providing customers with products that comply with applicable regulations and international protocols to which they are subject, including the requirements of the European Parliament Directive on the Harmonization of the laws relating to electrical equipment designed for use within certain voltage limits (2014/35/EU).

Regal Beloit America declares that the following product(s), to which this declaration relates, are in conformity with the relevant sections of the EC standards listed below.

This statement supersedes any statements previously issued pertaining to the product(s) listed below and is subject to change without notice.

Model No : 121968.00

(Model No. may contain prefix and/or suffix characters)

Catalog No : 121968.00

Rework No : N/A

Directives :

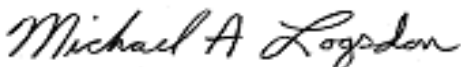
Low Voltage Directive 2014/35/EU

Harmonized Standards Used :

EN 60034-1: 2010 (IEC 60034-1: 2010)

EN 60034-5: 2001/A1:2007 (IEC 60034-5: 2000/A1:2006)

Authorized Representative:



Michael A. Logsdon  
Vice President, Technology

Authorized Representative in the Community:



Julian Clark  
Marketing Engineer

Created on 09/01/2022

**CE 22**