

**BALDOR® • RELIANCE** 

**Product Information Packet**

**1454**

**7.5HP, 1500/1800RPM, 3PH, 50/60HZ, 3744M**

Part Detail							
Revision:	Z	Status:	PRD/A	Change #:		Proprietary:	No
Type:	AC	Elec. Spec:	G4WG0037	CD Diagram:	CD0258	Mfg Plant:	
Mech. Spec:	G14-117	Layout:	G4LY0117	Poles:	04	Created Date:	
Base:	RG	Eff. Date:	02-11-2022	Leads:	9#14 11"FROM ENDTURN		Y

Specs			
Nameplate Output:	7.5		
Product Style:	GRINDER		

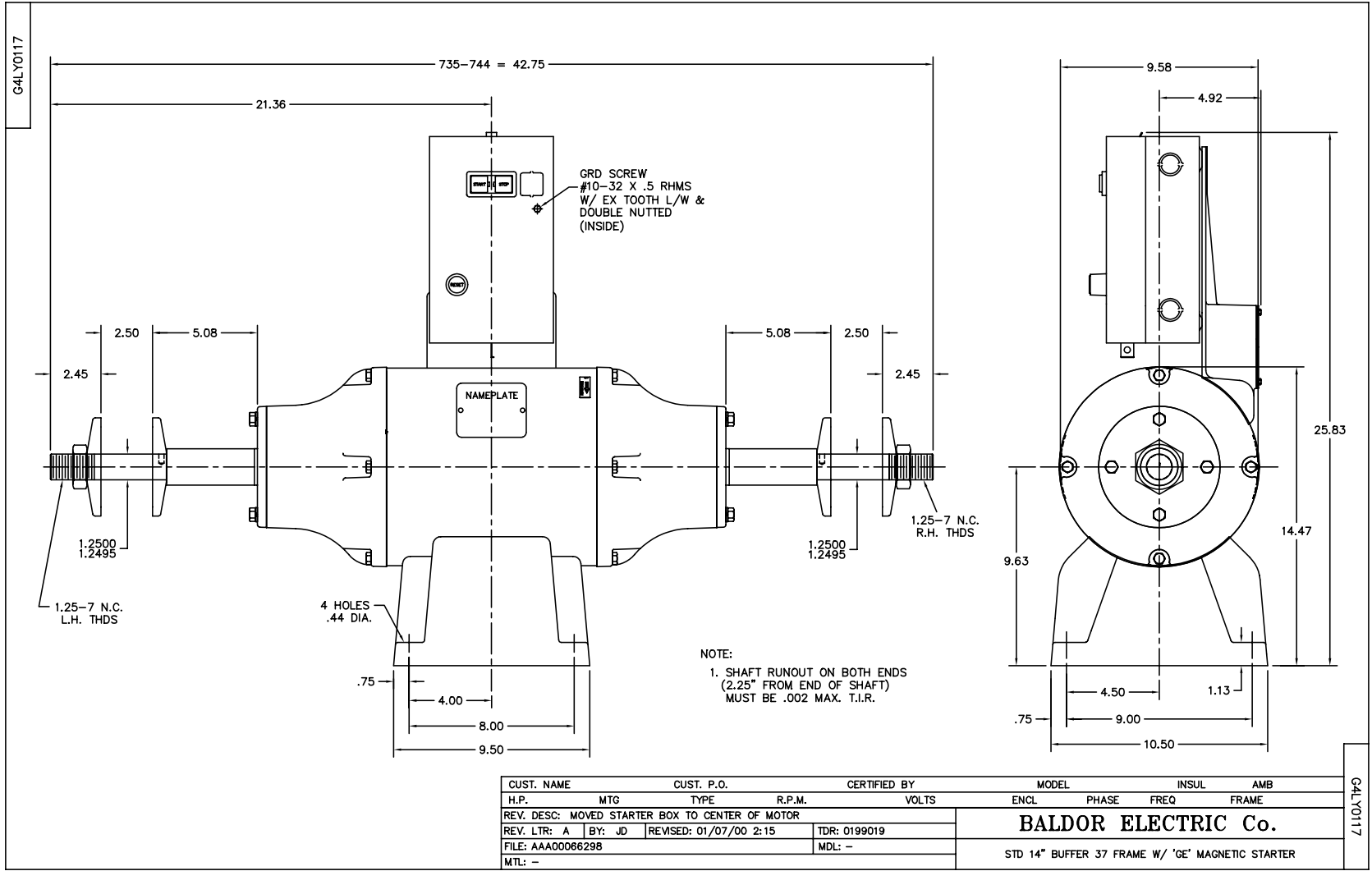
Nameplate NP3411L	
CAT.NO.	1454
HP	7.5
PHASE	3
HZ	50//60
SER.NO	
SPEC.	G14-117A-0037G1
BLANK	
	VOLTS 230
	AMPS 20
	RPM 1500//1800

Parts List		
Part Number	Description	Quantity
SA051921	SA G14-117A-0037G1	1.000 EA
RA046746	RA G14-117A-0037G1	1.000 EA
G4BA1000A01	BASE, MACH	1.000 EA
19XA3812A20	38-12X1 1/4 HEX WSHR HD TYPE AB	4.000 EA
HW1001A38	LOCKWASHER 3/8, ZINC PLT .688 OD, .382 I	4.000 EA
G4GS5000	G14-23 GASKET X	1.000 EA
19XB2514A20	1/4-14X1-1/4 HX WS, TY B	2.000 EA
HW1001A25	LOCKWASHER 1/4, ZINC PLT .493 OD, .255 I	2.000 EA
HA2025A01	LEAD BUSHING	1.000 EA
RM1006A01	GROMMET,#2196:.75ID,.9375GROOVE DIA,.062	1.000 EA
52XN1032A04	10-32X1/4 HX HD SLTD SER X	3.000 EA
52XN1032A08	SCREW, SER HX SLT HD, ZN X	1.000 EA
XY1032A02	10-32 HEX NUT DIRECTIONAL SERRATION	2.000 EA
36CB4516	750LIPPED CB LID - GALVANNEAL	1.000 EA
37GS1001	GASKET, CONDUIT BOX LID, .06 THICK LEXID	1.000 EA
51XW0832A07	8-32 X .44, TAPTITE II, HEX WSHR SLTD SE	4.000 EA
G4EP1900A01	ENDPLATE, MACH	2.000 EA
HW5100A11	W3917-042 WVY WSHR (WB)	2.000 EA
HA1000A59	.020 BEARING GUARD 3.931 OD	2.000 EA
HA3104A14	THRUBOLT- 5/16-18 X12.125(OHIO)	4.000 EA
HW1001A31	LOCKWASHER 5/16, ZINC PLT.591 OD, .319 I	4.000 EA
XY3118A12	5/16-18 HEX NUT DIRECTIONAL SERRATION	4.000 EA
10XN3816A20	3/8-16X1 1/4 HEX HD CAP	8.000 EA
HW1001A38	LOCKWASHER 3/8, ZINC PLT .688 OD, .382 I	8.000 EA

<b>Parts List (continued)</b>		
<b>Part Number</b>	<b>Description</b>	<b>Quantity</b>
HA6051	FLANGE, WHEEL, CAST	4.000 EA
HW3022J06	1/4X.625 ROLLED SPR PIN	2.000 EA
XZ2007A62SP	1 1/4-7 NUT LH HEX (NC)	1.000 EA
XZ2007A12SP	1 1/4-7 NUT RH HX(NC)(F/S	1.000 EA
RM1010A07	VNYL CAP 1.875-21 701-89 BLACK S/R Q=1	2.000 EA
85XU0407S04	4X1/4 U DRIVE PIN STAINLESS	1.000 EA
HA6194A05	BRACKET, 14" GRINDER FOR 'GE' MAGNETIC S	1.000 EA
MJ1000A02	GREASE, MOBIL POLYREX EM - 124047	0.050 LB
MG1000G01	MUNSELL 5.93PB 3.81/ 2.71	0.017 GA
LB1009N	LABEL,ROTATION DIRECTION (ON ROLLS)	1.000 EA
LB1092	LABEL, WARNING BUFFERS	1.000 EA
LB5010	TAG, CAUTION PRINT SHOP	1.000 EA
CN1900A03	MAGNETIC STARTER 'GE' NO. CR306C10300AAA	1.000 EA
CN2006228B	HEATER, 'GE' NO. CR123C228B (FOR 'GE' ST	3.000 EA
MG2000A02	RUST VETO-377-HF HOUGHTON	0.001 GA
LB1119N	WARNING LABEL	1.000 EA
NP3411L	ALUM NAMEPLATE - BALDOR BUFFER CSA	1.000 EA
PK5038	WIDE CRATE 50 X 12 X 30 14" GRAINDER	1.000 EA
MN906	Baldor Buffer 6/13	1.000 EA
LB1618	PROPOSITION 65 WARNING LABEL 1-1/2 X 1/2	1.000 EA

<b>Accessories</b>		
<b>Part Number</b>	<b>Description</b>	<b>Multiplier</b>
GA20	PEDESTAL INDUSTRIAL, CAST IRON 8"-14"	A8

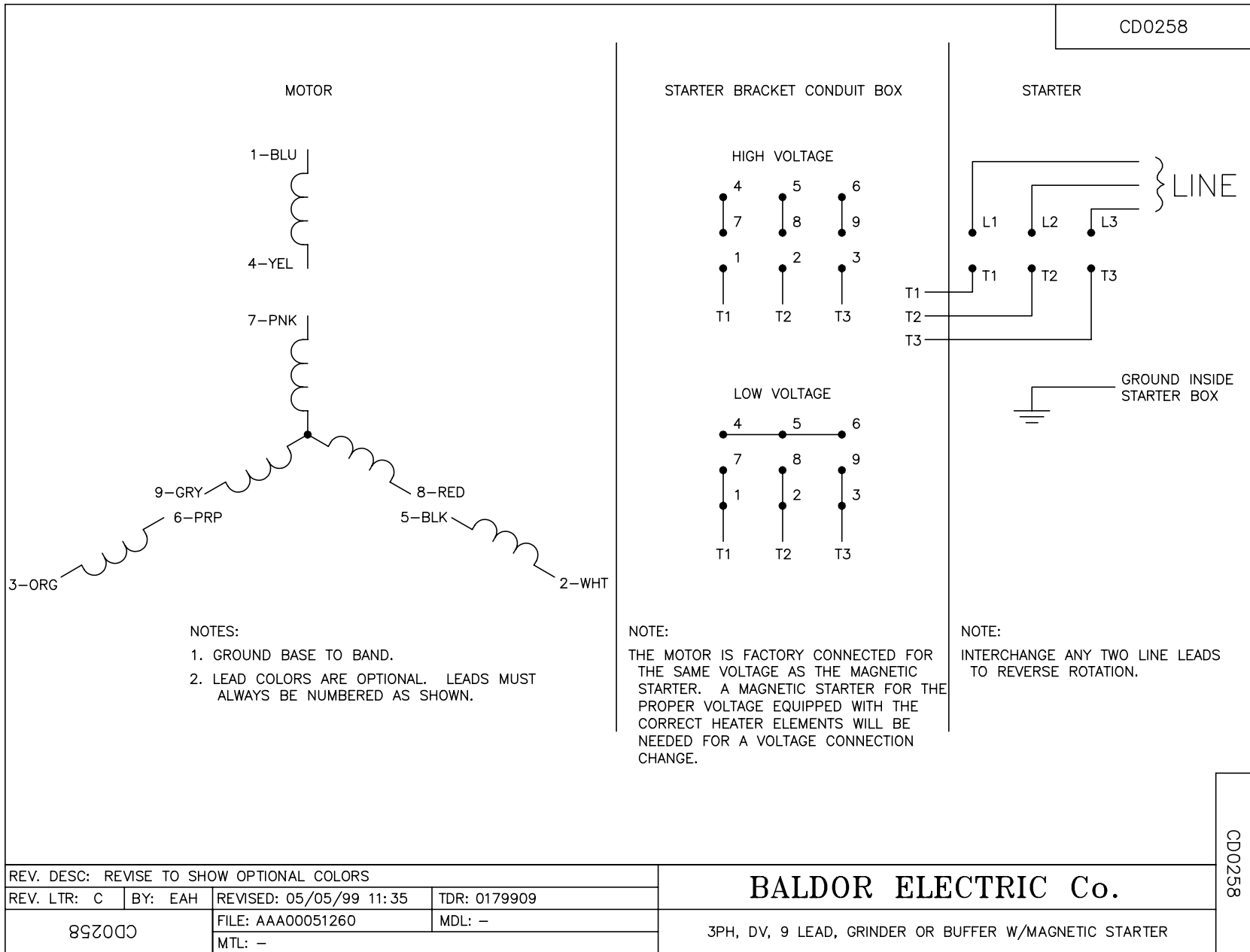
No performance data has been  
assigned to this product.



G4LY0117

G4LY0117





REV. DESC: REVISE TO SHOW OPTIONAL COLORS			
REV. LTR: C	BY: EAH	REVISED: 05/05/99 11:35	TDR: 0179909
82000		FILE: AAA00051260	MDL: -
		MTL: -	

## BALDOR ELECTRIC Co.

3PH, DV, 9 LEAD, GRINDER OR BUFFER W/MAGNETIC STARTER

CD0258