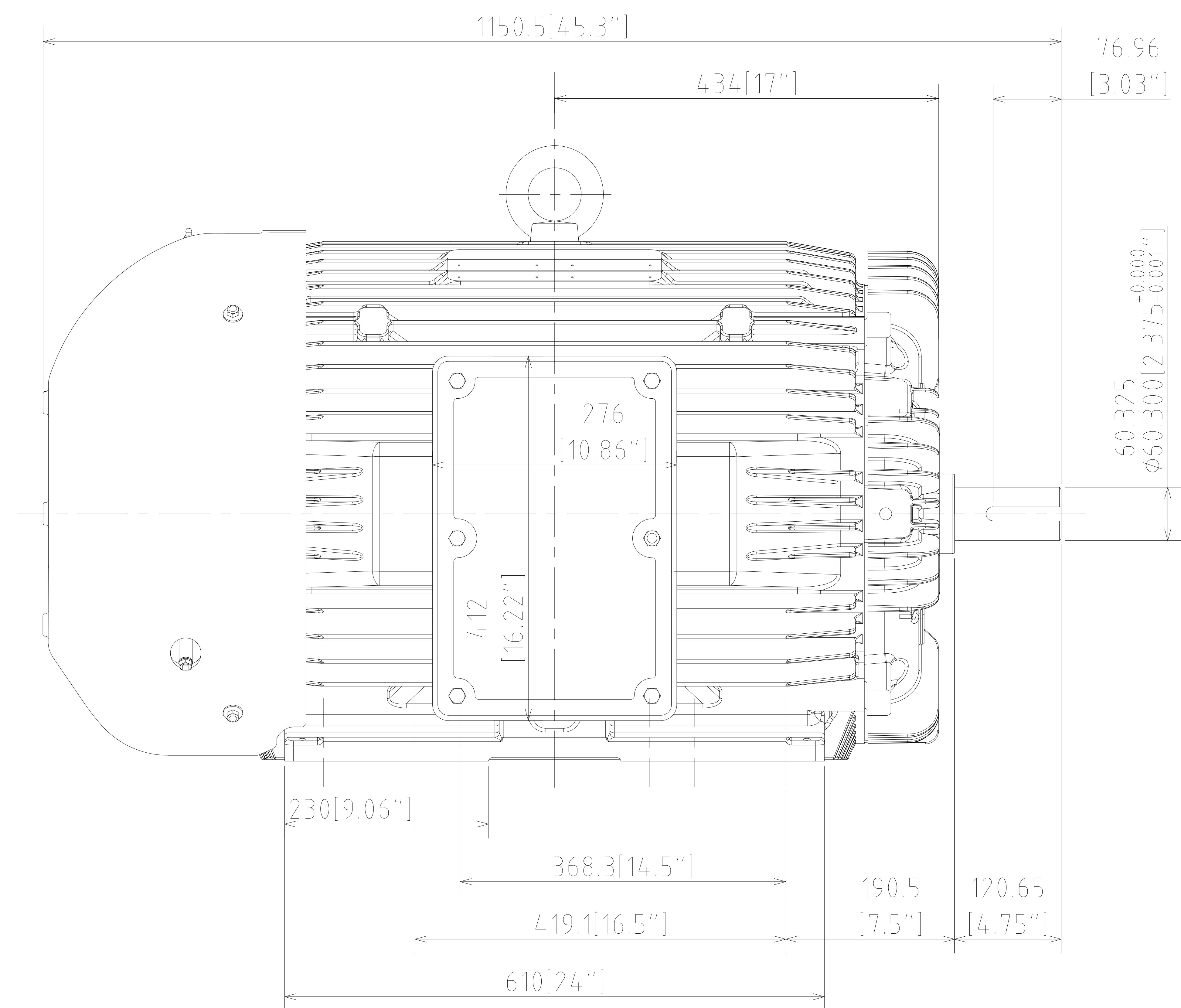
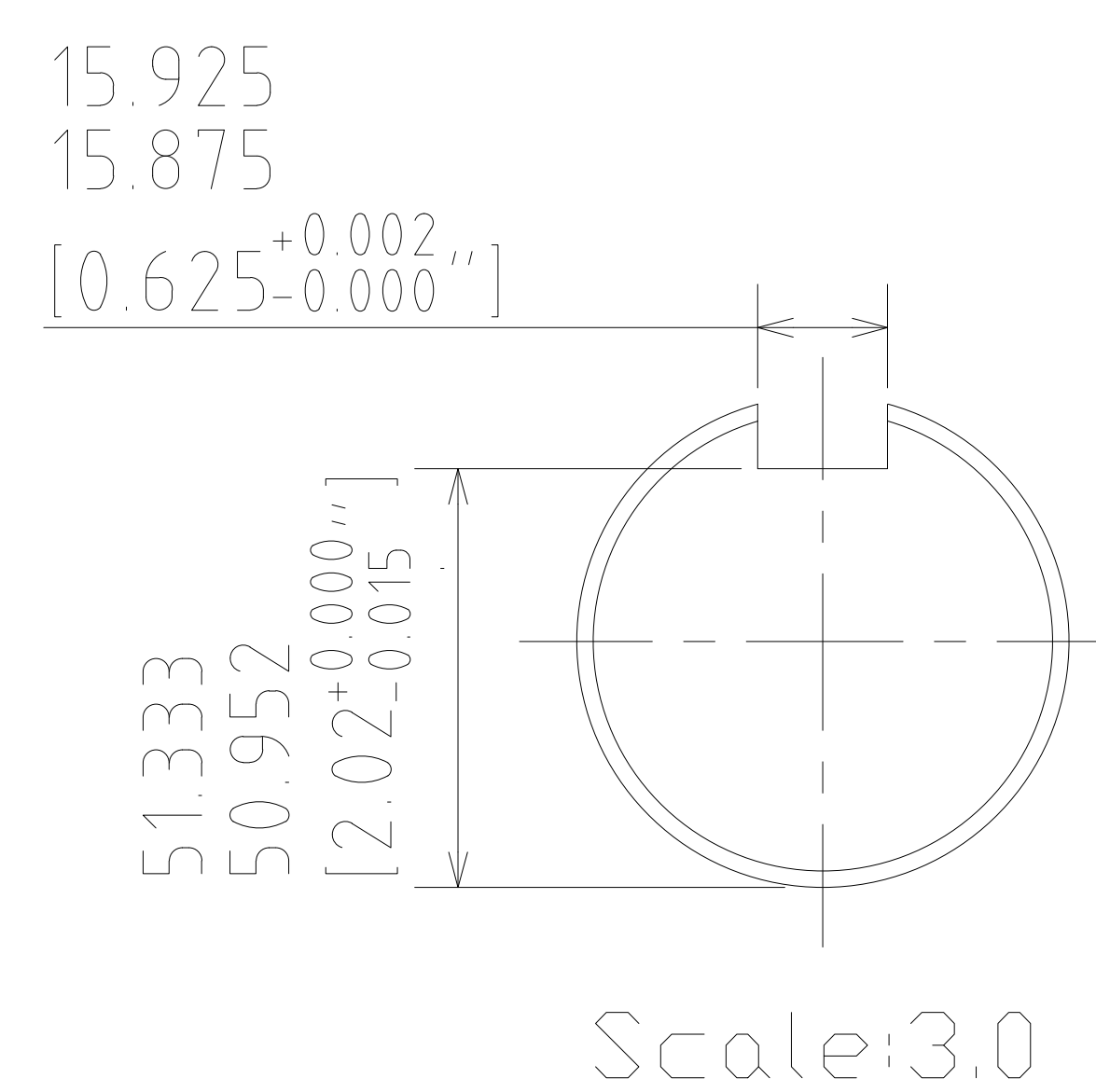
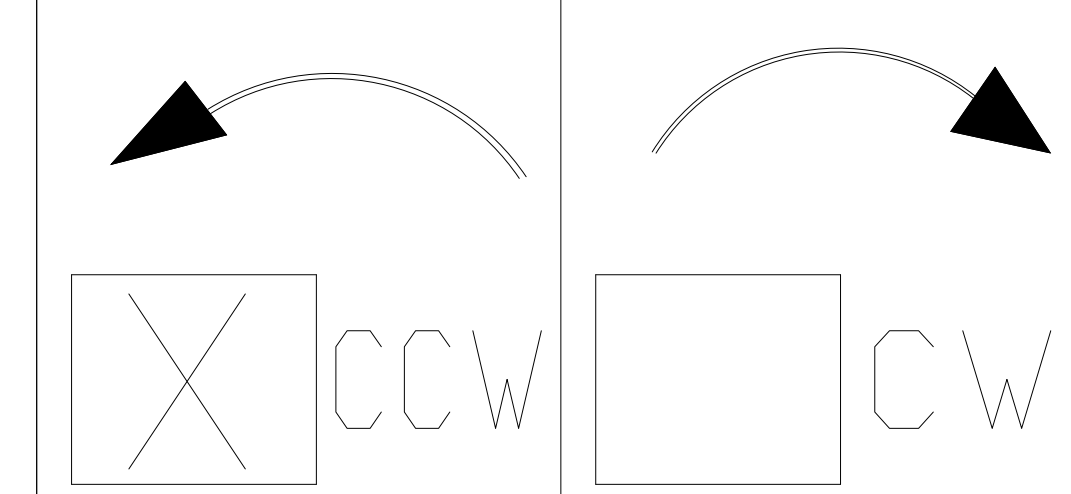


NEMA MOUNTING HOLES
 DRILL THRU
 NEMA HOLE SIZE
 Ø21 (Ø13/16")
 12 PLACES



UNITS: INCHES

ROTATION FROM NDE



NOTES:

1. MAIN CONDUIT BOX MAY BE ROTATED IN 90° INCREMENTS
2. STANDARD PRODUCT USES BI-DIRECTIONAL FAN. OPPOSITE ROTATION AVAILABLE ONLY BY CONNECTION CHANGE.
3. KEY DIMENSIONS EQUAL 5/8"-5/8"-3" (MOTOR SUPPLIED WITH KEY)

TOSHIBA RESERVES THE RIGHT TO MAKE CHANGES OF TECHNICAL IMPROVEMENT AND THE DATA MAY CHANGE WITHOUT NOTICE PRELIMINARY

DO NOT USE FOR CONSTRUCTION, INSTALLATION, OR APPLICATION PURPOSES UNLESS THE DRAWING IS MARKED AS CERTIFIED CERTIFIED

TOSHIBA SEVERE DUTY **EQP Global SD**
 www.toshiba.com/tic
 TOSHIBA INTERNATIONAL CORPORATION

TOTALLY ENCLOSED FAN COOLED
 HORIZONTAL FOOT MOUNT
 3 PHASE INDUCTION MOTOR
 S444/5TS F1 ASSEMBLY

DRAWING #: MDSL V700-11
 REV. DATE: Nov-12-18 REV. #: _____ PER: MAI HUYEN
 REV. DESCRIP: _____

TYPICAL MOTOR PERFORMANCE DATA

Model: 1504SDSC41B-P

HP	kW	Pole	FL RPM	Frame	Voltage	Hz	Phase	FL Amps
150	110	4	1785	S445T	575	60	3	135
Enclosure	IP	Ins. Class	S.F.	Duty	NEMA Nom. Eff.	NEMA Design	kVA Code	Ambient (°C)
TEFC	55	F	1.15	CONT	95.8	B		40 C

Load	HP	kW	Amperes	Efficiency (%)	Power Factor (%)
Full Load	150.00	111.9	135	96.1	86.5
¾ Load	112.50	83.9	102	95.6	85.6
½ Load	75.00	55.9	72	94.2	81.7
¼ Load	37.50	28.0	47	89.6	66.6
No Load			35.2		
Locked Rotor			851		24.6

Torque				Rotor wk ²
Full Load (lb-ft)	Locked Rotor (% FLT)	Pull Up (% FLT)	Break Down (% FLT)	Inertia (lb-ft ²)
441	155	105	230	67.94

Safe Stall Time(s)		Sound Pressure dB(A) @ 1M	Bearings*		Approx. Motor Weight (lbs)
Cold	Hot		DE	NDE	
35	15	84	6313C3	6313C3	

*Bearings are the only recommended spare part(s).

Motor Options:
Product Family:EQP Global SD
Mounting:Footed,Shaft:T Shaft

Customer	
Customer PO	
Sales Order	
Project #	

Tag:

All characteristics are average expected values.

TOSHIBA INTERNATIONAL CORPORATION · HOUSTON, TEXAS U.S.A.

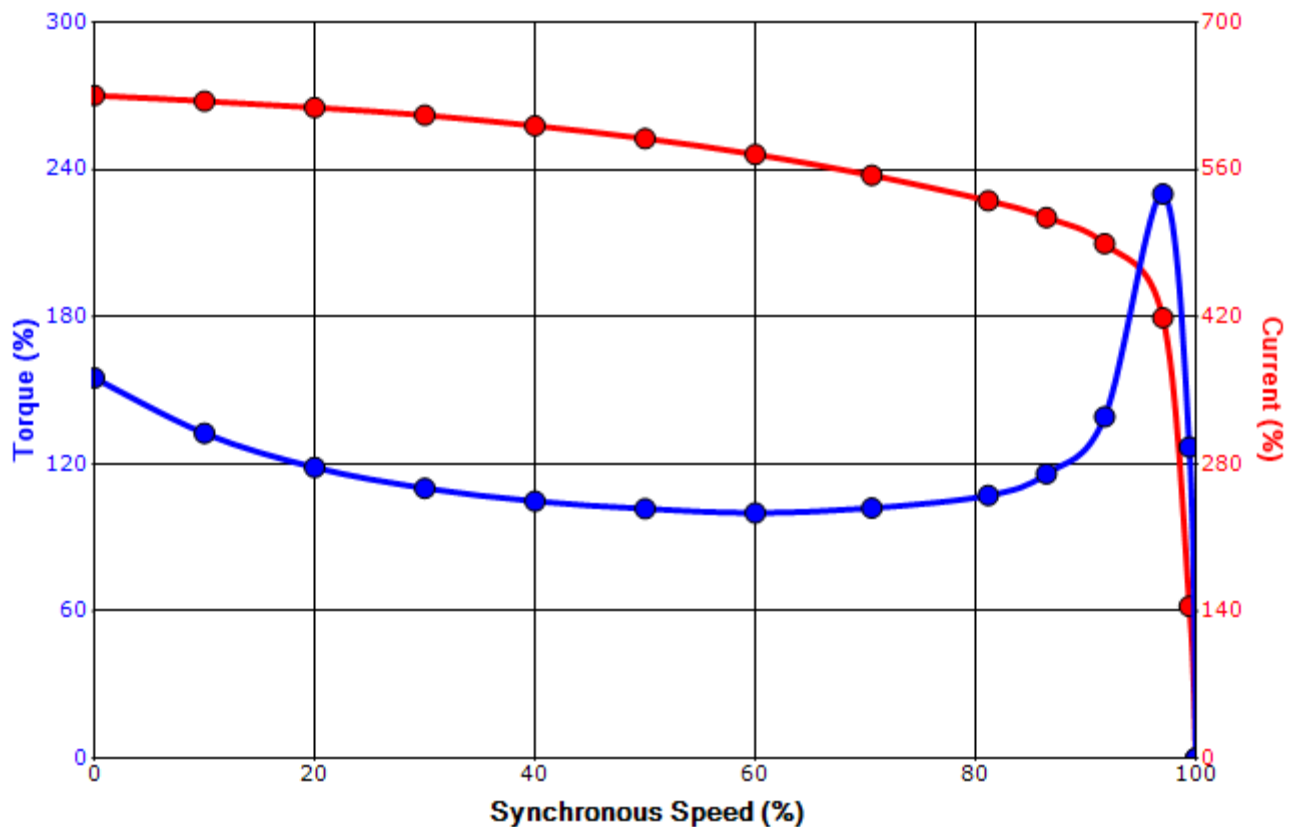
Engineering	mcampbell	Doc. Written By	D. Suarez	Doc.# / Rev	MPCF-1119 / 0
Engr. Date	11/12/2018	Doc. Approved By	M. Campbell	Doc. Issued	6/8/2011

SPEED TORQUE/CURRENT CURVE

Model: 1504SDSC41B-P

HP	kW	Pole	FL RPM	Frame	Voltage	Hz	Phase	FL Amps
150	110	4	1785	S445T	575	60	3	135
Enclosure	IP	Ins. Class	S.F.	Duty	NEMA Nom. Eff.	NEMA Design	kVA Code	Ambient (°C)
TEFC	55	F	1.15	CONT	95.8	B		40 C
Locked Rotor Amps	Rotor wk ² Inertia (lb-ft ²)	Torque						Break Down (%)
		Full Load (lb-ft)	Locked Rotor (%)	Pull Up (%)				
851	67.94	441	155	105			230	

Design Values



Customer		wk ² Load Inertia (lb-ft ²)	-
Customer PO		Load Type	-
Sales Order		Voltage (%)	100
Project #		Accel. Time	-

Tag:

All characteristics are average expected values.

TOSHIBA INTERNATIONAL CORPORATION · HOUSTON, TEXAS U.S.A.

Engineering	mcampbell	Doc. Written By	D. Suarez	Doc.# / Rev	MPCF-1121 / 0
Engr. Date	11/12/2018	Doc. Approved By	M. Campbell	Doc. Issued	6/8/2011

Motor Connection Diagrams
6 Leads

Across the Line Starting / Run - Delta:



Alternate Starting Connection - Wye:



Switch L1 and L2 to reverse rotation