

# Data sheet for three-phase Squirrel-Cage-Motors SIMOTICS

Motor type: **GP100A** FS: **145T - 4p - 2 hp -**

Client order no.	Item-No.	Offer no.
Order no.	Consignment no.	Project
Remarks		

## Electrical data

U [V]	$\Delta/Y$	f [Hz]	P [HP]	P [kW]	n [rpm]	I Load [Amps]					LRC	Nom. Eff Load [%]			Pwr. Factor Load [%]			Torque [lb-ft]	T <sub>A</sub> /T <sub>N</sub> LRT [%]	T <sub>k</sub> /T <sub>N</sub> BDT [%]
						4/4	3/4	1/2	0	4/4		3/4	2/4	4/4	3/4	2/4				
575	Y	60	2.00	1.50	1,800	2.20	1.80	1.50	1.20	19.2	86.5	87.2	86.0	77.3	70.8	57.8	6.0	322	393	

**without**

Frame Type: 145T	Type of constr.: (A) Foot mounted - End shield	Ins. Cl.: Standard Class F Insulation	Motor Prot.: (A) Without Protection	NEMA Des.: B	S.F.: 1.15
Mtr. WT: 50		Temp. Rise Cl.: B	Amb. Temp.: + 40 to -20 °C @1000 m	kVA: L	IP 55

## Mechanical data

Sound level (SPL / SWL) at 60 Hz	50.0 dB(A) / 62.0 dB(A)	Thickener	Polyurea						
Octave Band Center Frequencies Hertz		Safe Stall Time Hot	14 s						
250	500	1000	2000	4000	8000	Hz	Safe Stall Time Cold	22 s	
SPL@3	37.0	40.0	49.0	45.0	37.0	31.0	dB(A)	Frame material	aluminum
Moment of inertia	0.2 Lb-ft <sup>2</sup>	Color, paint shade	Standard Paint - RAL7030						
Ext Load Inertia Capability:	11.0 Lb ft <sup>2</sup>	Coating (paint finish)	Standard Alkyed + Epoxy (C2)						
<b>Bearings</b>		<b>Ventilation Type</b>							
Bearing DE   NDE	6205 ZZ C3 S0	6205 ZZ C3 S0	Method of cooling	TEFC					
Bearing_Type	Ball Bearing	Ball Bearing	Direction of rotation	Bidirectional					
AFBMA:	25BC02JPP30	25BC02JPP30	Fan Material	Polypropylen					
<b>Grease</b>		VFD	CT: 4:1 VT: 20:1						
Capacity	0.1 oz	0.1 oz	Space heaters	without					
Grease Type:	Exxon Mobile EM	Brake:	without						


## Terminal box

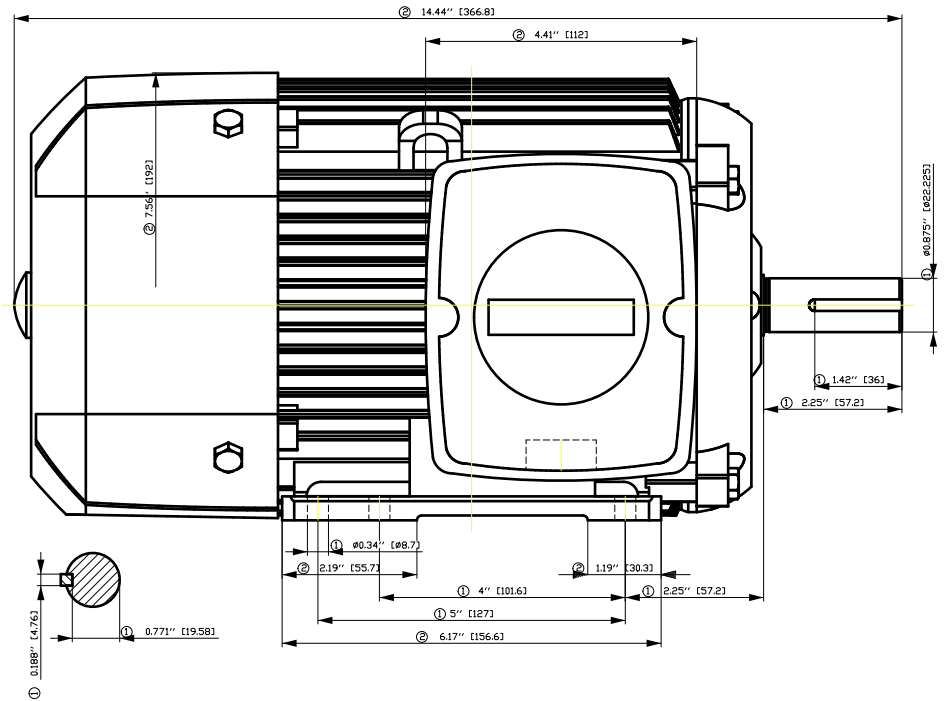
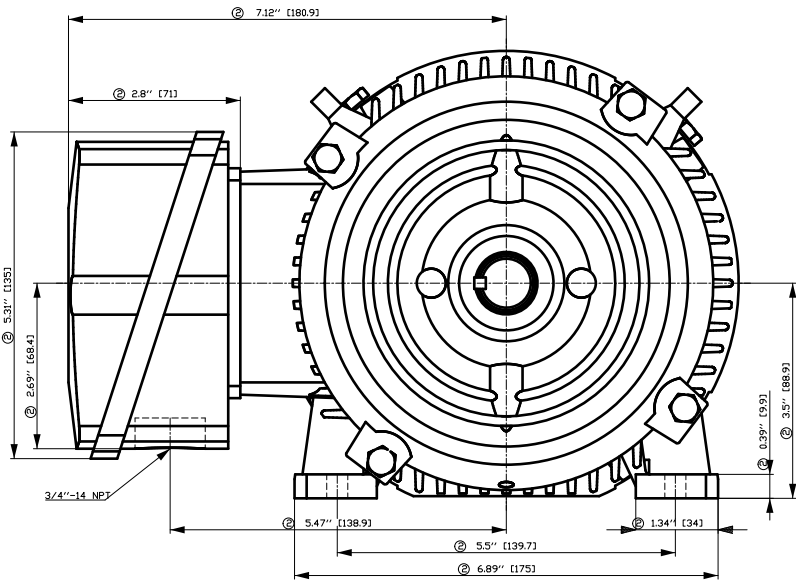
Lead Wire Connection	3 LEAD - WYE	Terminal box position	(3) F-1, Standard Floor Mount, T. Box LHS
Voltage	L1 L1 L1 Connected together	Material of terminal box	Aluminium
---	---	Cable entry	.75" NPT
---	T1 T2 T3		

### Notes:

I<sub>L</sub>/I<sub>N</sub> = locked rotor current / current nominal  
M<sub>L</sub>/M<sub>N</sub> = locked rotor torque / torque nominal  
M<sub>B</sub>/M<sub>N</sub> = break down torque / nominal torque

3) Value is valid only for DOL operation with motor design IC411  
2) at rated power / at full load

responsible dep. DI MC LVM	technical reference	created by DT Configurator	approved by	<i>Technical data are subject to change! There may be discrepancies between software and hardware versions</i>	
	document type datasheet	document status released	customer		
	title 1LE2121-1AB41-3AA3	document number			
© Siemens AG 2022	rev. 01	creation date 2022-04-08 03:26	language en	Page 1/1	



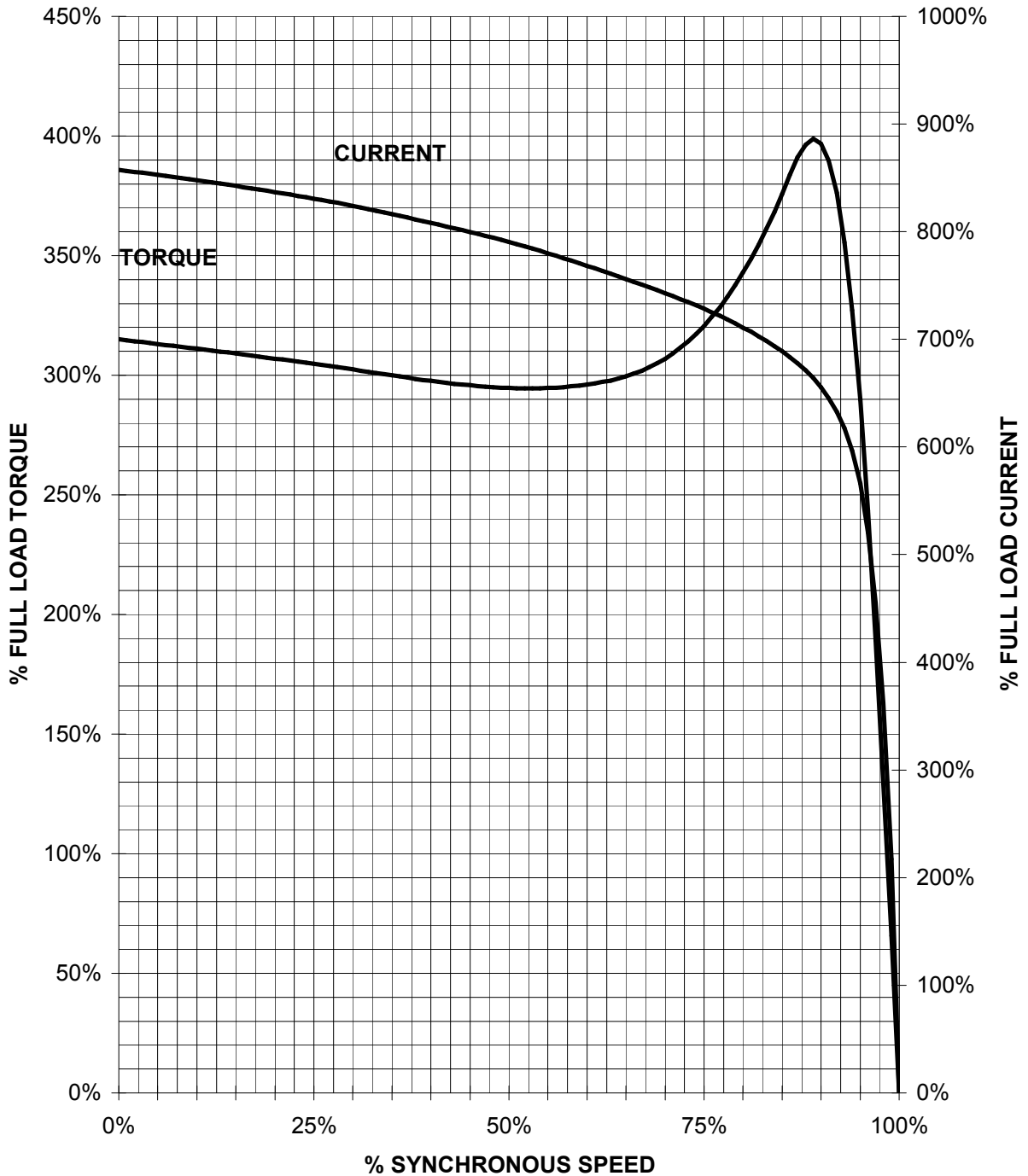
- ① Tolerances according to NEMA std.
- ② All these dimensions corresponding to assemblies and castings shall have a tolerance as per DIN standard 1686-GTB 19.
- ③ Not according to NEMA std.

Tolerance	Surface	Material	Weight	Scale
F50GF6E01 F60E1	Author	ÖS T: ^@~* MFB	E	
E	Creator			
	Approval			
	Department			
	Change Order	Item No	Doc Type	/
<b>SIEMENS</b>	Doc. State	Doc No	Paper Size	CH
© Siemens AG 2018	Revision	Index	1st Language	^
	Project No	E	2nd Language	â
		Ref No	Sheet	F of F

# SIEMENS INDUSTRY, INC.

HP 2 VOLTS < 600V RPM 1800 TYPE GP100A  
HZ 60 PHASE 3 FRAME 145T NEMA B

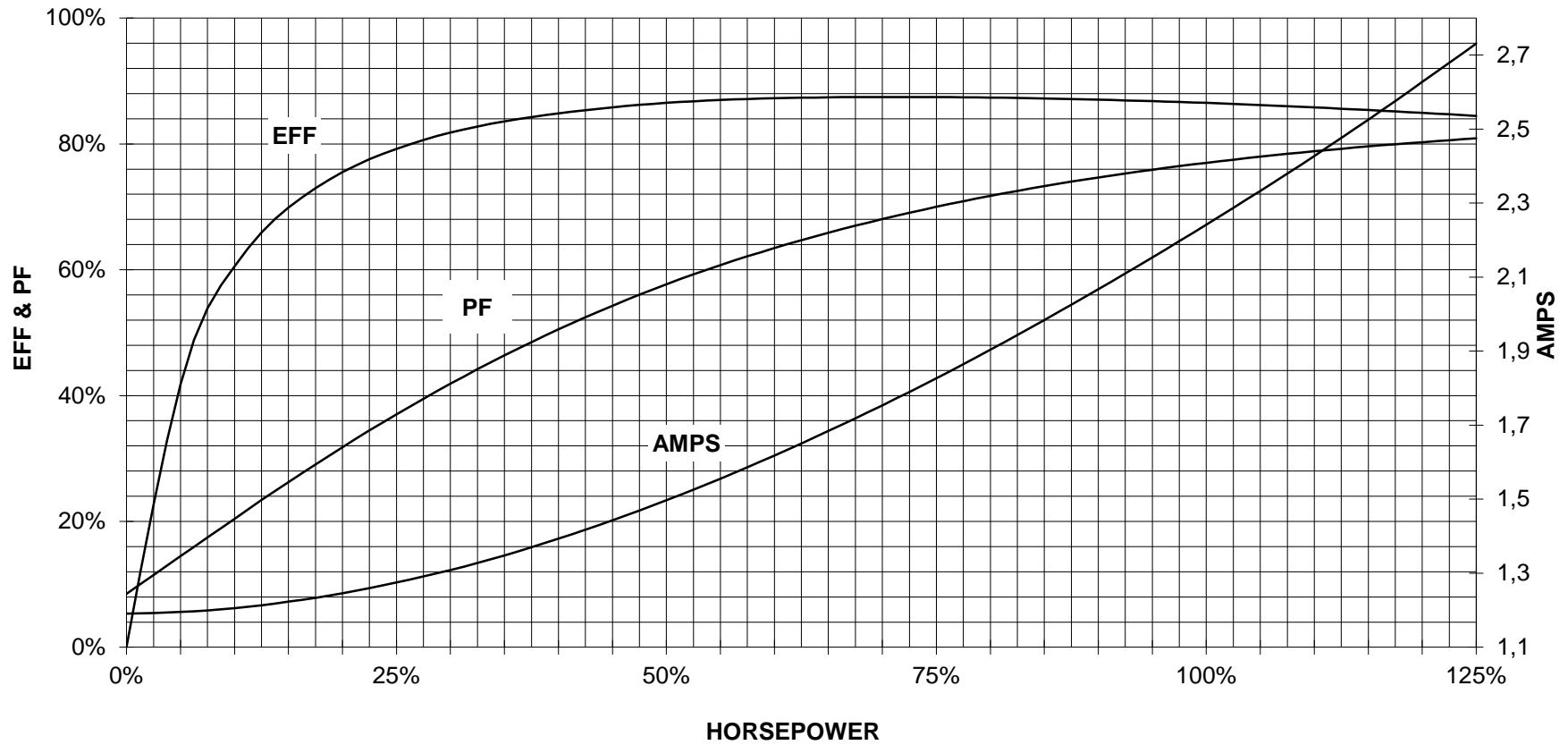
## TORQUE & CURRENT VS. SPEED



CUSTOMER: \_\_\_\_\_ ORDER#: \_\_\_\_\_

2 HP 1800 RPM 145 FRAME 575 VOLTS 3 PHASE NEMA DESIGN B

**SIEMENS INDUSTRY, INC.**  
**PERFORMANCE CURVE**  
**GP100A NP**

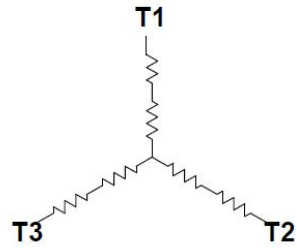


CUSTOMER \_\_\_\_\_ ORDER # \_\_\_\_\_ PO # \_\_\_\_\_

PERFORMANCE BASED ON DESIGN CALCULATIONS. SUBJECT TO CHANGE WITHOUT NOTICE.

REV. 1

Main terminal diagram



3 LEAD WYE			
LINES			CONN.
L1	L2	L3	
T1	T2	T3	Y

responsible dep.  
DI MC LVM

technical reference

created by

approved by

Project

**SIEMENS**

document type  
Wiring Diagram

title  
1LE2121-1AB41-3AA3

document status  
free

document number

customer