

Data sheet for three-phase Squirrel-Cage-Motors SIMOTICS

Motor type: **GP100A** FS: 182T - 6p - 1.5 hp -

Client order no.	Item-No.	Offer no.
Order no.	Consignment no.	Project
Remarks		

Electrical data

U [V]	Δ/Y	f [Hz]	P [HP]	P [kW]	n [rpm]	I Load [Amps]					LRC	Nom. Eff Load [%]			Pwr. Factor Load [%]			Torque [lb-ft]	T _A /T _N LRT [%]	T _k /T _N BDT [%]
						4/4	3/4	1/2	0	4/4		3/4	2/4	4/4	3/4	2/4				
460	Y	60	1.50	1.00	1,200	2.40	2.10	1.70	1.40	15.0	87.5	87.6	85.3	66.9	58.4	48.4	6.8	206	331	
230	YY	60	1.50	1.00	1,200	4.80	4.12	3.40	2.80	30.0	87.5	87.6	85.3	66.9	58.4	48.4	6.8	206	331	
400	Y	50	1.00		976	2.16	1.91	1.72	1.50	14.4	78.9	77.9	74.9	57.6	49.4	38.2	5.4	299	518	
200	YY	50	1.00		976	4.32	3.82	3.44	3.00	28.7	78.9	77.9	74.9	57.6	49.4	38.2	5.4	299	518	

Frame Type: 182T	Type of constr.: (A) Foot mounted - End shield	Ins. Cl.: Standard Class F Insulation	Motor Prot.: (A) Without Protection	NEMA Des.: B	S.F.: 1.15
Mtr. WT.: 71		Temp. Rise Cl.: B	Amb. Temp.: + 40 to -20 °C @1000 m	kVA: J	IP 55

Mechanical data


Sound level (SPL / SWL) at 60 Hz	54.0 dB(A) / 63.0 dB(A)	Thickener	Polyurea						
Octave Band Center Frequencies Hertz		Safe Stall Time Hot	34 s						
250	500	1000	2000	4000	8000	Hz	Safe Stall Time Cold	46 s	
SPL@3	36.0	46.0	52.0	47.0	41.0	31.0	dB(A)	Frame material	aluminum
Moment of inertia	0.2 Lb-ft ²		Color, paint shade	Standard Paint - RAL7030					
Ext Load Inertia Capability:	23.0 Lb ft ²		Coating (paint finish)	Standard Alkyed + Epoxy (C2)					
Bearings			Ventilation Type						
Bearing DE NDE	6206 ZZ C3 S0	6206 ZZ C3 S0	Method of cooling	TEFC					
Bearing_Type	Ball Bearing	Ball Bearing	Direction of rotation	Bidirectional					
AFBMA:	30BC02JPP30	30BC02JPP30	Fan Material	Polypropylen					
Grease			VFD	CT: 4:1 VT: 20:1					
Capacity	0.2 oz	0.2 oz	Space heaters	without					
Grease Type:	Exxon Mobile EM		Brake:	without					

Terminal box

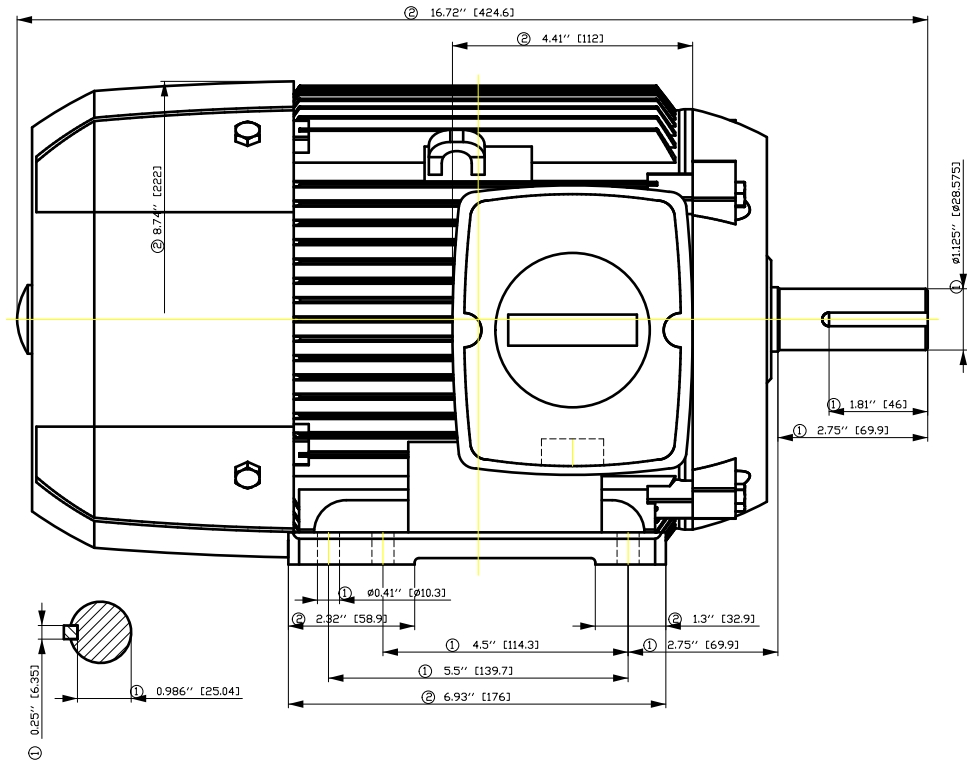
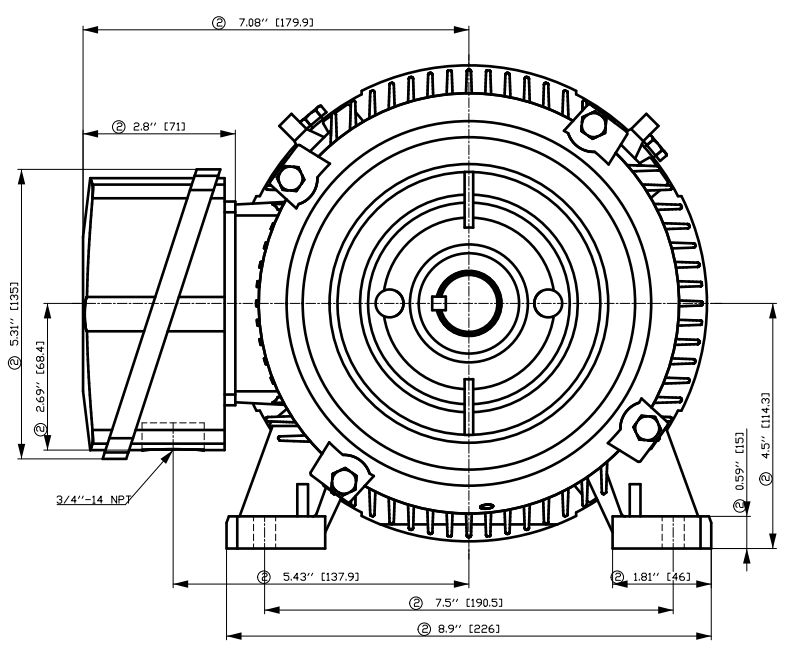
Lead Wire Connection	9 LEAD - WYE	Terminal box position	(3) F-1, Standard Floor Mount, T. Box LHS
Voltage	L1 L1 L1 Connected together	Material of terminal box	Aluminium
LOW	T1 T7 T2 T8 T3 T9 T4 T5 T6	Cable entry	.75" NPT
HIGH	T1 T2 T3 T4 T7-T5 T8-T6 T9		

Notes:

I_r/I_N = locked rotor current / current nominal
 M_r/M_N = locked rotor torque / torque nominal
 M_b/M_N = break down torque / nominal torque
 3) Value is valid only for DOL operation with motor design IC411
 2) at rated power / at full load

responsible dep. DI MC LVM	technical reference	created by DT Configurator	approved by	<i>Technical data are subject to change! There may be discrepancies between software and hardware versions</i>	
	document type datasheet	document status released	customer		
	title 1LE2121-1CC11-4AA3	document number	rev. 01	creation date 2022-04-08 17:04	language en
© Siemens AG 2022					

刀痕皆用钢笔为刀痕者均非笔迹
 凡属公差范围内的尺寸均按图样要求执行
 凡属公差范围外的尺寸均按实际尺寸执行
 凡属公差范围外的尺寸均按实际尺寸执行



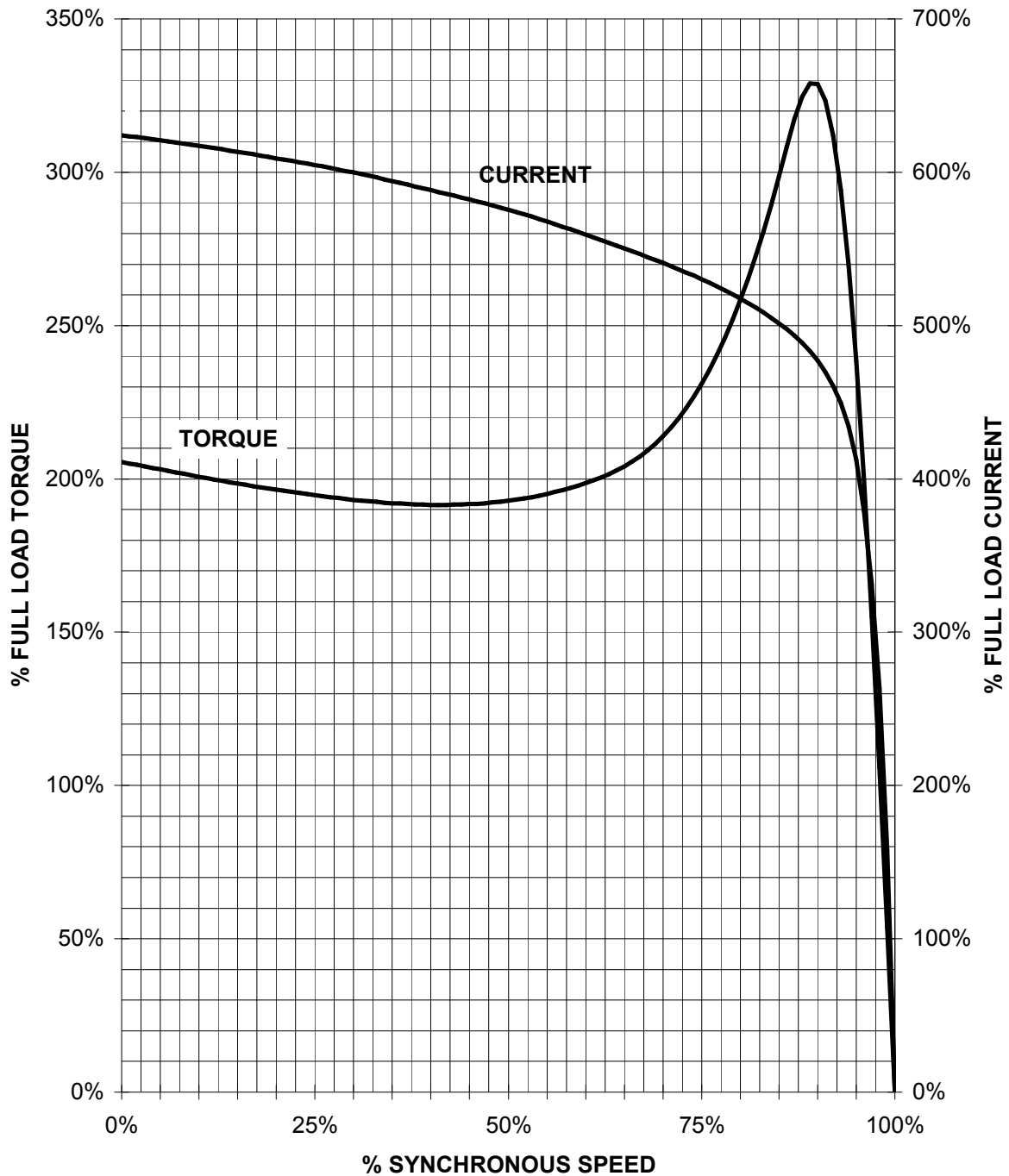
- ① Tolerances according to NEMA std.
- ② All these dimensions corresponding to assemblies and castings shall have a tolerance as per DIN standard 1686-GTB 19.
- ③ Not according to NEMA std.

Tolerance	Surface	Material	Weight	Scale
F50GF6E00FF00EH	Author	ÖS T: 10000	E	1:1
E	Creator			
	Approval			
	Department			
	Change Order	MLFB	Doc Type	/
SIEMENS		Doc State	Item No	Paper Size
		Revision	Doc No	1st Language
		Index	RS	2nd Language
© Siemens AG	2018	Project No	E	Sheet
				F of F

SIEMENS INDUSTRY, INC.

HP 1.5 VOLTS < 600V RPM 1200 TYPE GP100A
HZ 60 PHASE 3 FRAME 182T NEMA B

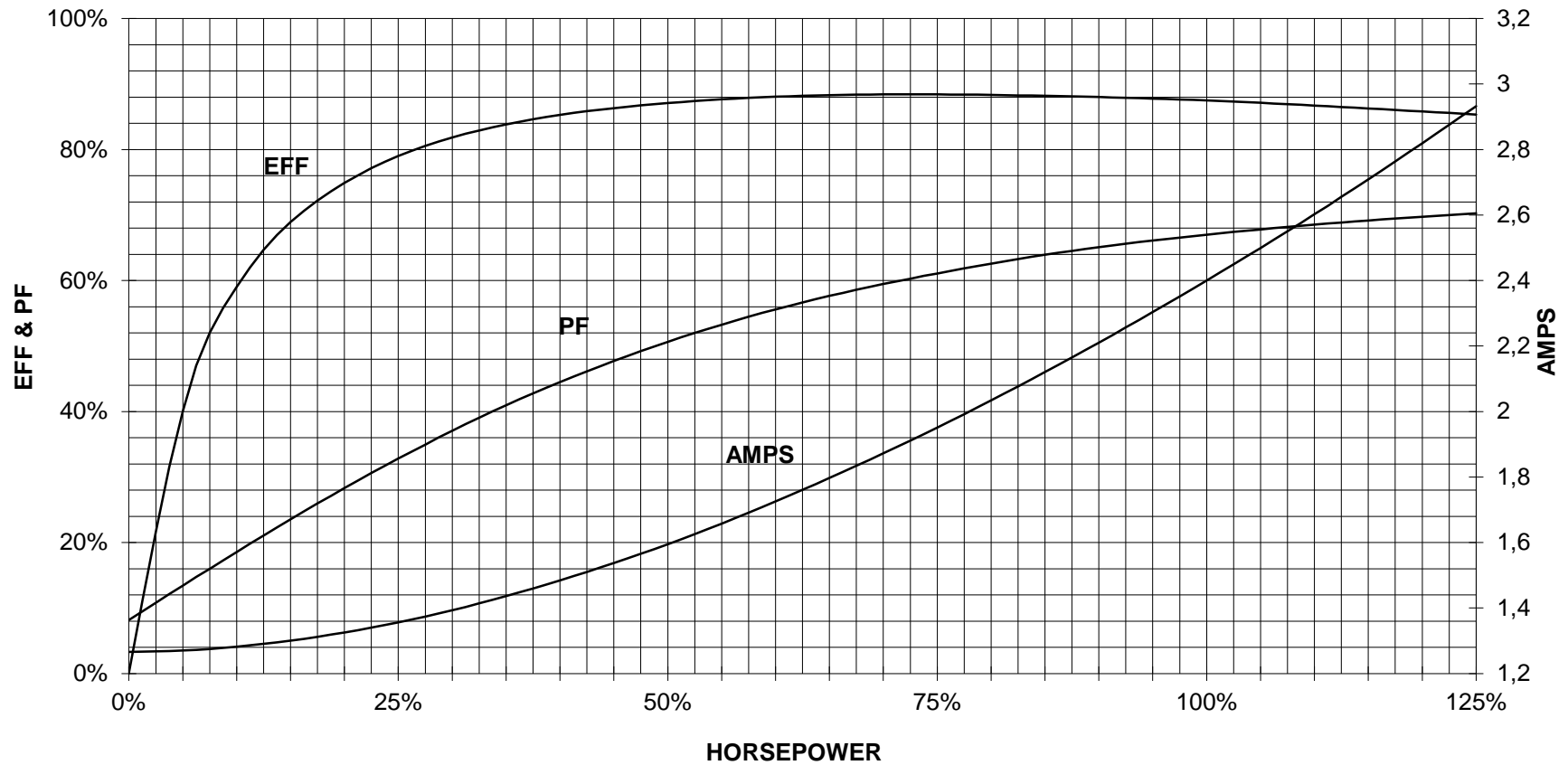
TORQUE & CURRENT VS. SPEED



CUSTOMER: _____ ORDER#: _____

1.5 HP 1200 RPM 182 FRAME 460 VOLTS 3 PHASE NEMA DESIGN B

SIEMENS INDUSTRY, INC.
PERFORMANCE CURVE
GP100A NP

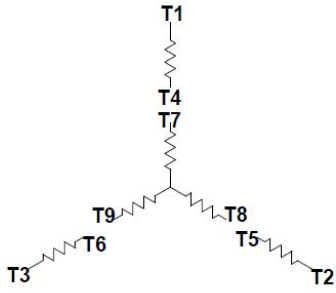


CUSTOMER _____ ORDER # _____ PO # _____

PERFORMANCE BASED ON DESIGN CALCULATIONS. SUBJECT TO CHANGE WITHOUT NOTICE.

REV. 1

Main terminal diagram



9 LEAD WYE						
Volts	LINES			CONNECTED TOGETHER	CONN.	
	L1	L2	L3			
LOW	T1 T7	T2 T6	T3 T9	T4 T5 T6	YY	
HIGH	T1	T2	T3	T4 T7-T5 T8-T6 T9	Y	

responsible dep. DI MC LVM	technical reference	created by	approved by	Project
SIEMENS	document type Wiring Diagram	document status free		customer
	title 1LE2121-1CC11-4AA3	document number		
© Siemens AG 2019	rev. 01	creation date 12/03/2019	language en	Page 1/1