

# Data sheet for three-phase Squirrel-Cage-Motors SIMOTICS

Motor type: **GP100A** FS: 254T - 2p - 15 hp -

Client order no.	Item-No.	Offer no.
Order no.	Consignment no.	Project
Remarks		

## Electrical data

U [V]	$\Delta/Y$	f [Hz]	P [HP]	P [kW]	n [rpm]	I Load [Amps]					LRC	Nom. Eff Load [%]			Pwr. Factor Load [%]			Torque [lb-ft]	T <sub>A</sub> /T <sub>N</sub> LRT [%]	T <sub>k</sub> /T <sub>N</sub> BDT [%]
						4/4	3/4	1/2	0	4/4		3/4	2/4	4/4	3/4	2/4				
460	Y	60	15.00	11.00	3,600	17.50	13.20	9.60	5.10	116.0	91.0	91.3	90.7	88.2	87.4	80.6	22.0	209	259	
230	YY	60	15.00	11.00	3,600	35.00	26.40	19.21	10.20	232.0	91.0	91.3	90.7	88.2	87.4	80.6	22.0	209	259	
400	Y	50	10.00		2,960	13.10	10.35	7.87	4.78	120.2	90.1	89.4	87.3	89.3	85.4	76.6	17.8	458	665	
200	YY	50	10.00		2,960	26.20	20.70	15.74	9.56	240.4	90.1	89.4	87.3	89.3	85.4	76.6	17.8	458	665	
Frame Type: 254T		Type of constr.: ( G ) Round body - C-Face					Ins. Cl.: Standard Class F Insulation				Motor Prot.: (A) Without Protection			NEMA Des.: B		S.F.: 1.15				
Mtr. WT:240							Temp. Rise Cl.: B				Amb. Temp.: + 40 to -20 °C @1000 m			kVA: G		IP 55				

## Mechanical data

Sound level (SPL / SWL) at 60 Hz	70.0 dB(A) / 79.0 dB(A)							Thickener	Polyurea
Octave Band Center Frequencies Hertz								Safe Stall Time Hot	24 s
	250	500	1000	2000	4000	8000	Hz	Safe Stall Time Cold	48 s
SPL@3	60.0	73.0	72.0	75.0	69.0	56.0	dB(A)	Frame material	aluminum
Moment of inertia	1.1 Lb-ft <sup>2</sup>							Color, paint shade	Standard Paint - RAL7030
Ext Load Inertia Capability:	16.0 Lb ft <sup>2</sup>							Coating (paint finish)	Standard Alkyed + Epoxy (C2)
<b>Bearings</b>								<b>Ventilation Type</b>	
Bearing DE   NDE	6209 ZZ C3 S0			6209 ZZ C3 S0				Method of cooling	TEFC
Bearing_Type	Ball Bearing			Ball Bearing				Direction of rotation	Bidirectional
AFBMA:	45BC02JPP30			45BC02JPP30				Fan Material	Polypropylen
<b>Grease</b>								VFD	CT: 4:1 VT: 20:1
Capacity	0.5 oz			0.5 oz				Space heaters	without
Grease Type:	Exxon Mobile EM							Brake:	without


## Terminal box

Lead Wire Connection					9 LEAD - WYE	Terminal box position	(3) F-1, Standard Floor Mount, T. Box LHS
Voltage	L1	L1	L1	Connected together		Material of terminal box	Aluminium
LOW	T1 T7	T2 T8	T3 T9	T4 T5 T6		Cable entry	1.25" NPT
HIGH	T1	T2	T3	T4 T7-T5 T8-T6 T9			

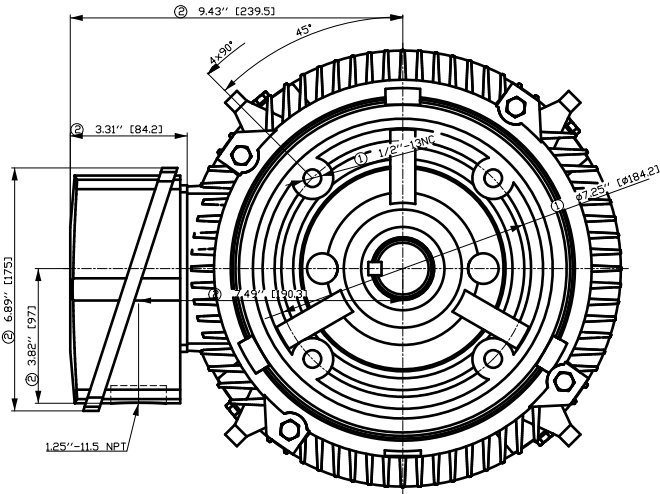
## Notes:

I<sub>L</sub>/I<sub>N</sub> = locked rotor current / current nominal  
M<sub>L</sub>/M<sub>N</sub> = locked rotor torque / torque nominal  
M<sub>d</sub>/M<sub>N</sub> = break down torque / nominal torque

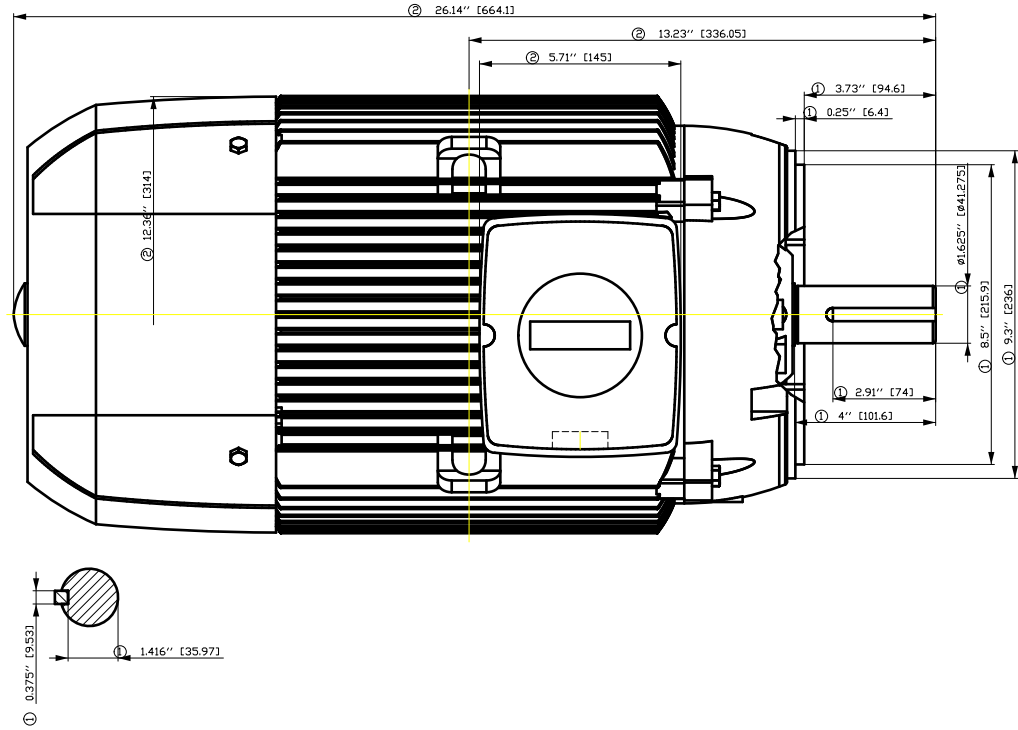
3) Value is valid only for DOL operation with motor design IC411  
2) at rated power / at full load


responsible dep. DI MC LVM	technical reference	created by DT Configurator	approved by	<i>Technical data are subject to change! There may be discrepancies between our website and our data sheets.</i>			
	document type datasheet	document status released		customer			
	title 1LE2121-2BA11-4GA3	document number					
© Siemens AG 2022	rev. 01	creation date 2022-04-08 19:26	language en	Page 1/1			

刀纸为  
用转为  
所文正  
全图  
图按  
照图  
样制  
作



- ① Tolerances according to NEMA std.
- ② All these dimensions corresponding to assemblies and castings shall have a tolerance as per DIN standard 1686-GTB 19.
- ③ Not according to NEMA std.

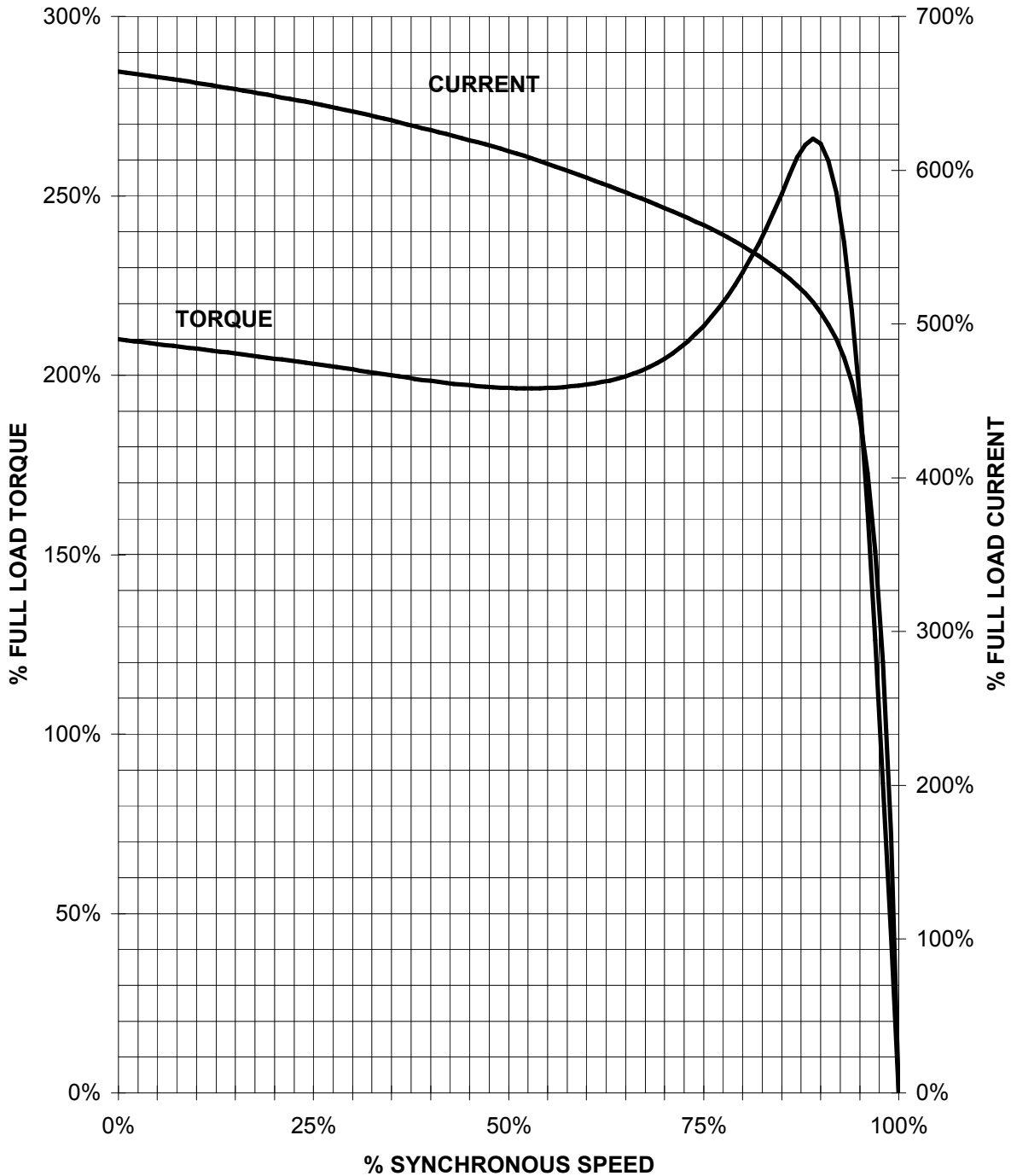


Tolerance	Surface	Material	Weight	Scale
F50GFGF8300FFH ÖCH E	Author Creator Approval Department Change Order	ÖS T 8: ^B@~}*	E	
<b>SIEMENS</b>	Doc State Revision	MFB Item No Doc No	Doc Type Paper Size 1st Language 2nd Language	OH A A^
© Siemens AG 2018	Project No Index	Ref No RS	Sheet	F of F

# SIEMENS INDUSTRY, INC.

HP 15 VOLTS < 600V RPM 3600 TYPE GP100A  
HZ 60 PHASE 3 FRAME 254T NEMA B

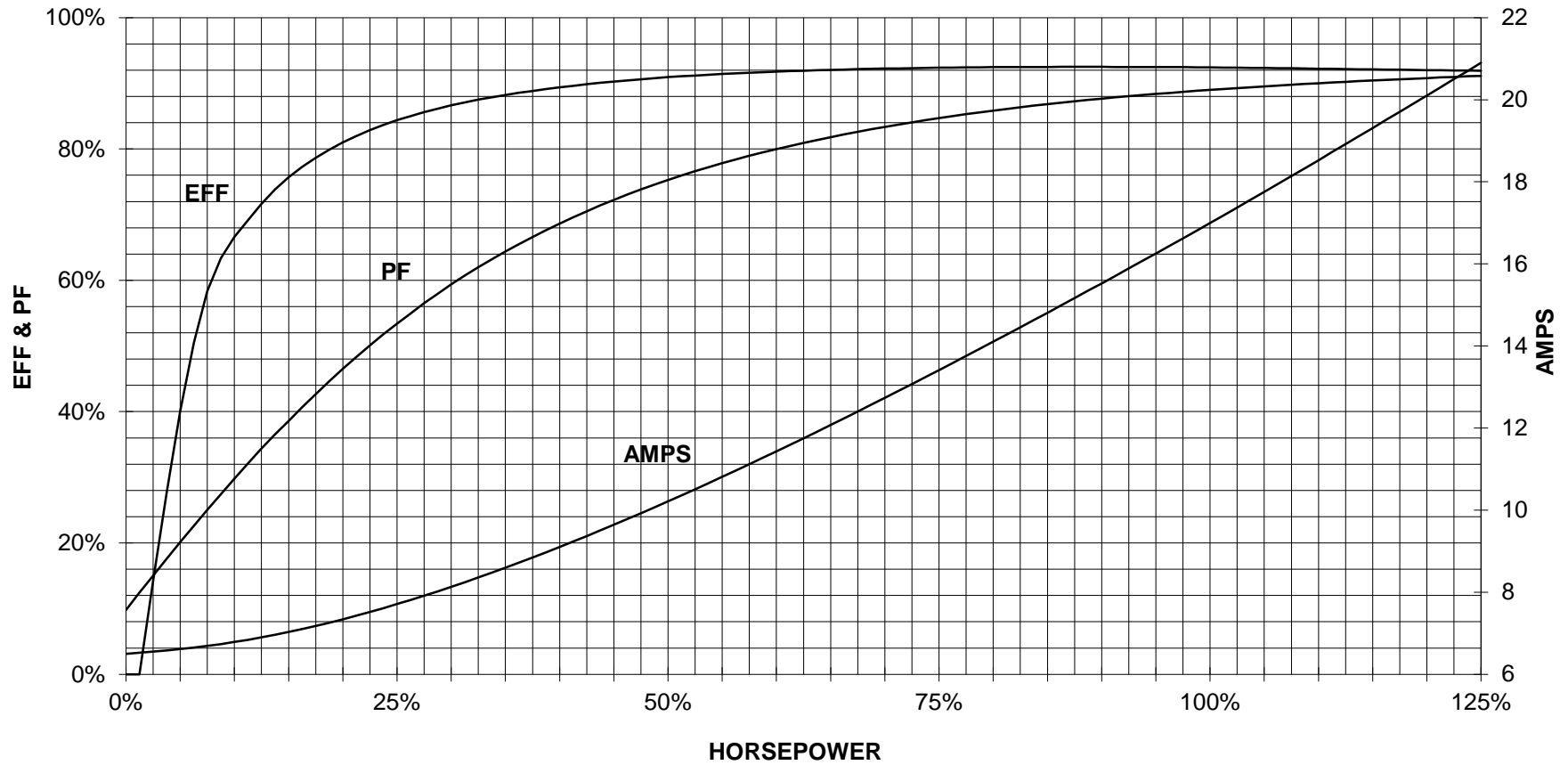
## TORQUE & CURRENT VS. SPEED



CUSTOMER: \_\_\_\_\_ ORDER#: \_\_\_\_\_

15 HP 3600 RPM 254 FRAME 460 VOLTS 3 PHASE NEMA DESIGN B

**SIEMENS INDUSTRY, INC.**  
**PERFORMANCE CURVE**  
**GP100A NP**



CUSTOMER \_\_\_\_\_ ORDER # \_\_\_\_\_ PO # \_\_\_\_\_

PERFORMANCE BASED ON DESIGN CALCULATIONS. SUBJECT TO CHANGE WITHOUT NOTICE.

REV. 1

Main terminal diagram



9 LEAD WYE						
Volts	LINES			CONNECTED TOGETHER	CONN.	
	L1	L2	L3			
LOW	T1 T7	T2 T6	T3 T9	T4 T5 T6	YY	
HIGH	T1	T2	T3	T4 T7-T5 T8-T6 T9	Y	

responsible dep. DI MC LVM	technical reference	created by	approved by	Project
<b>SIEMENS</b>	document type Wiring Diagram	document status free		customer
	title 1LE2121-2BA11-4GA3	document number		
© Siemens AG 2019	rev. 01	creation date 12/03/2019	language en	Page 1/1