



NEMA Motor Data

MLFB-Ordering data : 1LE2221-2AA11-3AA3

Client order no. :
Order no. :
Offer no. :
Remarks :

Item no. :
Consignment no. :
Project :

Nameplate Data	Mounting and motor protection
----------------	-------------------------------

Type: GP100 - NEMA Premium Efficiency			
HP	7.5	Rating	Cont.
Voltage	(13) 575V STD, 60Hz	Ins. Class	Class F (Standard)
Amps	7.0 A	S.F.	1.15
FL RPM	3520	Amb. Temp.	+40C TO -20C
FL Efficiency	89.5 %	Temp. Rise	Class B
FRAME	213T	kVA Code	H
DE AFBMA	40BC02JPP30	NEMA Des	B
ODE AFBMA	40BC02JPP30	Mtr WT	209
60 Hertz	3 Ph	TEFC	IP 55

Type of construction	(A) Foot mounted - End shield
Motor protection	(A) Without Protection
Terminal box design	(3) F-1, Standard Floor Mount, T. Box

Bearing Data		
	DE	ODE
Bearing Size	6208 ZZ C3 S0	6208 ZZ C3 S0
Bearing Type	Ball Bearing	Ball Bearing
AFBMA	40BC02JPP30	40BC02JPP30

Typical Performance Data					
--------------------------	--	--	--	--	--

Load	No Load	1/2	3/4	Full Load	LRC
Efficiency		89.6 %	90.1 %	89.5 %	
Power Factor		78.5	86.8	89.2	
Current (A)	2.4 A	4.0 A	5.4 A	7.0 A	50.4 A
Inverter Duty	VT	20:1	CT	4:1	

Mechanical Data				
-----------------	--	--	--	--

SAFE STALL TIME	HOT (s)	17	COLD (s)	30
Rtr wt (lbs)	29.49	Rtr WK2	0.42	
FLT (lb-ft)	11.0	LRT (%)	182	BDT (%) 500
Ext Load Inertia (WK2) Capability	8.3 lb-ft ²			
Brake:	without			

Typical Noise Data										
--------------------	--	--	--	--	--	--	--	--	--	--

A-weighted Sound	Octave Band Center Frequencies Hertz (Hz)								
Pressure Level	125	250	500	1000	2000	4000	8000	SPL	66
at 3 feet	36	53	55	63	62	58	47	SPwrL	78

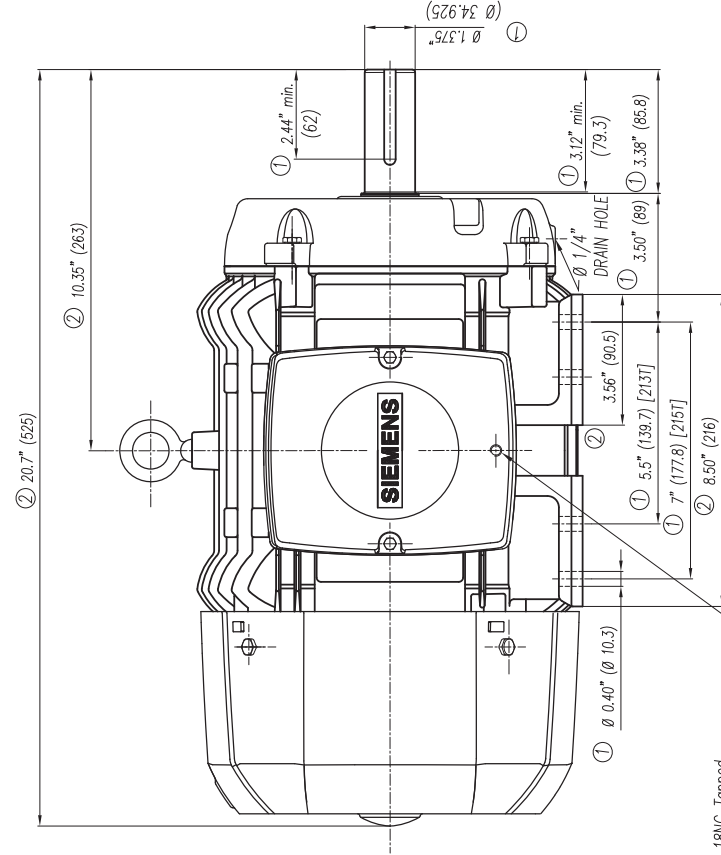
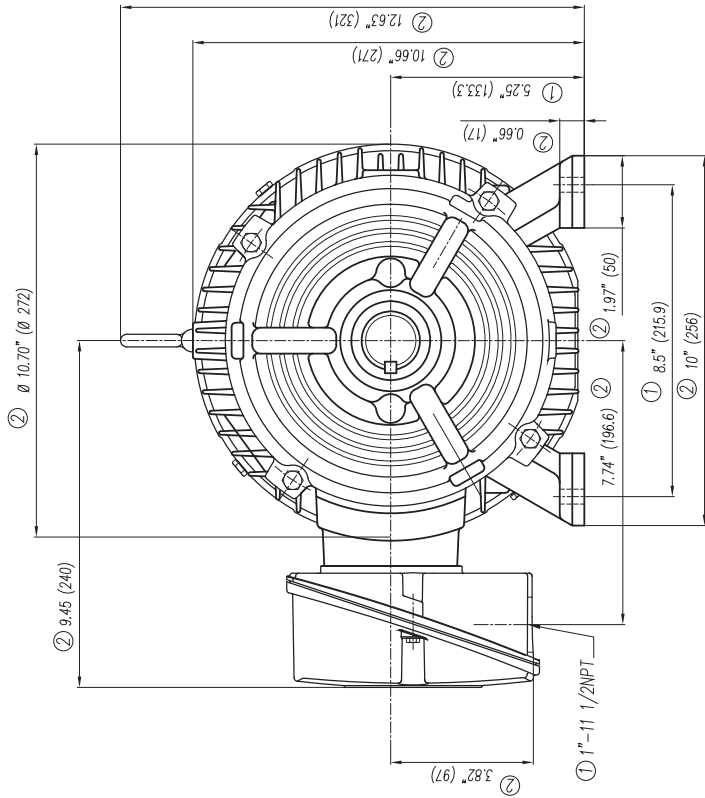
Wiring Connection Information					
-------------------------------	--	--	--	--	--

Description	3 PHASE - 3 LEAD - WYE				
Voltage	L1	L2	L3	Connected together	
-----	-----	-----	-----	-----	-
-----	T1	T2	T3	-----	Y

Special design :

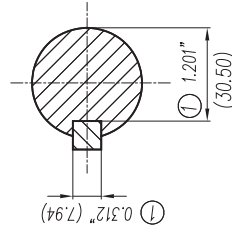
Lubrication Information	
-------------------------	--

Manufacturer	Mobil Polyrex EM or equal
Type	Polyurea (standard)
DE Capacity (oz.)	0.30
ODEnd Capacity (oz.)	0.30



5/16" - 18NC Tapped Hole for Grounding both sides of Frame

- ① Tolerances According to NEMA Std.
- ② All these dimensions corresponding to assemblies and castings shall have a tolerance as per DIN standard 1686-GTB 19.
- ③ Not According to NEMA Std.



Keyseat detail
Detalle Cúñero

CERTIFIED PRINT/CERTIFICACION			
CUSTOMER/CLIENTE		SIEMENS/CLIENTE	
IP	REV	FRANK/REV	TYPE/TPP
		VALS	PHAFAS
			REV

Tol. in mm. acc. to/Tot. en mm. según DIN-1686-GTB-19	Over/desde	To/hasta
---	18	± 4.5
	30	± 4.7
	50	± 5
	80	± 5.5
	120	± 6
	180	± 6.5
	250	± 7
	315	± 7.5
	400	± 8
	500	± 8.5
	630	± 9.5
	800	± 10

European Projection/Proyección Europea	Date/Fecha	Name/Nombre
---	03/03/08	Guzmán
Dim. in inches/Dim. en pulg.	Drawn/Elab	Check/Rev.

	Std.Ckd./Aut	

Scale/Esca Sin W/O		Type/Tip gp100 213/215T Arm.	
Outline/Dimensiones New NEMA Motors		3MSE 222 0850a	
SIEMENS GUADALAJARA FACTORY		Ref. Rep./ 3MSE 222 0850 Sd.	

g) Se cambió formato a Inglés-Español y se especificó tipos en los que aplica este dibujo.
g) Changed the format to English-Spanish and was specified in what kind of motors apply this drawing.

2

1

B

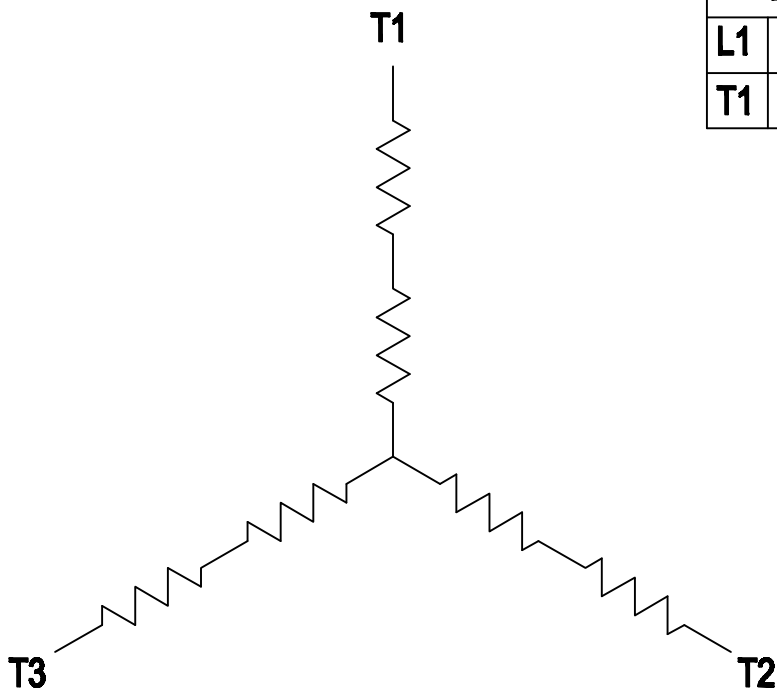
B

A

A

3 PHASE - 3 LEADS - WYE

LINES			CONN.
L1	L2	L3	
T1	T2	T3	Y



THIS IS A CAD DRAWING
DO NOT MAKE MANUAL CHANGES

01	09-27-07	TYPE		-CONFIDENTIAL- PROPERTY OF Siemens Energy & Automation, Inc. Industrial Motor Division - Little Rock, AR	
		FRAME	HP	NAME WIRING DIAGRAM	
		VOLTS	RPM	HZ	PH 3
		DRAWN 9.24.07 DATE JRH		Customer	
		CHECKED	DATE	PO #	SO #
		APP	DATE	SHEET 1 OF 1	Sim. To
		PART NO. 51-382-114-503			A

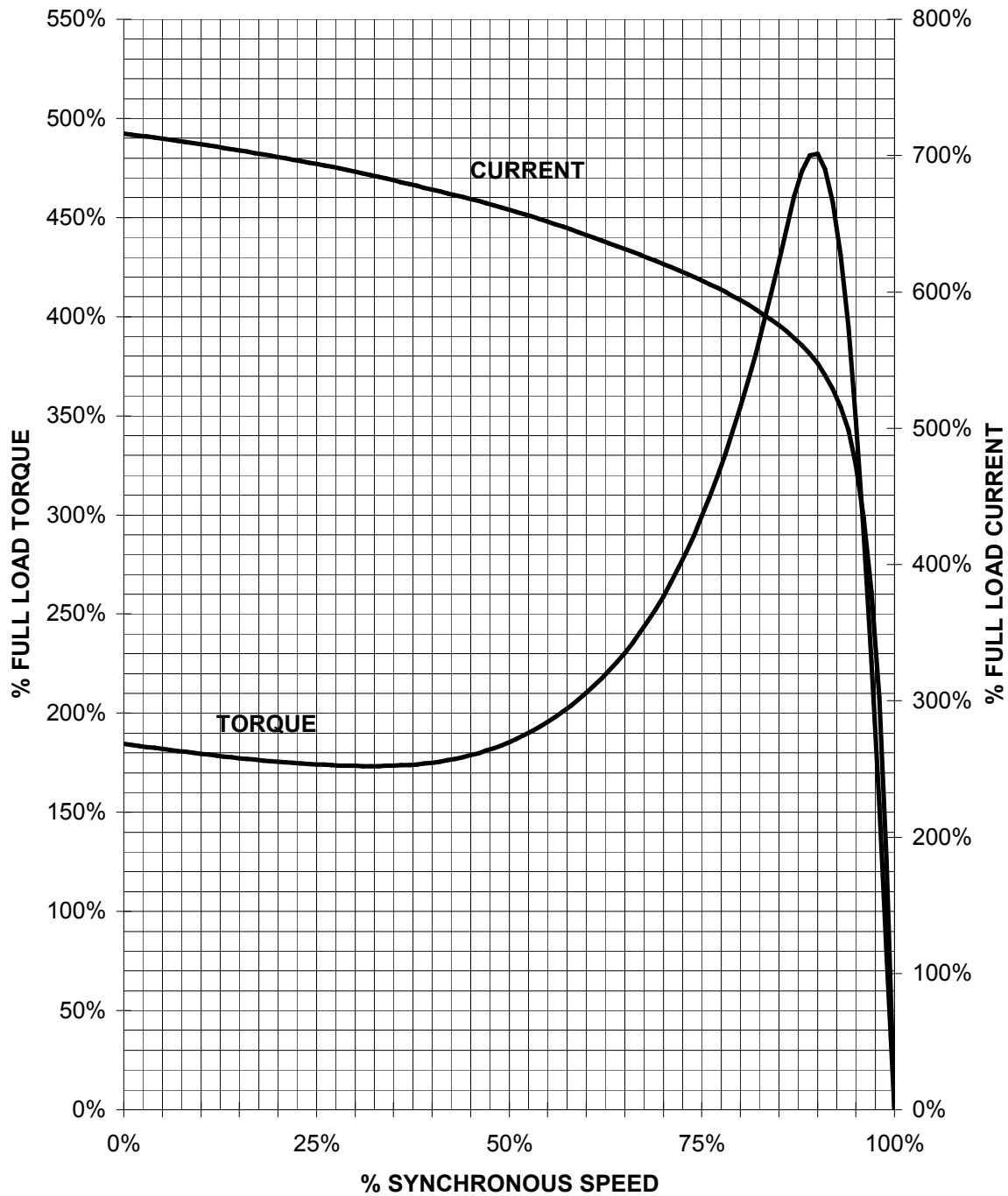
2

1

SIEMENS INDUSTRY, INC.

HP 7,5 VOLTS < 600V RPM 3600 TYPE GP100
HZ 60 PHASE 3 FRAME 213T NEMA B

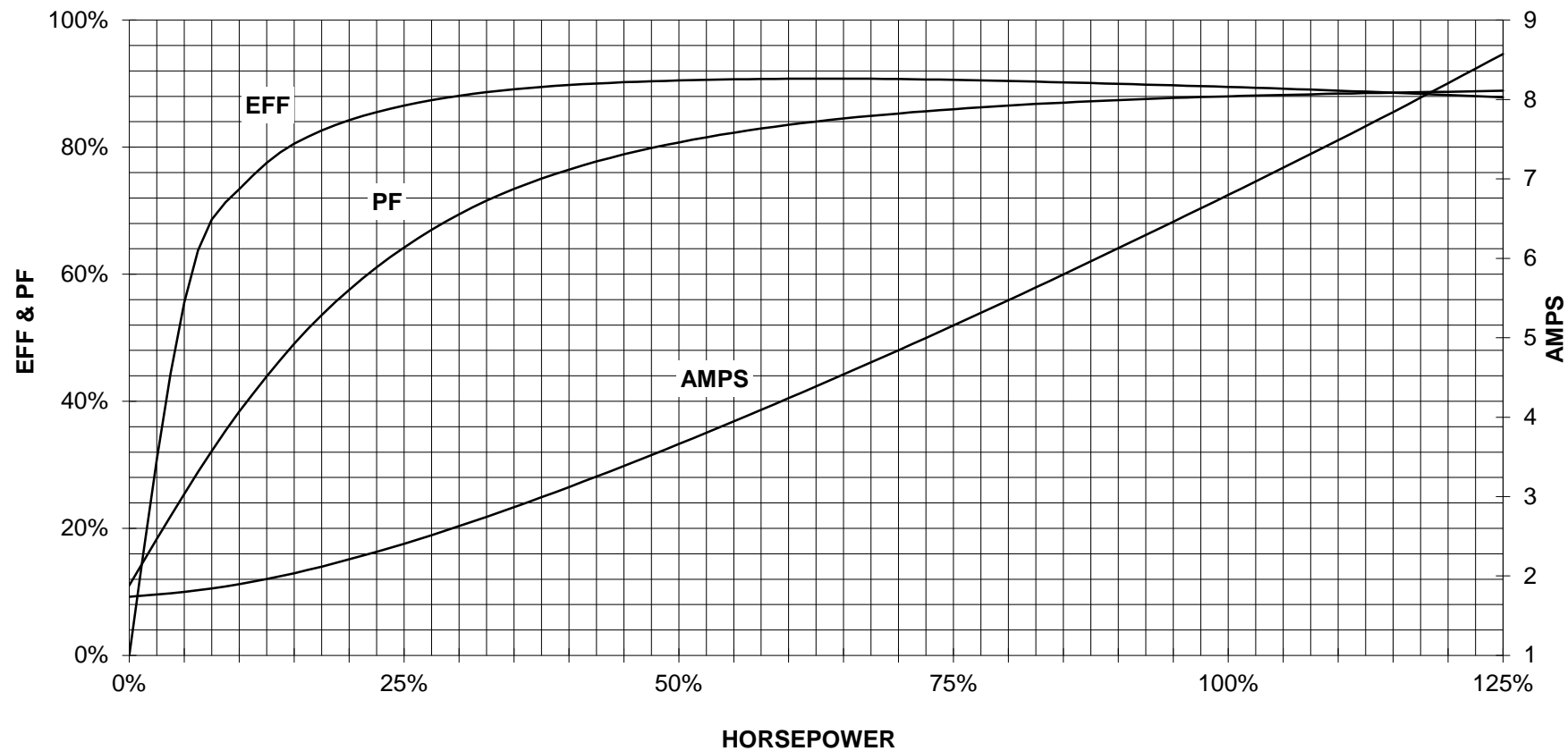
TORQUE & CURRENT VS. SPEED



CUSTOMER: _____ ORDER#: _____

7.5 HP 3600 RPM 213T FRAME 575 VOLTS 3 PHASE NEMA DESIGN B

SIEMENS INDUSTRY, INC.
PERFORMANCE CURVE
GP100



CUSTOMER _____ ORDER # _____ PO # _____

PERFORMANCE BASED ON DESIGN CALCULATIONS. SUBJECT TO CHANGE WITHOUT NOTICE.

REV. 1