



NEMA Motor Data

MLFB-Ordering data : 1LE2221-2AA21-4AA3

Client order no. :
Order no. :
Offer no. :
Remarks :

Item no. :
Consignment no. :
Project :

Nameplate Data	Mounting and motor protection
----------------	-------------------------------

Type: GP100 - NEMA Premium Efficiency

HP	10.0	Rating	Cont.
Voltage	(14) 230/460V, 60Hz (Suitable for 208V)	Ins. Class	Class F (Standard)
Amps	23.0 / 11.5 A	S.F.	1.15
FL RPM	3515	Amb. Temp.	+40C TO -20C
FL Efficiency	90.2 %	Temp. Rise	Class B
FRAME	215T	kVA Code	H
DE AFBMA	40BC02JPP30	NEMA Des	B
ODE AFBMA	40BC02JPP30	Mtr WT	208
60 Hertz	3 Ph TEFC	IP	55

Type of construction	(A) Foot mounted - End shield
Motor protection	(A) Without Protection
Terminal box design	(3) F-1, Standard Floor Mount, T. Box

Bearing Data		
	DE	ODE
Bearing Size	6208 ZZ C3 S0	6208 ZZ C3 S0
Bearing Type	Ball Bearing	Ball Bearing
AFBMA	40BC02JPP30	40BC02JPP30

Typical Performance Data					
--------------------------	--	--	--	--	--

Load	No Load	1/2	3/4	Full Load	LRC
Efficiency		91.0 %	91.1 %	90.2 %	
Power Factor		81.5	88.8	90.3	
Current (A)	3.5 A	6.3 A	8.7 A	23.0 / 11.5	81.0 A
Inverter Duty	VT	20:1	CT	4:1	

Mechanical Data				
-----------------	--	--	--	--

SAFE STALL TIME	HOT (s)	14	COLD (s)	28
Rtr wt (lbs)	33.16	Rtr WK2	0.51	
FLT (lb-ft)	15.0	LRT (%)	180	BDT (%) 440
Ext Load Inertia (WK2) Capability	11.0 lb-ft ²			
Brake:	without			

Typical Noise Data										
--------------------	--	--	--	--	--	--	--	--	--	--

A-weighted Sound	Octave Band Center Frequencies Hertz (Hz)								
Pressure Level	125	250	500	1000	2000	4000	8000	SPL	66
at 3 feet	36	53	55	63	62	58	47	SPwrL	78

Wiring Connection Information					
-------------------------------	--	--	--	--	--

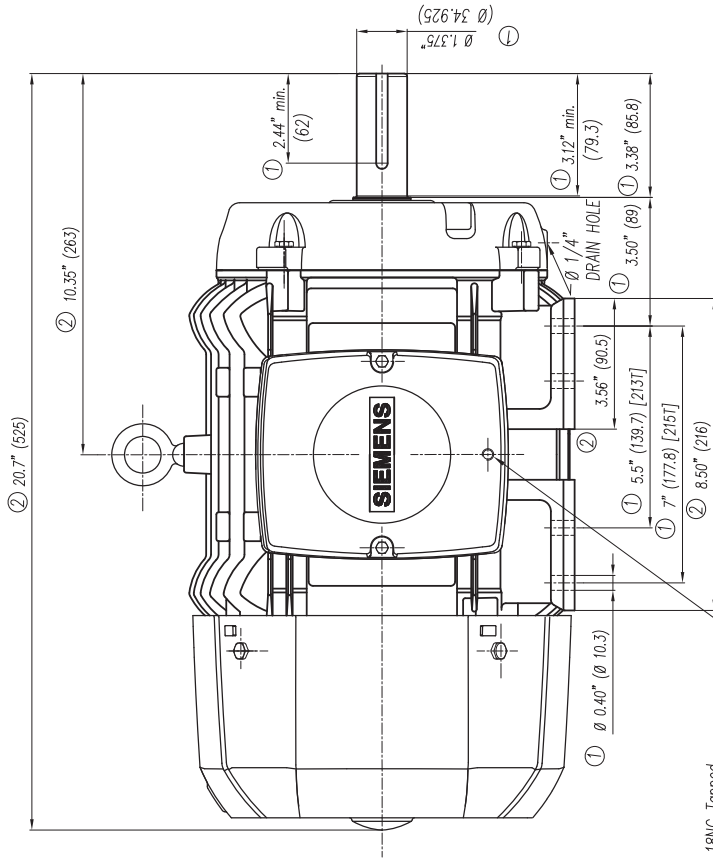
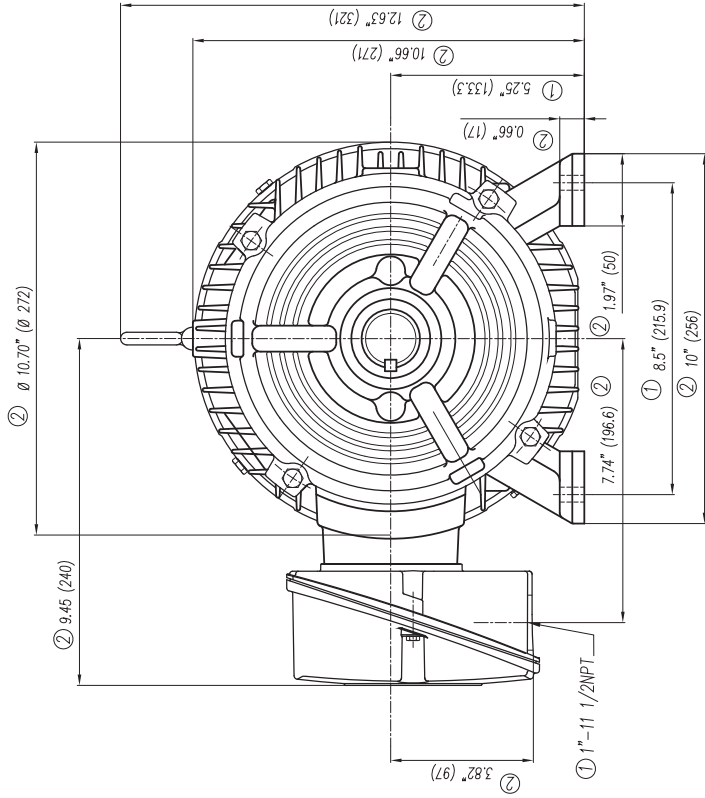
Description 3 PHASE - 9 LEAD - WYE

Voltage	L1	L2	L3	Connected together	
LOW	T1 T7	T2 T8	T3 T9	T4 T5 T6	YY
HIGH	T1	T2	T3	T4 T7-T5 T8-T6 T9	Y

Special design :

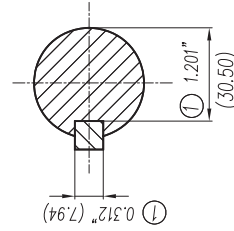
Lubrication Information	
-------------------------	--

Manufacturer	Mobil Polyrex EM or equal
Type	Polyurea (standard)
DE Capacity (oz.)	0.30
ODEnd Capacity (oz.)	0.30



5/16" - 18NC Tapped Hole for Grounding both sides of Frame

- ① Tolerances According to NEMA Std.
- ② All these dimensions corresponding to assemblies and castings shall have a tolerance as per DIN standard 1686-GTB 19.
- ③ Not According to NEMA Std.
- ④ Tolerancias acorde a NEMA Std.
- ⑤ Todas estas dimensiones correspondientes a ensambles y fundición en bruto tendrán una tolerancia según DIN 1686-GTB-19
- ⑥ No Acorde a NEMA Std.



Keyseat detail
Detalle Cuiño

CERTIFIED PRINT/CERTIFICACION			
CUSTOMER/CLIENTE			
PWA/OSER/COMRA		SIA/ORDEN/CLIENTE	
IP	RPW	FRANK/GR	TYPE/TPP
		VALS	PHAFS
			RE

Tol. in mm. acc. to/Tot. en mm. según DIN-1686-GTB-19	Over/desde To/Hasta	± 4.5	± 4.7
---	18	30	50
	30	50	80
	50	80	120
	80	120	180
	120	180	250
	180	250	315
	250	315	400
	315	400	500
	400	500	630
	500	630	800
	630	800	± 10

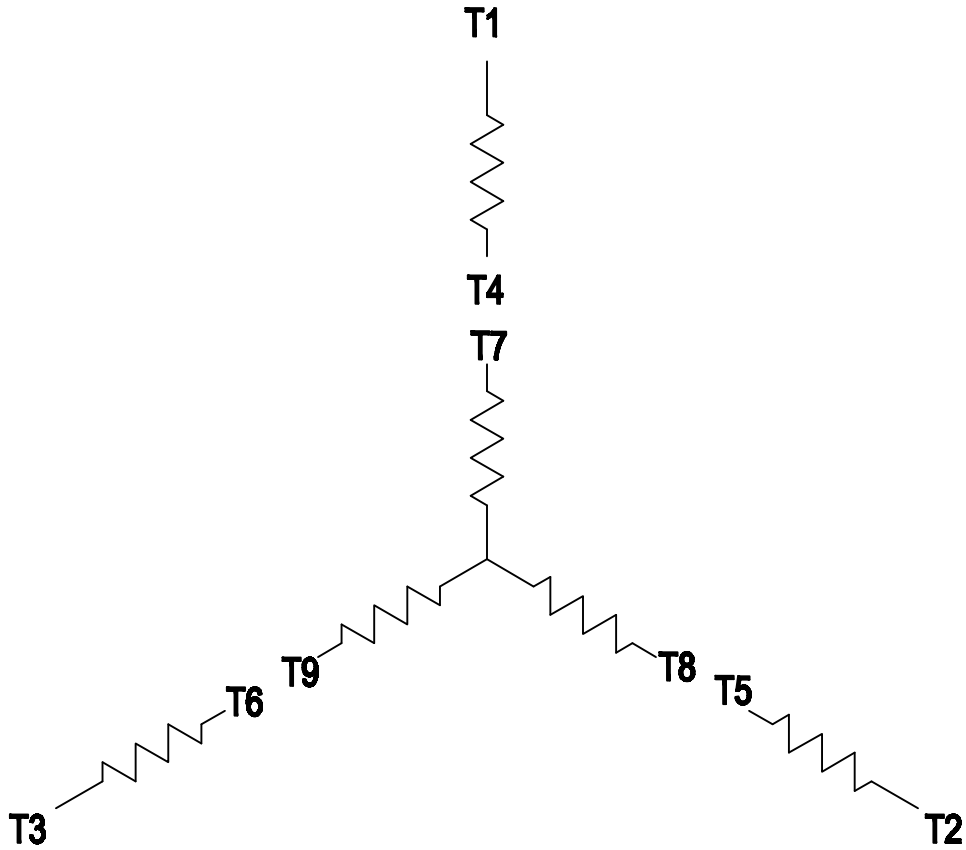
European Projection/Proyección Europea	Date/Fecha	Name/Nombre
Dim. in inches/Dim. en pulg.	03/03/08	Guzmán
Drawn/Elab	Check/Rev.	Std.Ckd./Aut

Scale/ Escala		Type/ Tipo: GP100 213/215T Arm.
Sin W/O		
Outline/Dimensiones New NEMA Motors		
3MSE 222 0850a		
Ref. Rep./ 3MSE 222 0850 Sd6		

g) Se cambió formato a Inglés-Español y se especificó tipos en los que aplica este dibujo.
g) Changed the format to English-Spanish and was specified in what kind of motors apply this drawing.

3 PHASE - 9 LEADS - WYE

VOLTS	LINES			CONNECTED TOGETHER	CONN.
	L1	L2	L3		
LOW	T1 T7	T2 T8	T3 T9	T4 T5 T6	Y Y
HIGH	T1	T2	T3	T4 T7-T5 T8-T6 T9	Y



THIS IS A CAD DRAWING
DO NOT MAKE MANUAL CHANGES

01 | 09-27-07

TYPE

-CONFIDENTIAL-

PROPERTY OF

Siemens Energy & Automation, Inc.
Industrial Motor Division - Little Rock, AR

FRAME

HP

NAME

WIRING DIAGRAM

VOLTS

RPM

HZ

PH

3

Customer

PO #

SO #

DRAWN	9.24.07	DATE	JRH
CHECKED		DATE	
APP		DATE	

SHEET 1 OF 1

Sim. To

PART NO.

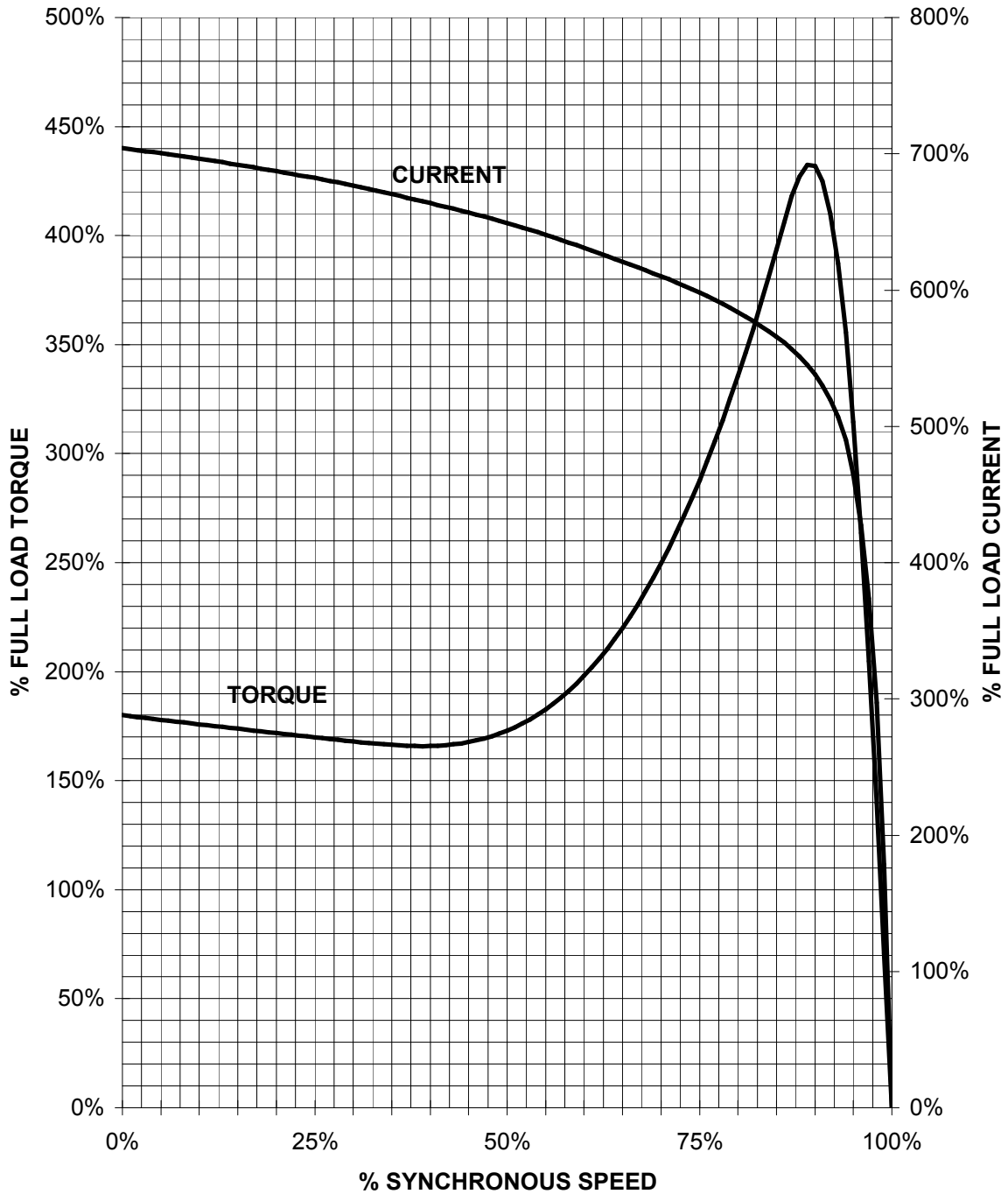
51-382-114-501

A

SIEMENS INDUSTRY, INC.

HP 10 VOLTS < 600V RPM 3600 TYPE GP100
HZ 60 PHASE 3 FRAME 215T NEMA B

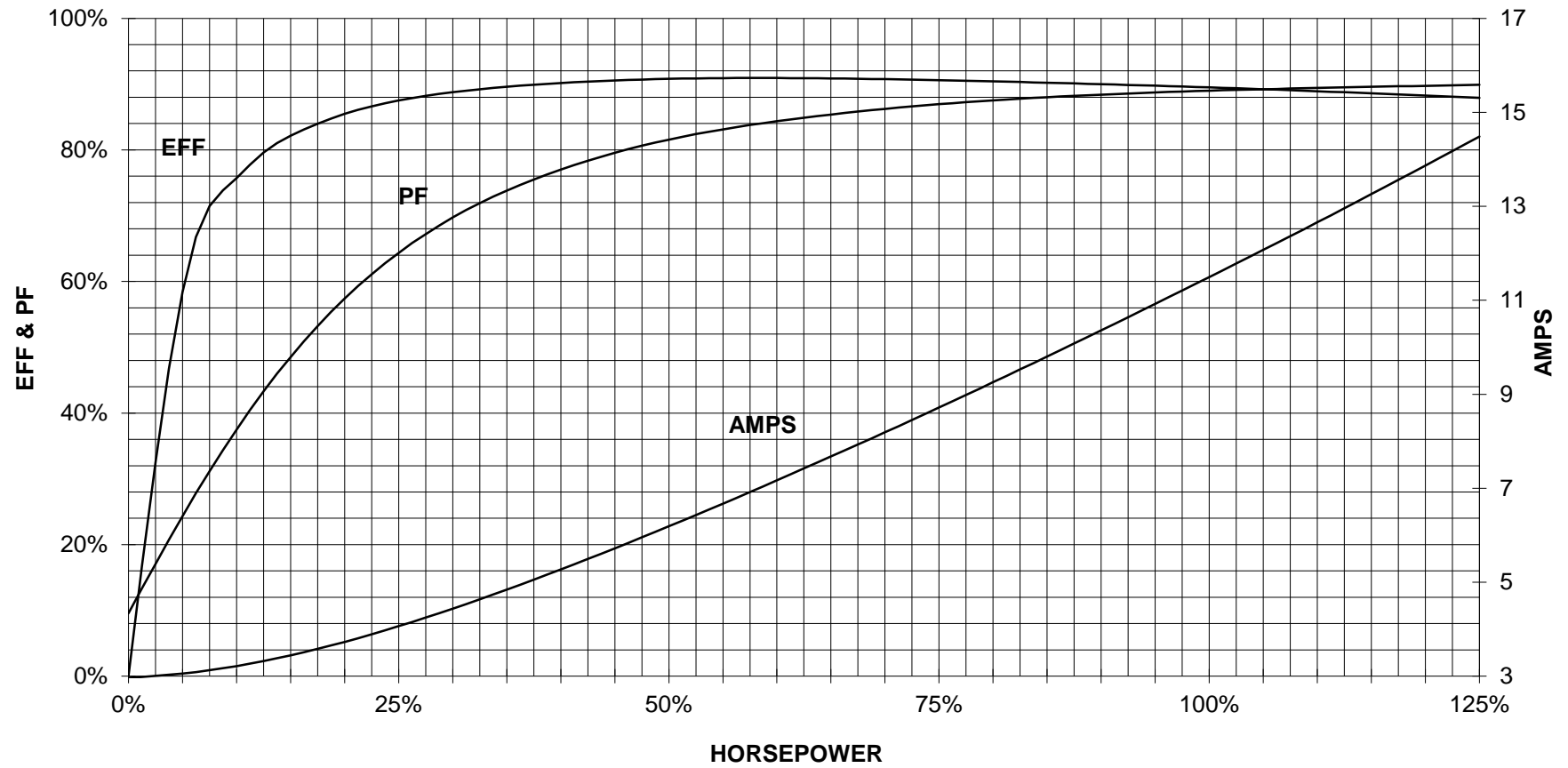
TORQUE & CURRENT VS. SPEED



CUSTOMER: _____ ORDER#: _____

10 HP 3600 RPM 215T FRAME 460 VOLTS 3 PHASE NEMA DESIGN B

SIEMENS INDUSTRY, INC.
PERFORMANCE CURVE
GP100



CUSTOMER _____ ORDER # _____ PO # _____

PERFORMANCE BASED ON DESIGN CALCULATIONS. SUBJECT TO CHANGE WITHOUT NOTICE.

REV. 1