



## NEMA Motor Data

MLFB-Ordering data : 1LE2221-2AB11-4AA3

Client order no. :  
Order no. :  
Offer no. :  
Remarks :

Item no. :  
Consignment no. :  
Project :

Nameplate Data	Mounting and motor protection
----------------	-------------------------------

Type: GP100 - NEMA Premium Efficiency

HP	7.5	Rating	Cont.
Voltage	(14) 230/460V, 60Hz (Suitable for 208V)	Ins. Class	Class F (Standard)
Amps	19.4 / 9.7 A	S.F.	1.15
FL RPM	1765	Amb. Temp.	+40C TO -20C
FL Efficiency	91.7 %	Temp. Rise	Class B
FRAME	213T	kVA Code	H
DE AFBMA	40BC02JPP30	NEMA Des	B
ODE AFBMA	40BC02JPP30	Mtr WT	165
60 Hertz	3 Ph TEFC	IP	55

Type of construction (A) Foot mounted - End shield  
Motor protection (A) Without Protection  
Terminal box design (3) F-1, Standard Floor Mount, T. Box

Bearing Data		
--------------	--	--

	DE	ODE
Bearing Size	6208 ZZ C3 S0	6208 ZZ C3 S0
Bearing Type	Ball Bearing	Ball Bearing
AFBMA	40BC02JPP30	40BC02JPP30

Typical Performance Data					
--------------------------	--	--	--	--	--

Load	No Load	1/2	3/4	Full Load	LRC
Efficiency		90.7 %	91.7 %	91.7 %	
Power Factor		60.5	72.3	78.9	
Current (A)	5.0 A	6.4 A	7.9 A	19.4 / 9.7 A	63.0 A
Inverter Duty	VT	20:1	CT	4:1	

Mechanical Data				
-----------------	--	--	--	--

SAFE STALL TIME	HOT (s)	25	COLD (s)	42
Rtr wt (lbs)	42.13	Rtr WK2	0.80	
FLT (lb-ft)	22.0	LRT (%)	273	BDT (%) 455
Ext Load Inertia (WK2) Capability	39.0 lb-ft <sup>2</sup>			
Brake:	without			

Typical Noise Data										
--------------------	--	--	--	--	--	--	--	--	--	--

A-weighted Sound	Octave Band Center Frequencies Hertz (Hz)									
Pressure Level	125	250	500	1000	2000	4000	8000	SPL	57	
at 3 feet	0	37	44	54	53	44	35	SPwrL	69	

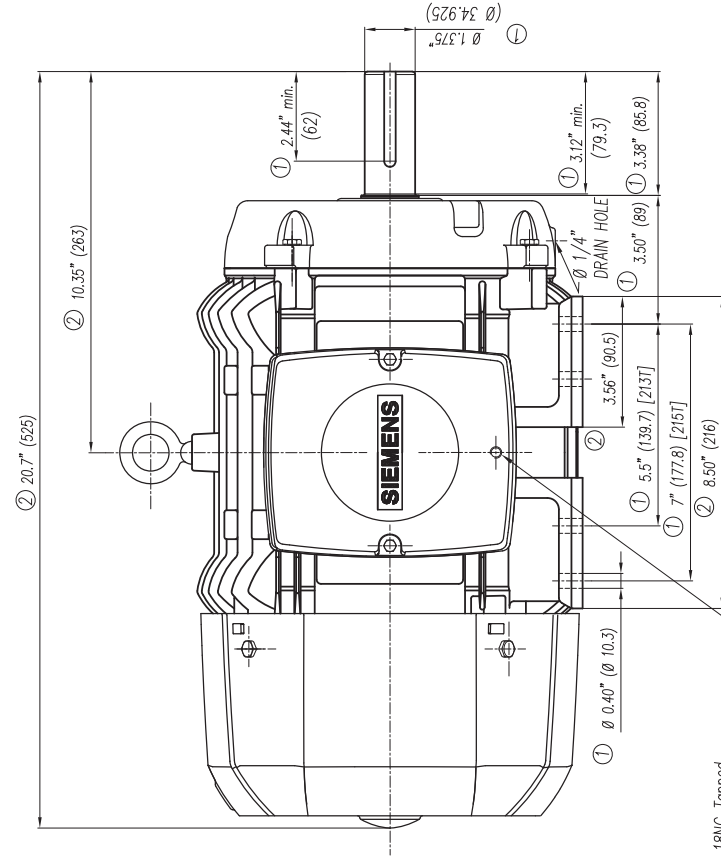
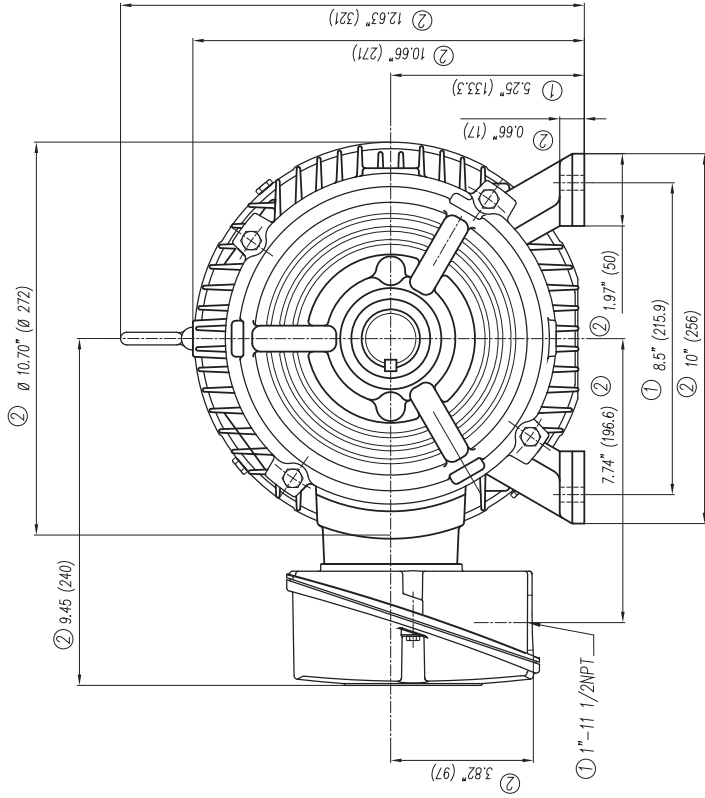
Wiring Connection Information					
-------------------------------	--	--	--	--	--

Description	3 PHASE - 9 LEAD - WYE				
Voltage	L1	L2	L3	Connected together	
LOW	T1 T7	T2 T8	T3 T9	T4 T5 T6 YY	
HIGH	T1	T2	T3	T4 T7-T5 T8-T6 T9 Y	

Special design :
------------------

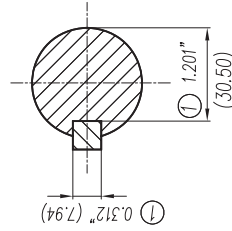
Lubrication Information	
-------------------------	--

Manufacturer	Mobil Polyrex EM or equal
Type	Polyurea (standard)
DE Capacity (oz.)	0.30
ODEnd Capacity (oz.)	0.30



5/16" -18NC Tapped Hole for Grounding both sides of Frame

- ① Tolerancias According to NEMA Std.
- ② All these dimensions corresponding to assemblies and castings shall have a tolerance as per DIN standard 1686-GTB 19.
- ③ Not According to NEMA Std.



Keyseat detail  
Detalle Cuiñero

<b>CERTIFIED PRINT/CERTIFICACION</b>			
CUSTOMER/CLIENTE			
PROYECTOR/COMPRA		SUNBORN/CLIENTE	
IP	REV	FRANK/ORA	TYPE/TPP
		VALS	PHAFAS
			RE

Tol. in mm. acc. to/Tot. en mm. segun DIN-1686-GTB-19	Over/desde To/hasta	± 4.5
---	18	± 4.7
	30	± 5
	50	± 5.5
	80	± 6
	120	± 6.5
	180	± 7
	250	± 7.5
	315	± 8
	400	± 8.5
	500	± 9.5
	630	± 10

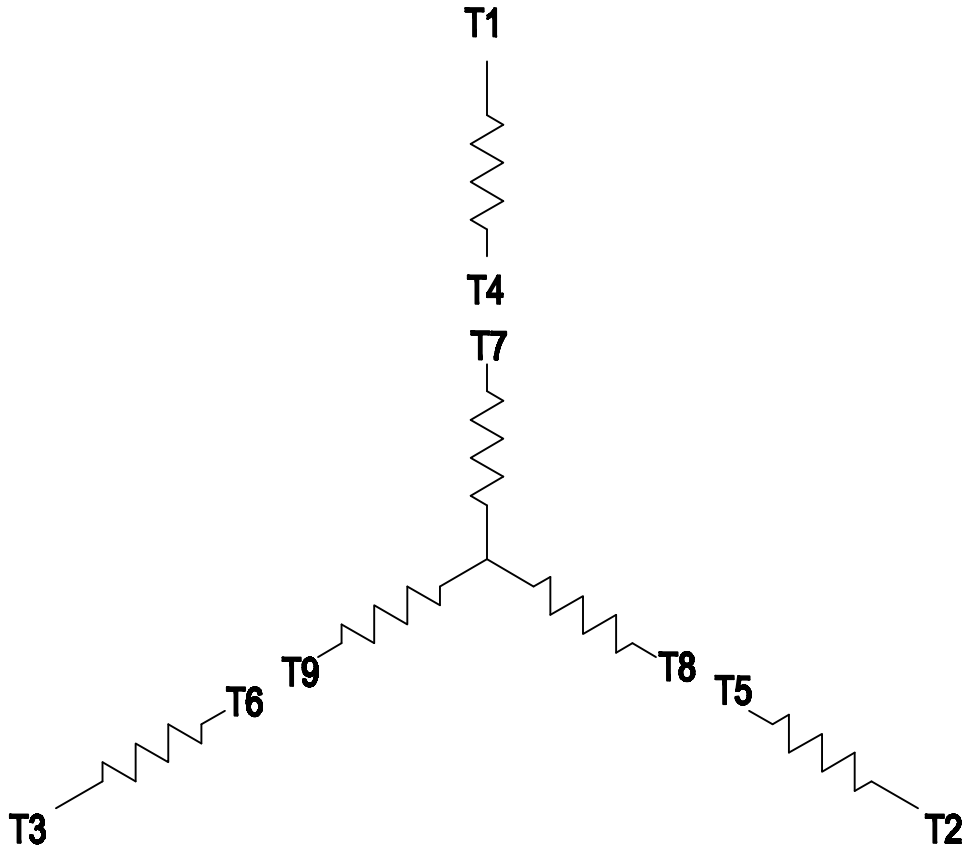
European Projection/Proyeccion Europea	Date/Fecha	Name/Nombre
Dim. in inches/Dim. en pulg.	03/03/08	Guzmán
Drawn/Elab	Check/Rev.	Std.Ckd./Aut

Scale/ Escala		Type/ Tipo: GP100 213/215T Arm.
Sin W/O		
<b>Outline/Dimensiones</b> New NEMA Motors		
SIEMENS		3MSE 222 0850a)
GUADALAJARA FACTORY		Ref. Rep./ 3MSE 222 0850 Sd6

g) Se cambió formato a Inglés-Español y se especificó tipos en los que aplica este dibujo.  
g) Changed the format to English-Spanish and was specified in what kind of motors apply this drawing.

### 3 PHASE - 9 LEADS - WYE

VOLTS	LINES			CONNECTED TOGETHER	CONN.
	L1	L2	L3		
LOW	T1 T7	T2 T8	T3 T9	T4 T5 T6	Y Y
HIGH	T1	T2	T3	T4 T7-T5 T8-T6 T9	Y



THIS IS A CAD DRAWING  
DO NOT MAKE MANUAL CHANGES

01 | 09-27-07

TYPE

-CONFIDENTIAL-

PROPERTY OF

Siemens Energy & Automation, Inc.  
Industrial Motor Division - Little Rock, AR

FRAME

HP

NAME

WIRING DIAGRAM

VOLTS

RPM

HZ

PH

3

Customer

PO #

SO #

DRAWN 9.24.07

DATE JRH

CHECKED

DATE

APP

DATE

SHEET

1 OF 1

Sim. To

PART NO.

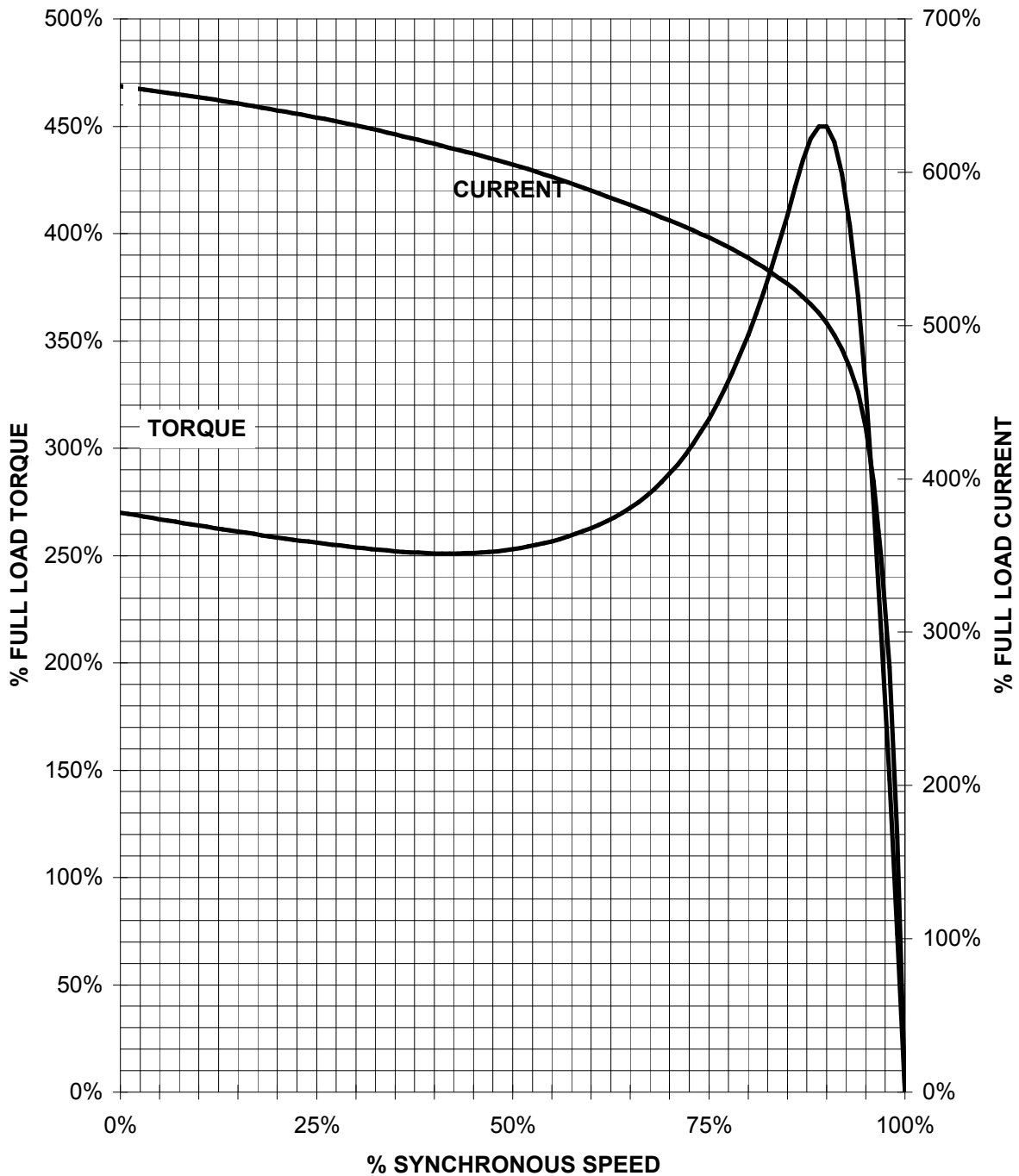
51-382-114-501

A

# SIEMENS INDUSTRY, INC.

HP 7.5 VOLTS < 600V RPM 1800 TYPE GP100  
HZ 60 PHASE 3 FRAME 213T NEMA B

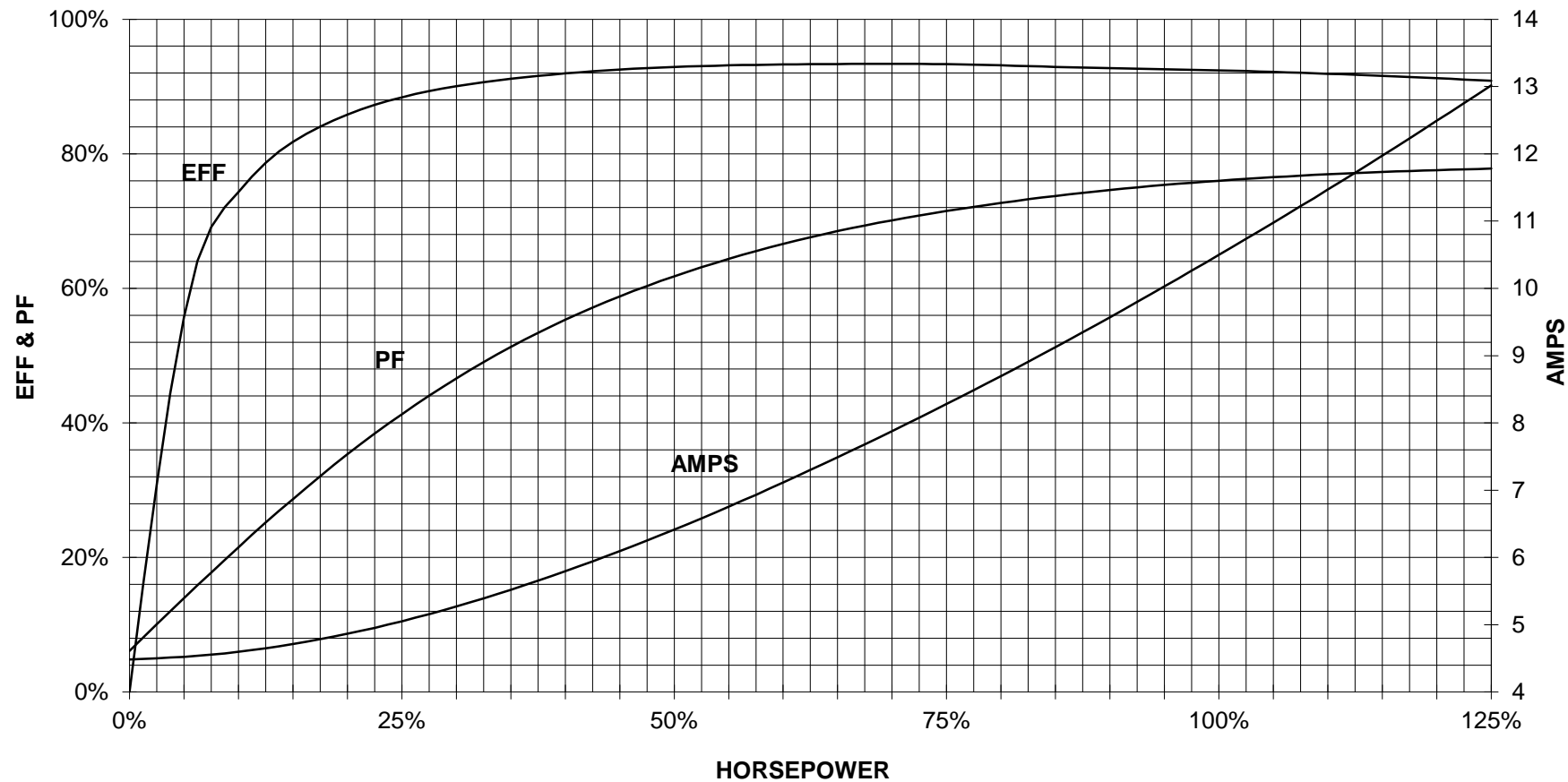
## TORQUE & CURRENT VS. SPEED



CUSTOMER: \_\_\_\_\_ ORDER#: \_\_\_\_\_

7.5 HP 1800 RPM 213T FRAME 460 VOLTS 3 PHASE NEMA DESIGN B

**SIEMENS INDUSTRY, INC.**  
**PERFORMANCE CURVE**  
**GP100**



CUSTOMER \_\_\_\_\_ ORDER # \_\_\_\_\_ PO # \_\_\_\_\_

PERFORMANCE BASED ON DESIGN CALCULATIONS. SUBJECT TO CHANGE WITHOUT NOTICE.

REV. 1