



NEMA Motor Data

MLFB-Ordering data : **1LE2221-2AB11-4EA3**

Client order no. :
Order no. :
Offer no. :
Remarks :

Item no. :
Consignment no. :
Project :

Nameplate Data	Mounting and motor protection
----------------	-------------------------------

Type: GP100 - NEMA Premium Efficiency			
HP	7.5	Rating	Cont.
Voltage	(14) 230/460V, 60Hz (Suitable for 208V)	Ins. Class	Class F (Standard)
Amps	19.4 / 9.7 A	S.F.	1.15
FL RPM	1765	Amb. Temp.	+40C TO -20C
FL Efficiency	91.7 %	Temp. Rise	Class B
FRAME	213TC	kVA Code	H
DE AFBMA	40BC02JPP30	NEMA Des	B
ODE AFBMA	40BC02JPP30	Mtr WT	165
60 Hertz	3 Ph TEFC	IP	55

Type of construction	(E) Foot mounted - C-Face
Motor protection	(A) Without Protection
Terminal box design	(3) F-1, Standard Floor Mount, T. Box

Bearing Data		
	DE	ODE
Bearing Size	6208 ZZ C3 S0	6208 ZZ C3 S0
Bearing Type	Ball Bearing	Ball Bearing
AFBMA	40BC02JPP30	40BC02JPP30

Typical Performance Data					
--------------------------	--	--	--	--	--

Load	No Load	1/2	3/4	Full Load	LRC
Efficiency		90.7 %	91.7 %	91.7 %	
Power Factor		60.5	72.3	78.9	
Current (A)	5.0 A	6.4 A	7.9 A	19.4 / 9.7 A	63.0 A
Inverter Duty	VT	20:1	CT	4:1	

Mechanical Data				
-----------------	--	--	--	--

SAFE STALL TIME	HOT (s)	25	COLD (s)	42
Rtr wt (lbs)	42.13	Rtr WK2	0.80	
FLT (lb-ft)	22.0	LRT (%)	273	BDT (%) 455
Ext Load Inertia (WK2) Capability	39.0 lb-ft ²			
Brake:	without			

Typical Noise Data										
--------------------	--	--	--	--	--	--	--	--	--	--

A-weighted Sound	Octave Band Center Frequencies Hertz (Hz)								
Pressure Level	125	250	500	1000	2000	4000	8000	SPL	57
at 3 feet	0	37	44	54	53	44	35	SPwrL	69

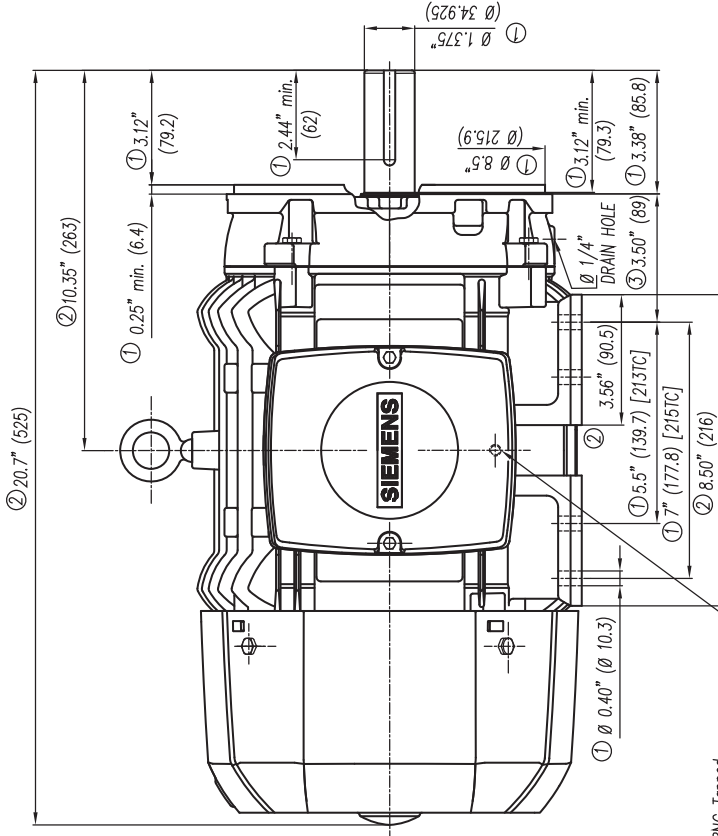
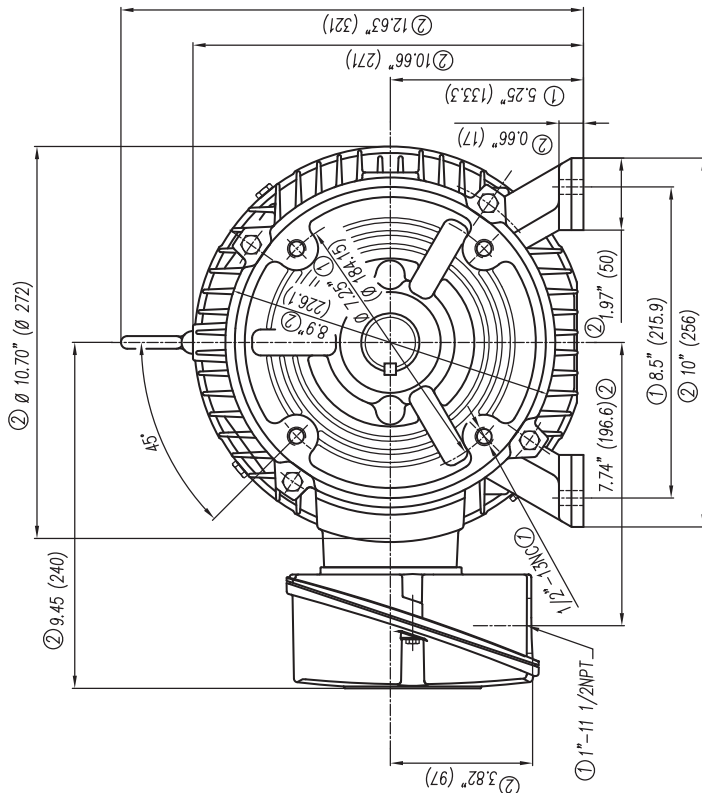
Wiring Connection Information					
-------------------------------	--	--	--	--	--

Description	3 PHASE - 9 LEAD - WYE				
Voltage	L1	L2	L3	Connected together	
LOW	T1 T7	T2 T8	T3 T9	T4 T5 T6 YY	
HIGH	T1	T2	T3	T4 T7-T5 T8-T6 T9 Y	

Special design :

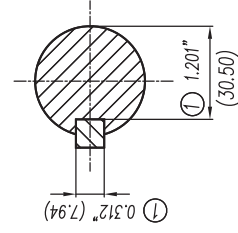
Lubrication Information	
-------------------------	--

Manufacturer	Mobil Polyrex EM or equal
Type	Polyurea (standard)
DE Capacity (oz.)	0.30
ODEnd Capacity (oz.)	0.30



5/16"-18NC Tapped Hole for Grounding both sides of Frame

- 1) Tolerances According to NEMA Std.
- 2) All these dimensions corresponding to assemblies and castings shall have a tolerance as per DIN standard 1686-GTB 19.
- 3) Not According to NEMA Std.



Keyseat detail
Detalle Cuñero

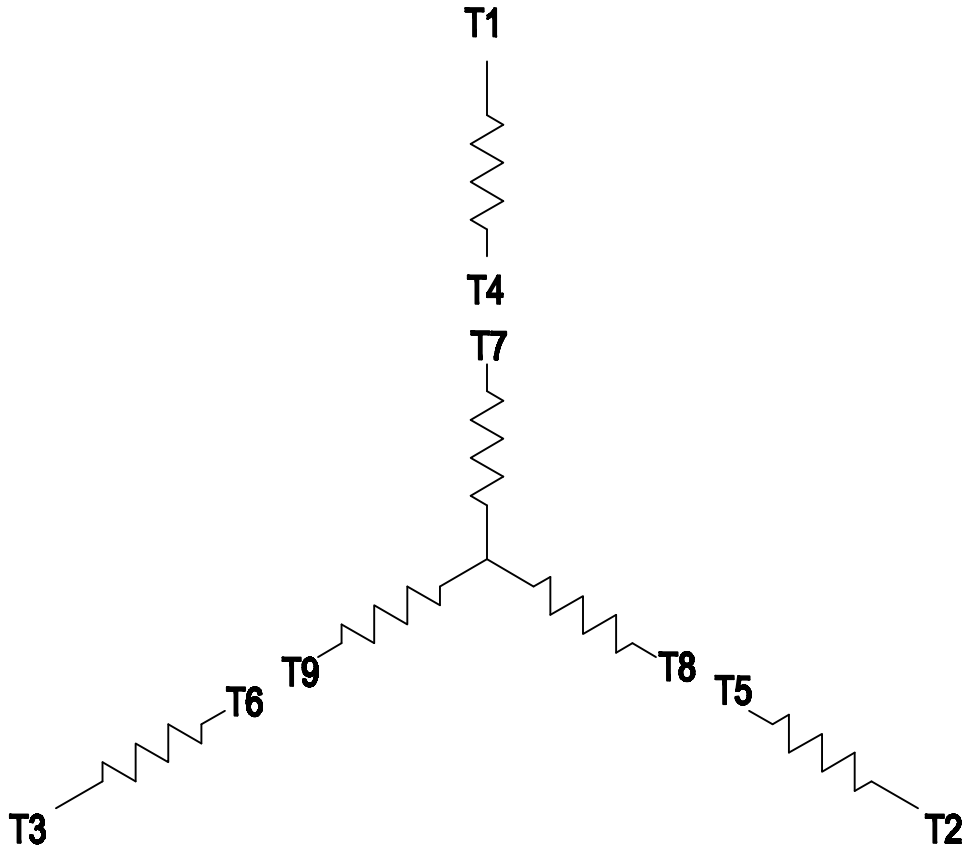
CERTIFIED PRINT/CERTIFICACION			
CUSTOMER/CIENTE			
SUPPLIER/COMPRADOR			
PP	FRM	FRM/FRM	FRM/FRM
PP	FRM	FRM/FRM	FRM/FRM

Tol. in mm. acc. to Tol. in mm. según DIN-1686-GTB-19	Over/hasta	± 4.5	± 4.7	± 5	± 5.5	± 6	± 6.5	± 7	± 7.5	± 8	± 8.5	± 9.5	± 10
18	30	50	80	120	180	250	315	400	500	630	800		
European Projection/Proyeccion Europea		Date/Fecha		Name/Nombre		Type/Tipos		Scale/Escala					
To d'fic.		03/03/08		Suzymari		GP100		New NEMA Motors					
Dim. in inches/Dim. en pulg.		213/215TC Arm.						3MSE 222 0851a)					
Drawn/Elab		Check/Rev.		Std.Cnd./Aut.		Ref.		3MSE 222 0851					
SIEMENS		SIEMENS		SIEMENS		SIEMENS		SIEMENS					
GUADALAJARA FACTORY		GUADALAJARA FACTORY		GUADALAJARA FACTORY		GUADALAJARA FACTORY		GUADALAJARA FACTORY					

a) Se cambio formato a Inglés-Español y se especificó tipos en los que aplica este dibujo.
 a) Changed the format to English-Spanish and was specified in what kind of motors apply this drawing.

3 PHASE - 9 LEADS - WYE

VOLTS	LINES			CONNECTED TOGETHER	CONN.
	L1	L2	L3		
LOW	T1 T7	T2 T8	T3 T9	T4 T5 T6	Y Y
HIGH	T1	T2	T3	T4 T7-T5 T8-T6 T9	Y



THIS IS A CAD DRAWING
DO NOT MAKE MANUAL CHANGES

01 | 09-27-07

TYPE

-CONFIDENTIAL-

PROPERTY OF

Siemens Energy & Automation, Inc.
Industrial Motor Division - Little Rock, AR

FRAME

HP

NAME

WIRING DIAGRAM

VOLTS

RPM

HZ

PH

3

Customer

PO #

SO #

DRAWN 9.24.07

DATE JRH

CHECKED

DATE

APP

DATE

SHEET

1 OF 1

Sim. To

PART NO.

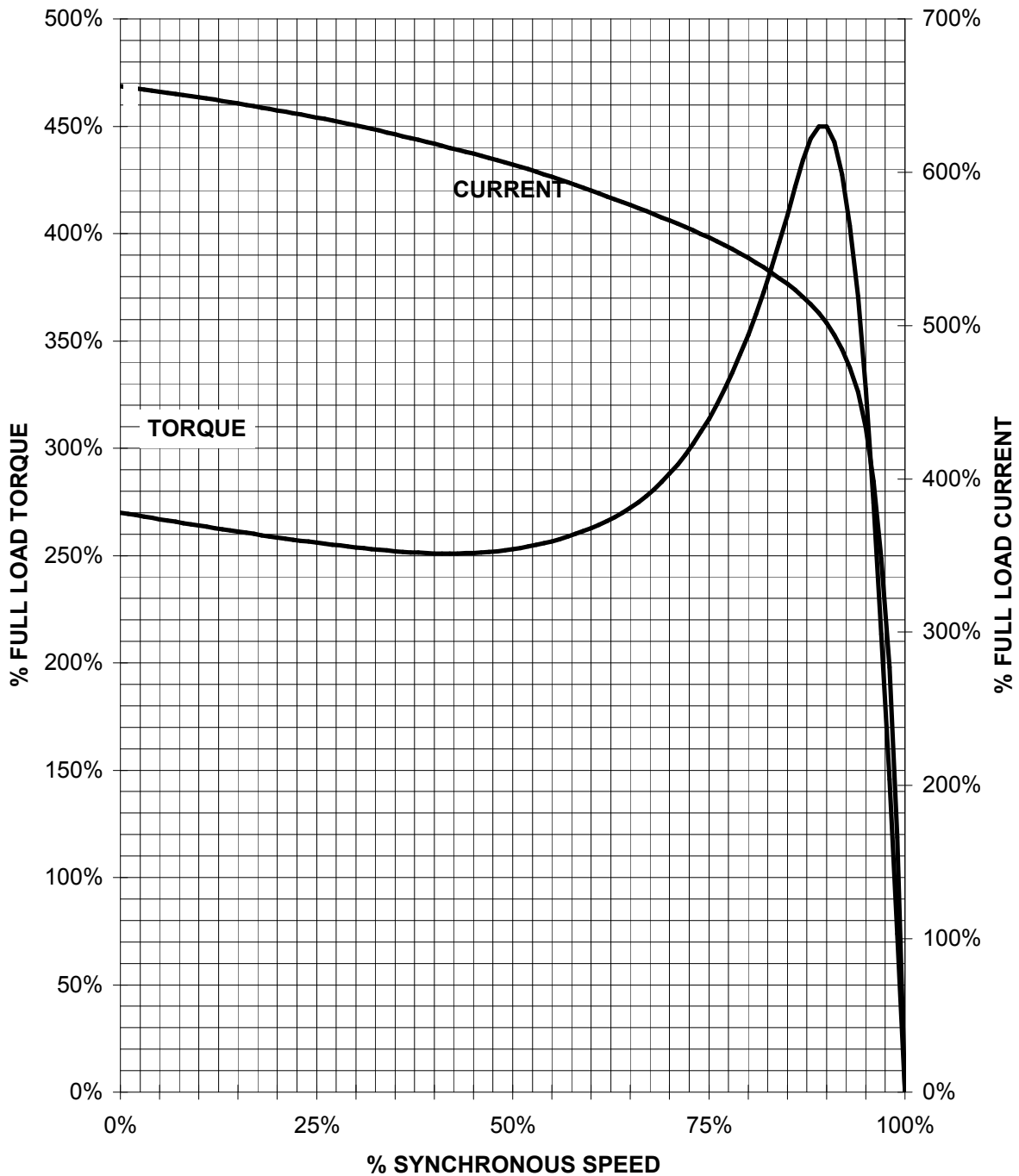
51-382-114-501

A

SIEMENS INDUSTRY, INC.

HP 7.5 VOLTS < 600V RPM 1800 TYPE GP100
HZ 60 PHASE 3 FRAME 213T NEMA B

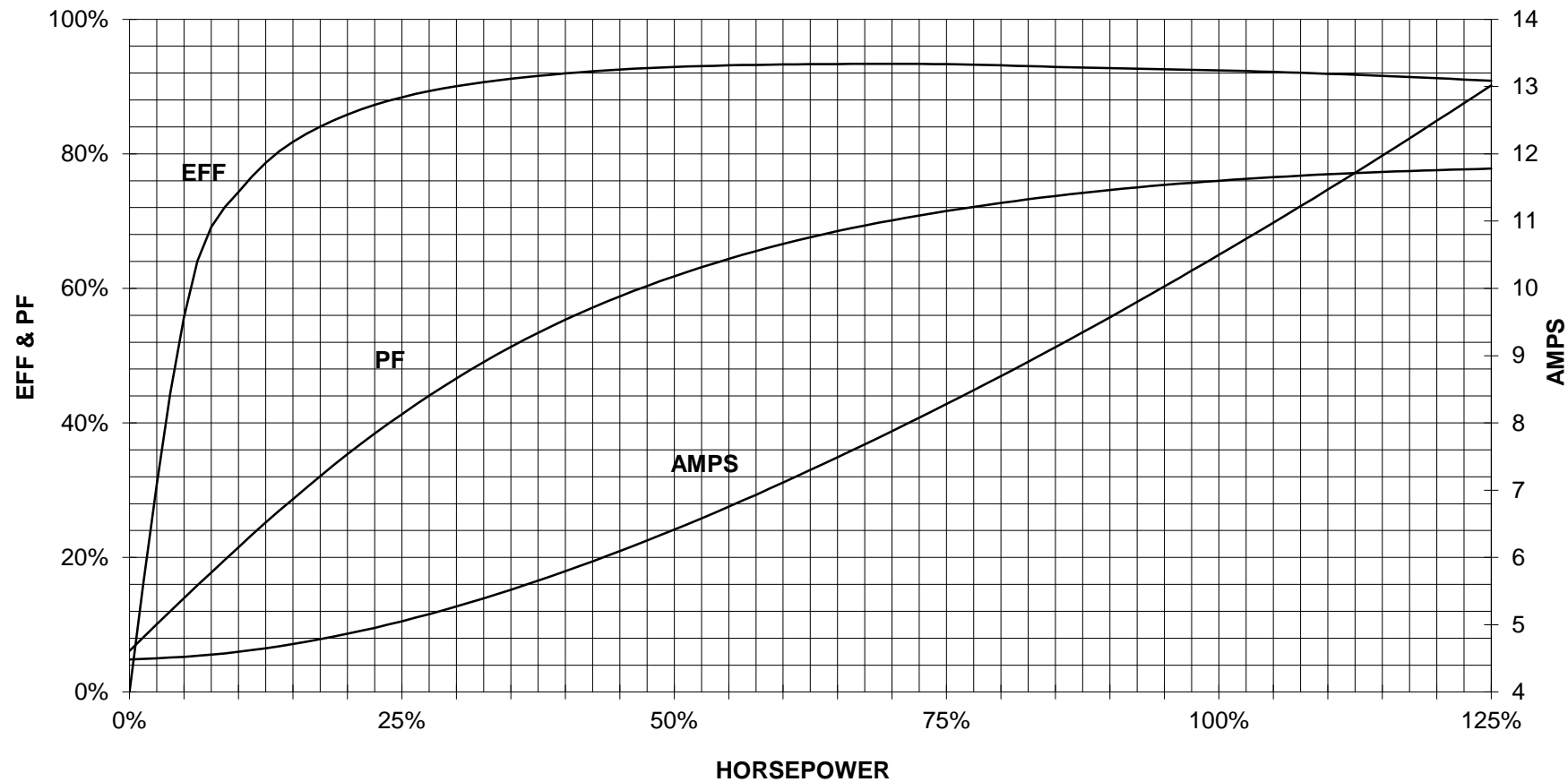
TORQUE & CURRENT VS. SPEED



CUSTOMER: _____ ORDER#: _____

7.5 HP 1800 RPM 213T FRAME 460 VOLTS 3 PHASE NEMA DESIGN B

SIEMENS INDUSTRY, INC.
PERFORMANCE CURVE
GP100



CUSTOMER _____ ORDER # _____ PO # _____

PERFORMANCE BASED ON DESIGN CALCULATIONS. SUBJECT TO CHANGE WITHOUT NOTICE.

REV. 1