



NEMA Motor Data

MLFB-Ordering data : 1LE2221-2AB21-4AA3

Client order no. :
Order no. :
Offer no. :
Remarks :

Item no. :
Consignment no. :
Project :

Nameplate Data	Mounting and motor protection
----------------	-------------------------------

Type: GP100 - NEMA Premium Efficiency

HP	10.0	Rating	Cont.
Voltage	(14) 230/460V, 60Hz (Suitable for 208V)	Ins. Class	Class F (Standard)
Amps	25.0 / 12.5 A	S.F.	1.15
FL RPM	1755	Amb. Temp.	+40C TO -20C
FL Efficiency	91.7 %	Temp. Rise	Class B
FRAME	215T	kVA Code	H
DE AFBMA	40BC02JPP30	NEMA Des	B
ODE AFBMA	40BC02JPP30	Mtr WT	166
60 Hertz	3 Ph TEFC	IP	55

Type of construction	(A) Foot mounted - End shield
Motor protection	(A) Without Protection
Terminal box design	(3) F-1, Standard Floor Mount, T. Box

Bearing Data		
	DE	ODE
Bearing Size	6208 ZZ C3 S0	6208 ZZ C3 S0
Bearing Type	Ball Bearing	Ball Bearing
AFBMA	40BC02JPP30	40BC02JPP30

Typical Performance Data					
--------------------------	--	--	--	--	--

Load	No Load	1/2	3/4	Full Load	LRC
Efficiency		91.7 %	92.2 %	91.7 %	
Power Factor		63.8	76.2	81.7	
Current (A)	6.1 A	8.0 A	10.0 A	25.0 / 12.5	81.0 A
Inverter Duty	VT	20:1	CT	4:1	

Mechanical Data			
-----------------	--	--	--

SAFE STALL TIME	HOT (s)	20	COLD (s)	36
Rtr wt (lbs)	44.63	Rtr WK2	0.86	
FLT (lb-ft)	30.0	LRT (%)	270	BDT (%) 410
Ext Load Inertia (WK2) Capability	51.0 lb-ft ²			
Brake:	without			

Typical Noise Data									
--------------------	--	--	--	--	--	--	--	--	--

A-weighted Sound	Octave Band Center Frequencies Hertz (Hz)								
Pressure Level	125	250	500	1000	2000	4000	8000	SPL	57
at 3 feet	0	37	44	54	53	44	35	SPwrL	69

Wiring Connection Information					
-------------------------------	--	--	--	--	--

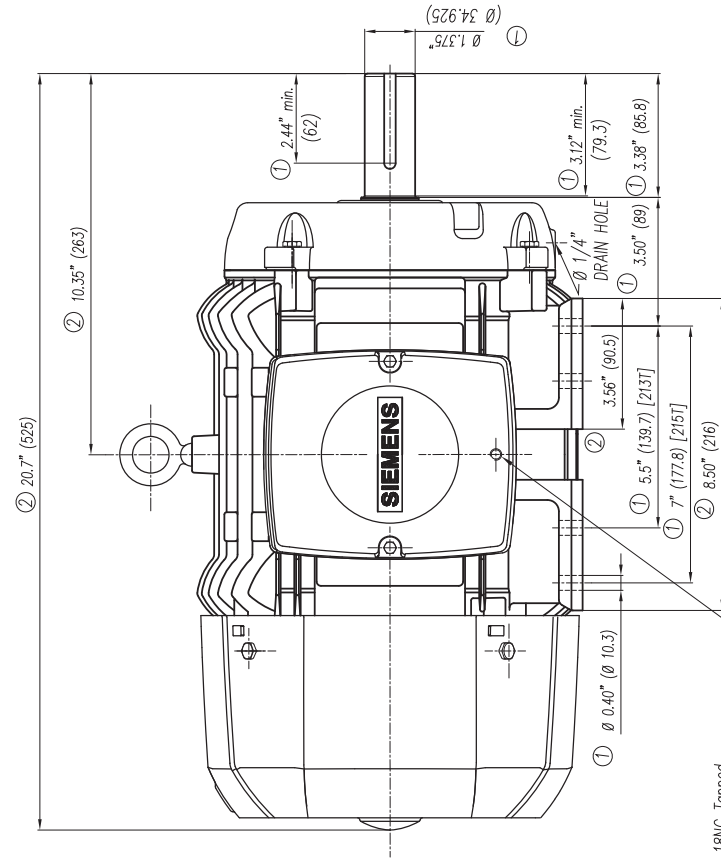
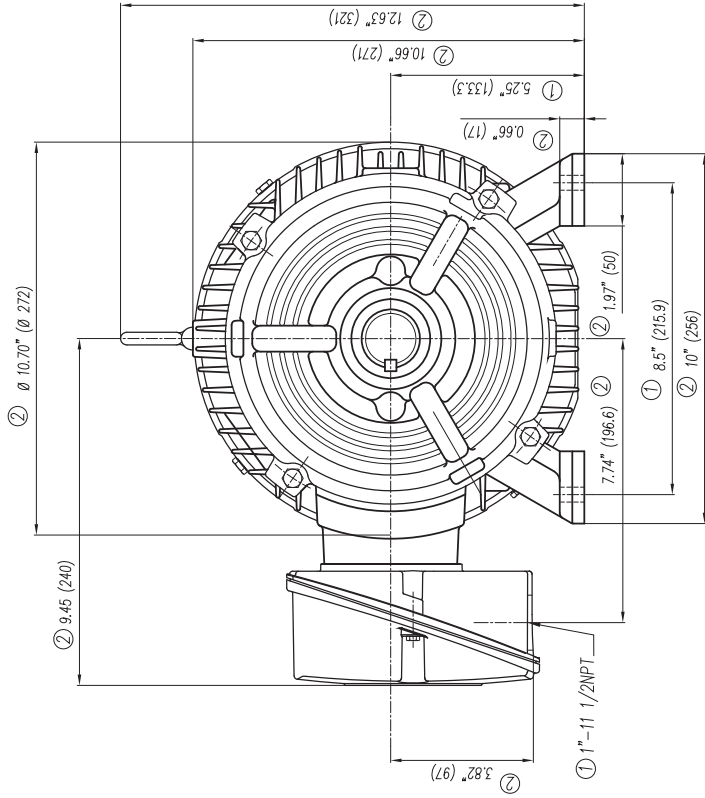
Description 3 PHASE - 9 LEAD - WYE

Voltage	L1	L2	L3	Connected together	
LOW	T1 T7	T2 T8	T3 T9	T4 T5 T6	YY
HIGH	T1	T2	T3	T4 T7-T5 T8-T6 T9	Y

Special design :

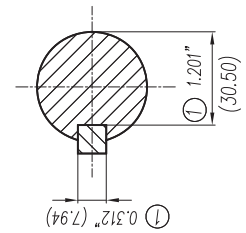
Lubrication Information	
-------------------------	--

Manufacturer	Mobil Polyrex EM or equal
Type	Polyurea (standard)
DE Capacity (oz.)	0.30
ODEnd Capacity (oz.)	0.30



5/16" - 18NC Tapped Hole for Grounding both sides of Frame

- ① Tolerances According to NEMA Std.
- ② All these dimensions corresponding to assemblies and castings shall have a tolerance as per DIN standard 1686-GTB 19.
- ③ Not According to NEMA Std.



Keyseat detail
Detalle Cúñero

CERTIFIED PRINT/CERTIFICACION			
CUSTOMER/CLIENTE			
PWA/OSHA COMPANY		SIA/ORDEN CLIENTE	
IP	RPW	FRANK/GR	TYPE/TPD
		VALS	PHAFAS
			RE

European Projection/ Proyeccion Europea		Date/Fecha 03/03/08	
Dim. in inches/Dim. en pulg.		Name/Nombre Guzmán	
Tol. in mm. acc. to/Tot. en mm. según DIN-1686-GTB-19		Type/ Tipo GP100 213/215T Arm.	
Over/desde	To/hasta	Scale/ Escala Sin W/O	
---	18	-	
---	30	-	
---	50	-	
---	80	-	
---	120	-	
---	180	-	
---	250	-	
---	315	-	
---	400	-	
---	500	-	
---	630	-	
---	800	-	

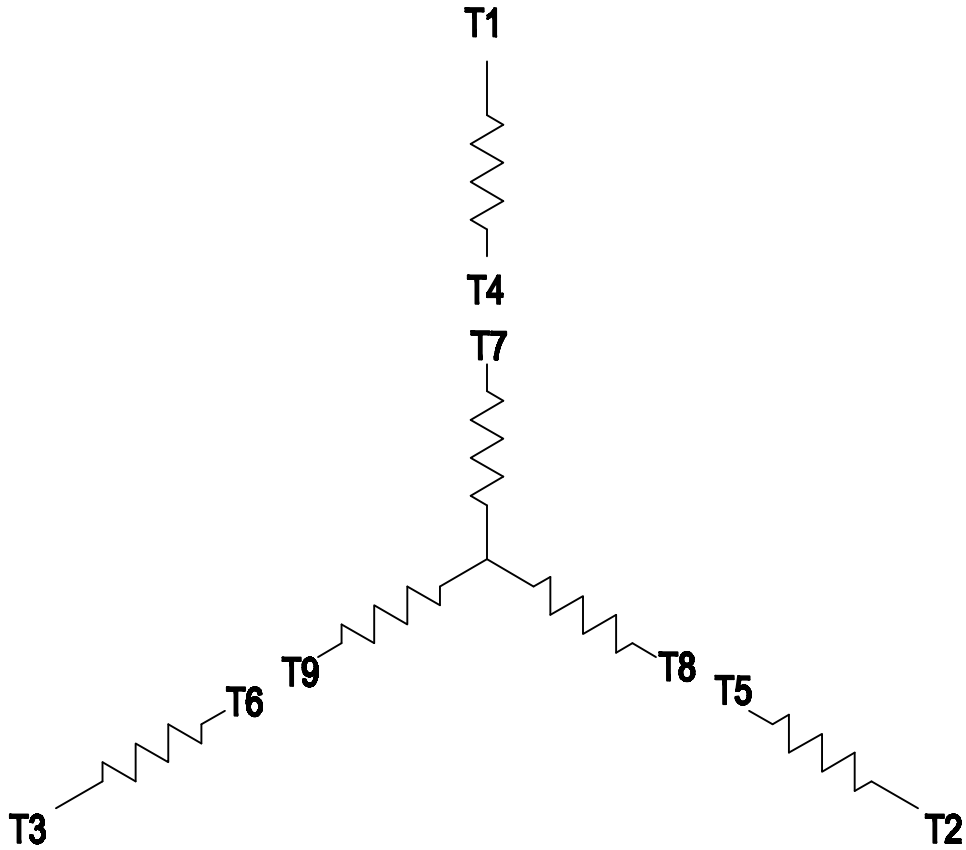
g) Se cambió formato a Inglés-Español y se especificó tipos en los que aplica este dibujo.
g) Changed the format to English-Spanish and was specified in what kind of motors apply this drawing.

Outline/Dimensiones New NEMA Motors	
Scale/ Escala	W/O
Type/ Tipo	GP100 213/215T Arm.
Ref.	3MSE 222 0850a
Rep./ 3MSE	222 0850
Scale/ Escala	W/O

SIEMENS
GUADALAJARA FACTORY

3 PHASE - 9 LEADS - WYE

VOLTS	LINES			CONNECTED TOGETHER	CONN.
	L1	L2	L3		
LOW	T1 T7	T2 T8	T3 T9	T4 T5 T6	Y Y
HIGH	T1	T2	T3	T4 T7-T5 T8-T6 T9	Y



THIS IS A CAD DRAWING
DO NOT MAKE MANUAL CHANGES

01 | 09-27-07

TYPE

-CONFIDENTIAL-

PROPERTY OF

Siemens Energy & Automation, Inc.
Industrial Motor Division - Little Rock, AR

FRAME

HP

NAME

WIRING DIAGRAM

VOLTS

RPM

HZ

PH

3

Customer

PO #

SO #

DRAWN

9.24.07

DATE

JRH

CHECKED

DATE

APP

DATE

SHEET

1 OF 1

Sim. To

PART NO.

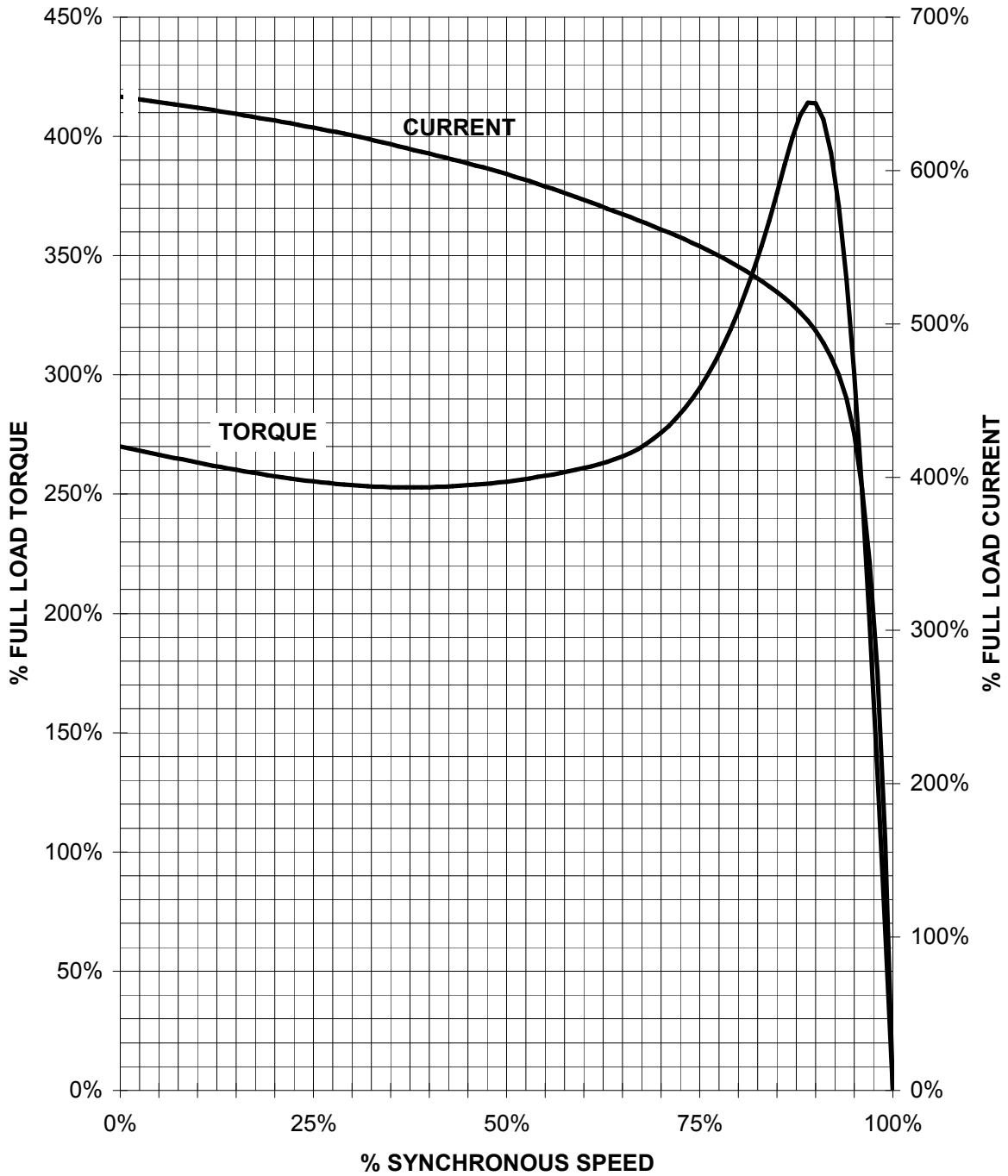
51-382-114-501

A

SIEMENS INDUSTRY, INC.

HP 10 VOLTS < 600V RPM 1800 TYPE GP100
HZ 60 PHASE 3 FRAME 215T NEMA B

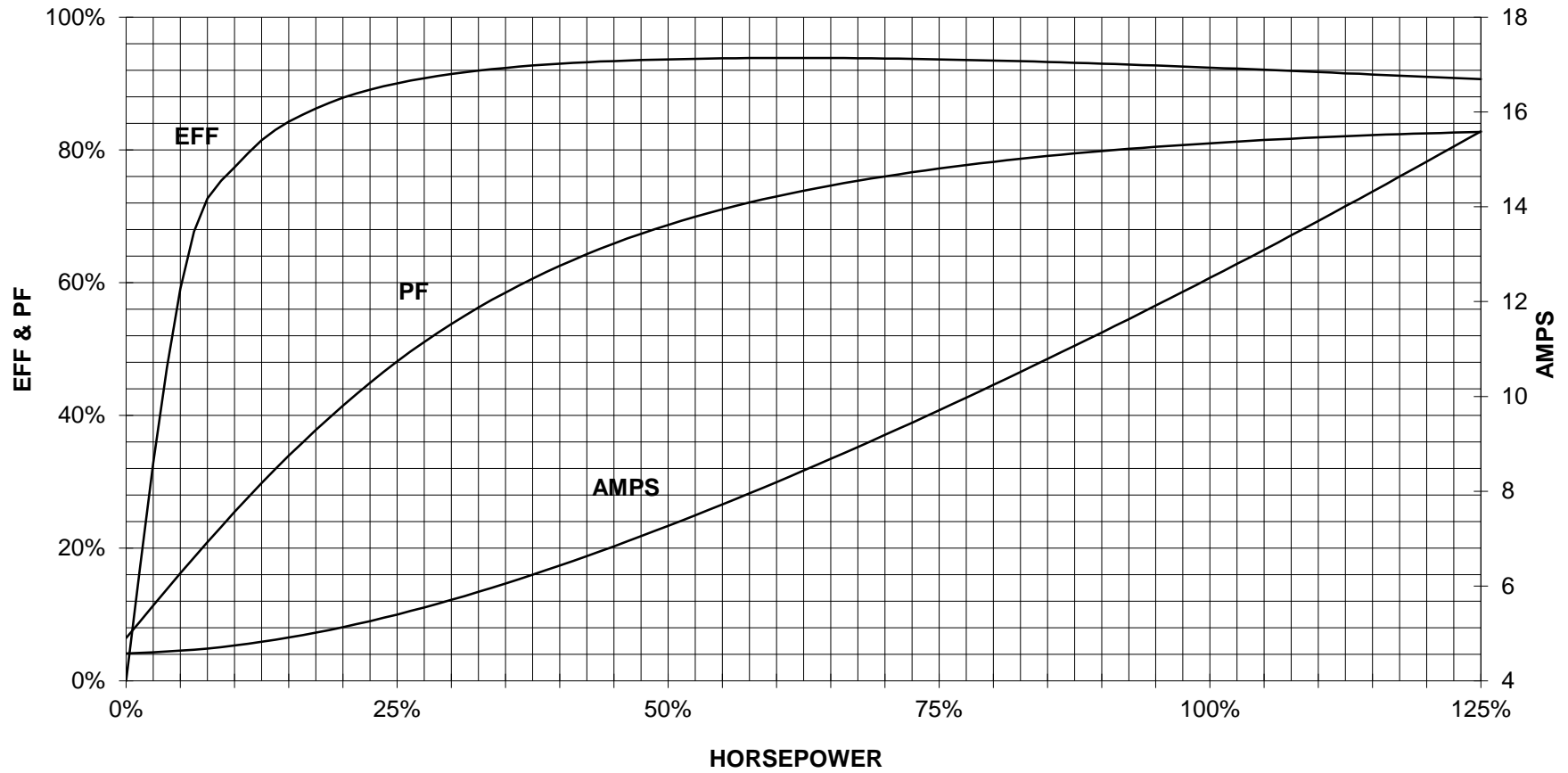
TORQUE & CURRENT VS. SPEED



CUSTOMER: _____ ORDER#: _____

10 HP 1800 RPM 215T FRAME 460 VOLTS 3 PHASE NEMA DESIGN B

SIEMENS INDUSTRY, INC.
PERFORMANCE CURVE
GP100



CUSTOMER _____ ORDER # _____ PO # _____

PERFORMANCE BASED ON DESIGN CALCULATIONS. SUBJECT TO CHANGE WITHOUT NOTICE.

REV. 1