



NEMA Motor Data

MLFB-Ordering data : 1LE2221-2AC11-4GA3

Client order no. :
Order no. :
Offer no. :
Remarks :

Item no. :
Consignment no. :
Project :

Nameplate Data	Mounting and motor protection
----------------	-------------------------------

Type: GP100 - NEMA Premium Efficiency

HP	3.0	Rating	Cont.
Voltage	(14) 230/460V, 60Hz (Suitable for 208V)	Ins. Class	Class F (Standard)
Amps	8.6 / 4.3 A	S.F.	1.15
FL RPM	1175	Amb. Temp.	+40C TO -20C
FL Efficiency	89.5 %	Temp. Rise	Class B
FRAME	213TC	kVA Code	K
DE AFBMA	40BC02JPP30	NEMA Des	B
ODE AFBMA	40BC02JPP30	Mtr WT	155
60 Hertz	3 Ph TEFC	IP	55

Type of construction (G) Round body - C-Face
Motor protection (A) Without Protection
Terminal box design (3) F-1, Standard Floor Mount, T. Box

Bearing Data		
--------------	--	--

	DE	ODE
Bearing Size	6208 ZZ C3 S0	6208 ZZ C3 S0
Bearing Type	Ball Bearing	Ball Bearing
AFBMA	40BC02JPP30	40BC02JPP30

Typical Performance Data					
--------------------------	--	--	--	--	--

Load	No Load	1/2	3/4	Full Load	LRC
Efficiency		87.8 %	89.3 %	89.5 %	
Power Factor		52.1	65.4	73.0	
Current (A)	2.5 A	3.1 A	3.6 A	8.6 / 4.3 A	32.0 A
Inverter Duty	VT	20:1	CT	4:1	

Mechanical Data				
-----------------	--	--	--	--

SAFE STALL TIME	HOT (s)	23	COLD (s)	35
Rtr wt (lbs)	34.14	Rtr WK2	0.60	
FLT (lb-ft)	13.4	LRT (%)	265	BDT (%) 470
Ext Load Inertia (WK2) Capability	44.0 lb-ft ²			
Brake:	without			

Typical Noise Data									
--------------------	--	--	--	--	--	--	--	--	--

A-weighted Sound	Octave Band Center Frequencies Hertz (Hz)								
Pressure Level	125	250	500	1000	2000	4000	8000	SPL	64
at 3 feet	41	42	52	64	54	47	34	SPwrL	71

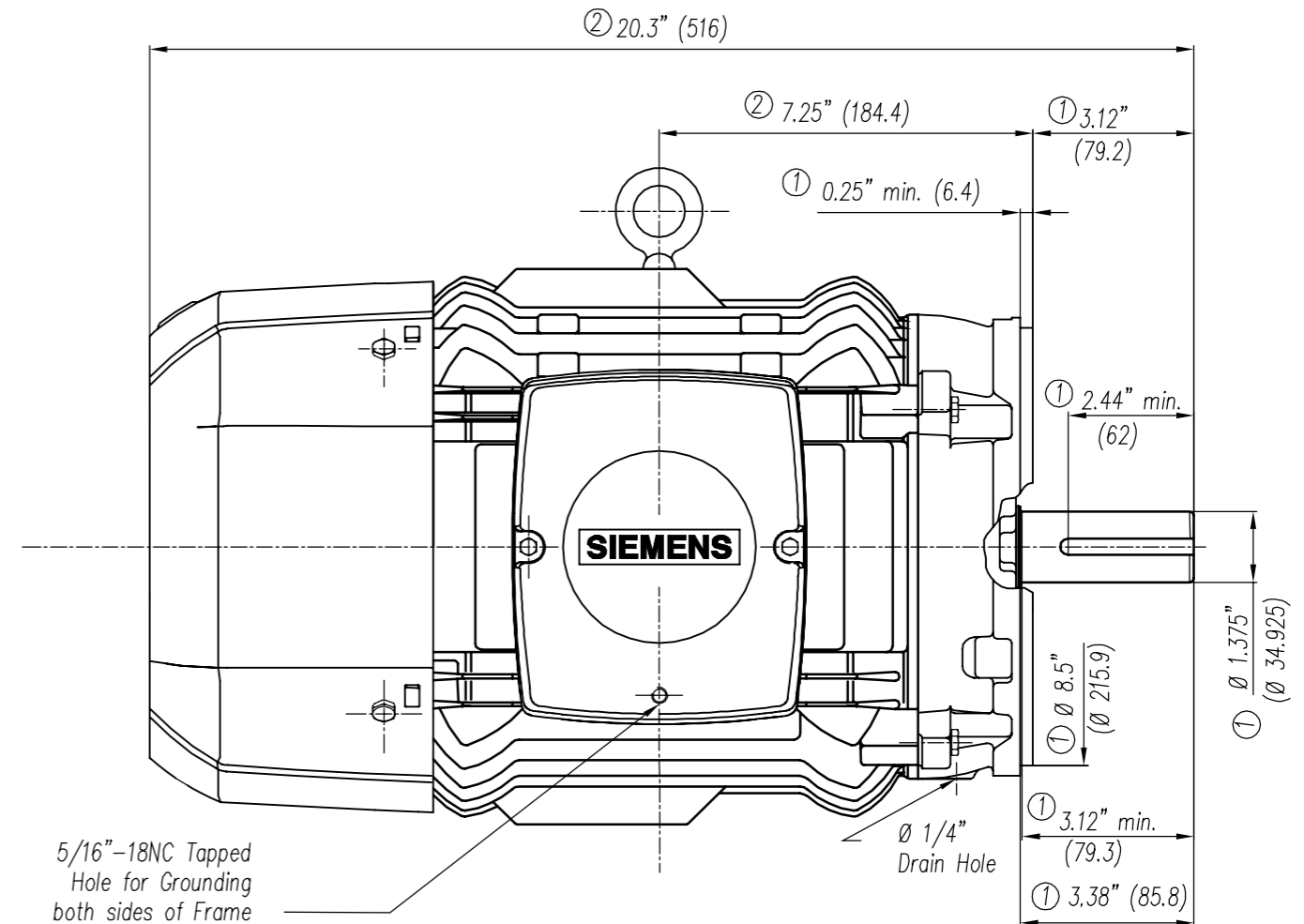
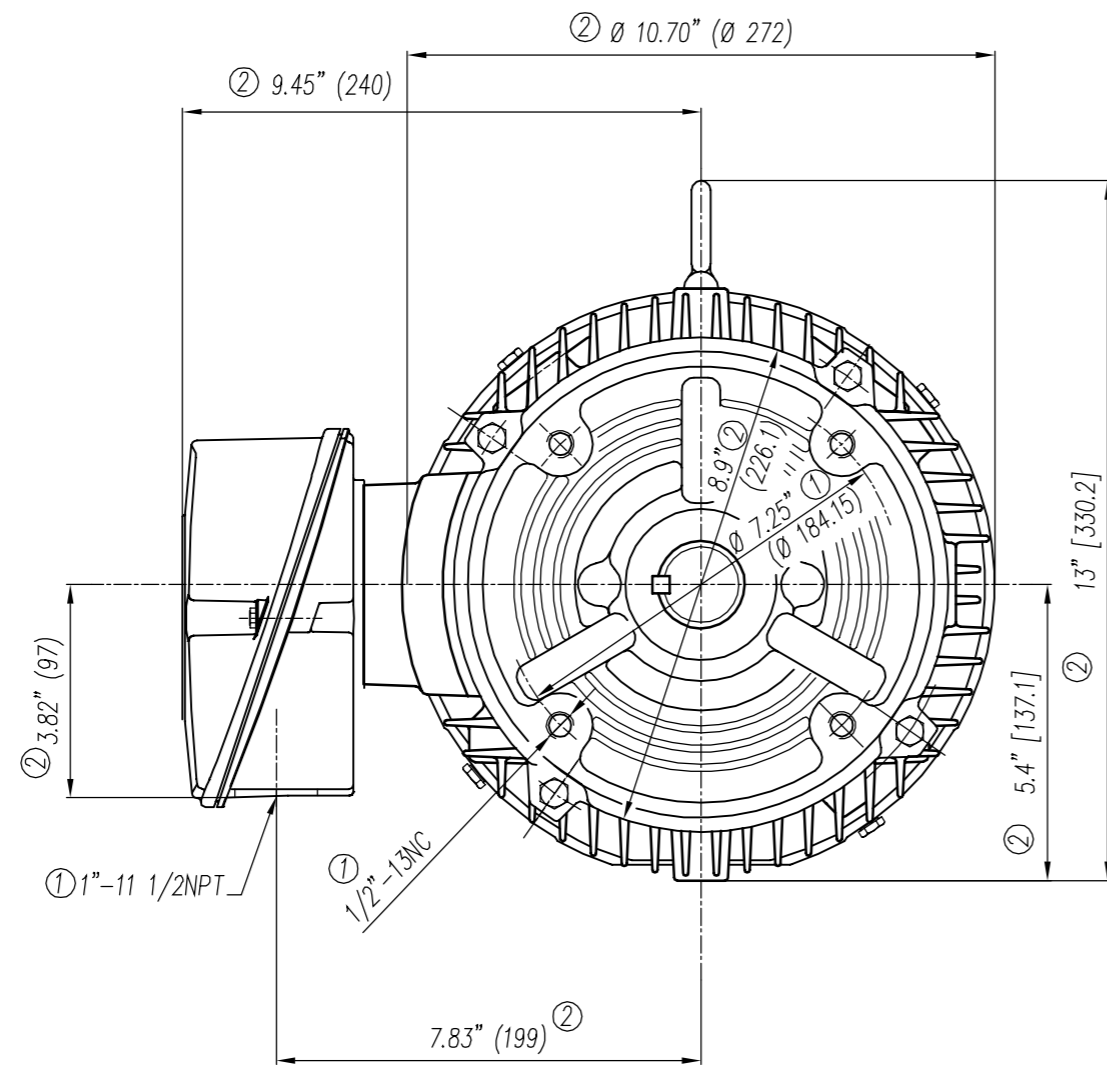
Wiring Connection Information					
-------------------------------	--	--	--	--	--

Description	3 PHASE - 9 LEAD - WYE				
Voltage	L1	L2	L3	Connected together	
LOW	T1 T7	T2 T8	T3 T9	T4 T5 T6 YY	
HIGH	T1	T2	T3	T4 T7-T5 T8-T6 T9 Y	

Special design :

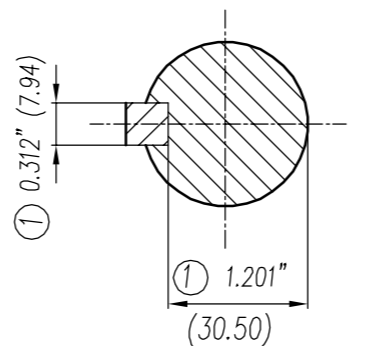
Lubrication Information	
-------------------------	--

Manufacturer	Mobil Polyrex EM or equal
Type	Polyurea (standard)
DE Capacity (oz.)	0.30
ODEnd Capacity (oz.)	0.30



- | | |
|---|--|
| ① Tolerances According to NEMA Std. | ① Tolerancias acorde a NEMA Std. |
| ② All these dimensions corresponding to assemblies and castings shall have a tolerance as per DIN standard 1686-GTB 19. | ② Todas estas dimensiones correspondientes a ensambles y fundición en bruto tendrán una tolerancia según DIN 1686-GTB-19 |
| ③ Not According to NEMA Std. | ③ No Acorde a NEMA Std. |

CERTIFIED PRINT/CERTIFICACION							
CUSTOMER/CLIENTE							
PO#/ORDEN COMPRA#				SD#/ORDEN CLIENTE#			
HP	RPM	FRAME/ARM.	TYPE/TIPO	VOLTS	PH/FAS.	HZ	

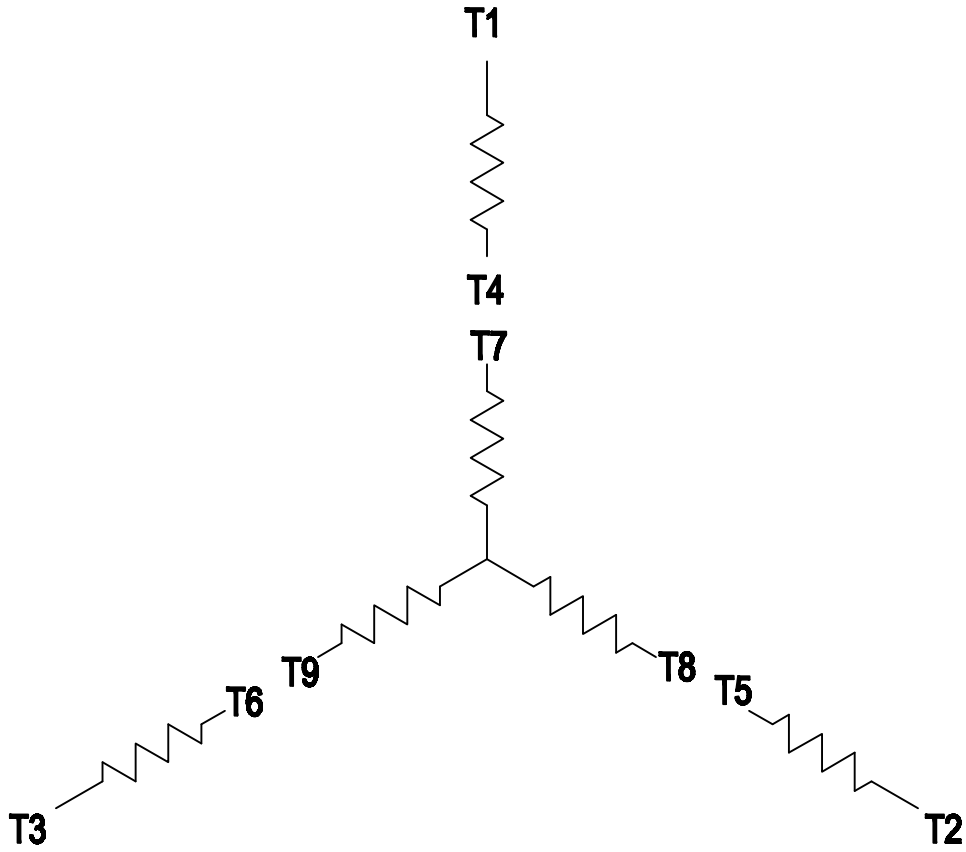


Keyseat detail
Detalle Cuñero

Tol. in mm. acc. to/Tol. en mm. según DIN-1686-GTB-19		European Projection/ Proyeccion Europea	Modific.	a) Se cambió formato a Inglés-Español y se especificó tipos en los que aplica este dibujo.	
Over/desde	to/hasta			a) Changed the format to English-Spanish and was especificed in what kind of motors apply this drawing.	
---	18	± 4.5	Date/Fecha	Name/Nombre	Scale/ Escala
18	30	± 4.7			
30	50	± 5			
50	80	± 5.5			
80	120	± 6			
120	180	± 6.5			
180	250	± 7			
250	315	± 7.5			
315	400	± 8			
400	500	± 8.5			
500	630	± 9.5	Type/ Tipo: GP100	215TCV Frame	Sin W/O
630	800	± 10			
SIEMENS			GUADALAJARA FACTORY		3MSE 232 0601
Ref. 3MSE2220853A)01 3MSE222085201			Rep./ Sdo.		

3 PHASE - 9 LEADS - WYE

VOLTS	LINES			CONNECTED TOGETHER	CONN.
	L1	L2	L3		
LOW	T1 T7	T2 T8	T3 T9	T4 T5 T6	Y Y
HIGH	T1	T2	T3	T4 T7-T5 T8-T6 T9	Y



THIS IS A CAD DRAWING
DO NOT MAKE MANUAL CHANGES

01 | 09-27-07

TYPE

-CONFIDENTIAL-

PROPERTY OF

Siemens Energy & Automation, Inc.
Industrial Motor Division - Little Rock, AR

FRAME

HP

NAME

WIRING DIAGRAM

VOLTS

RPM

HZ

PH

3

Customer

PO #

SO #

DRAWN 9.24.07

DATE JRH

CHECKED

DATE

APP

DATE

SHEET

1 OF 1

Sim. To

PART NO.

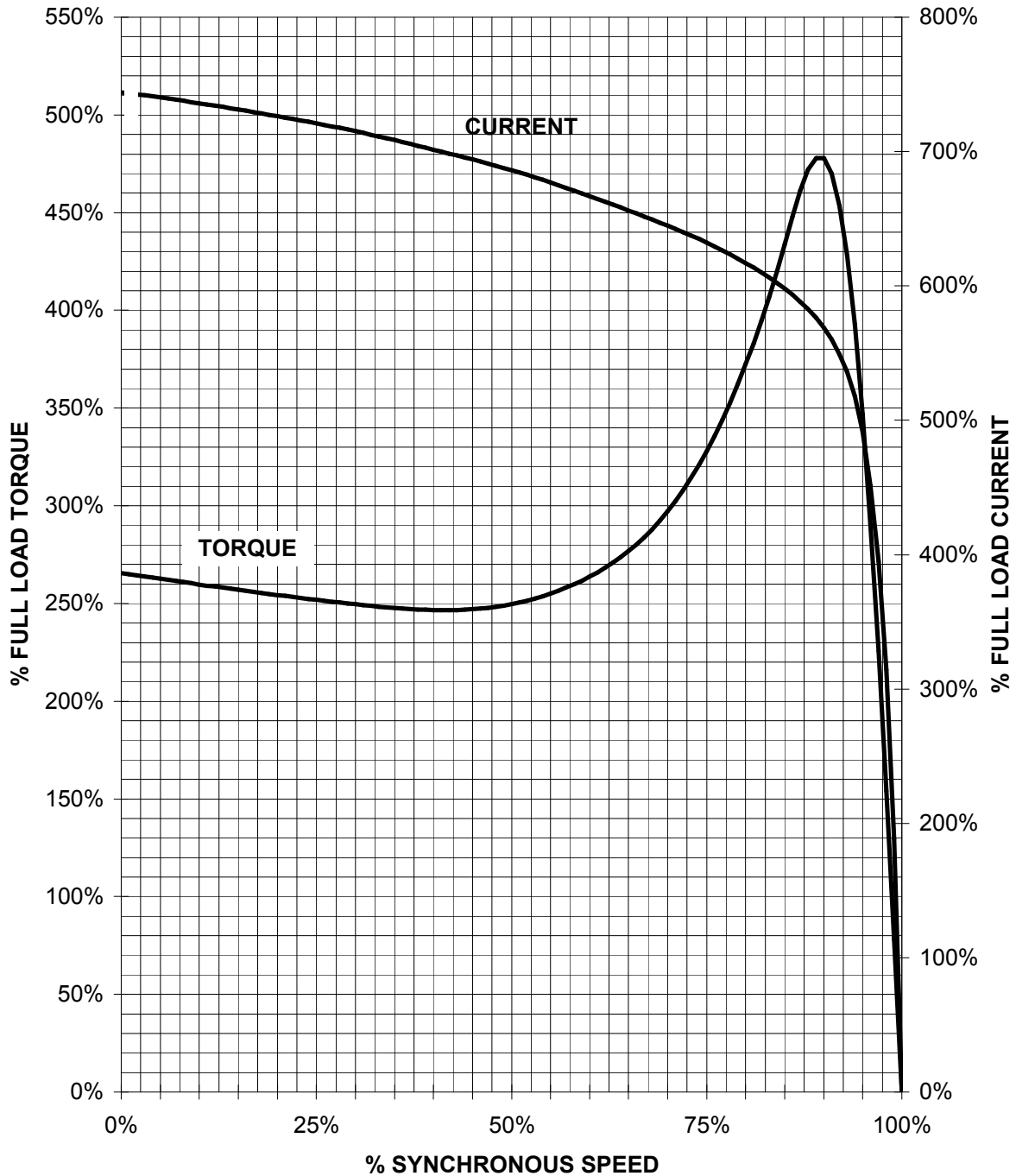
51-382-114-501

A

SIEMENS INDUSTRY, INC.

HP 3 VOLTS < 600V RPM 1200 TYPE GP100
HZ 60 PHASE 3 FRAME 213T NEMA B

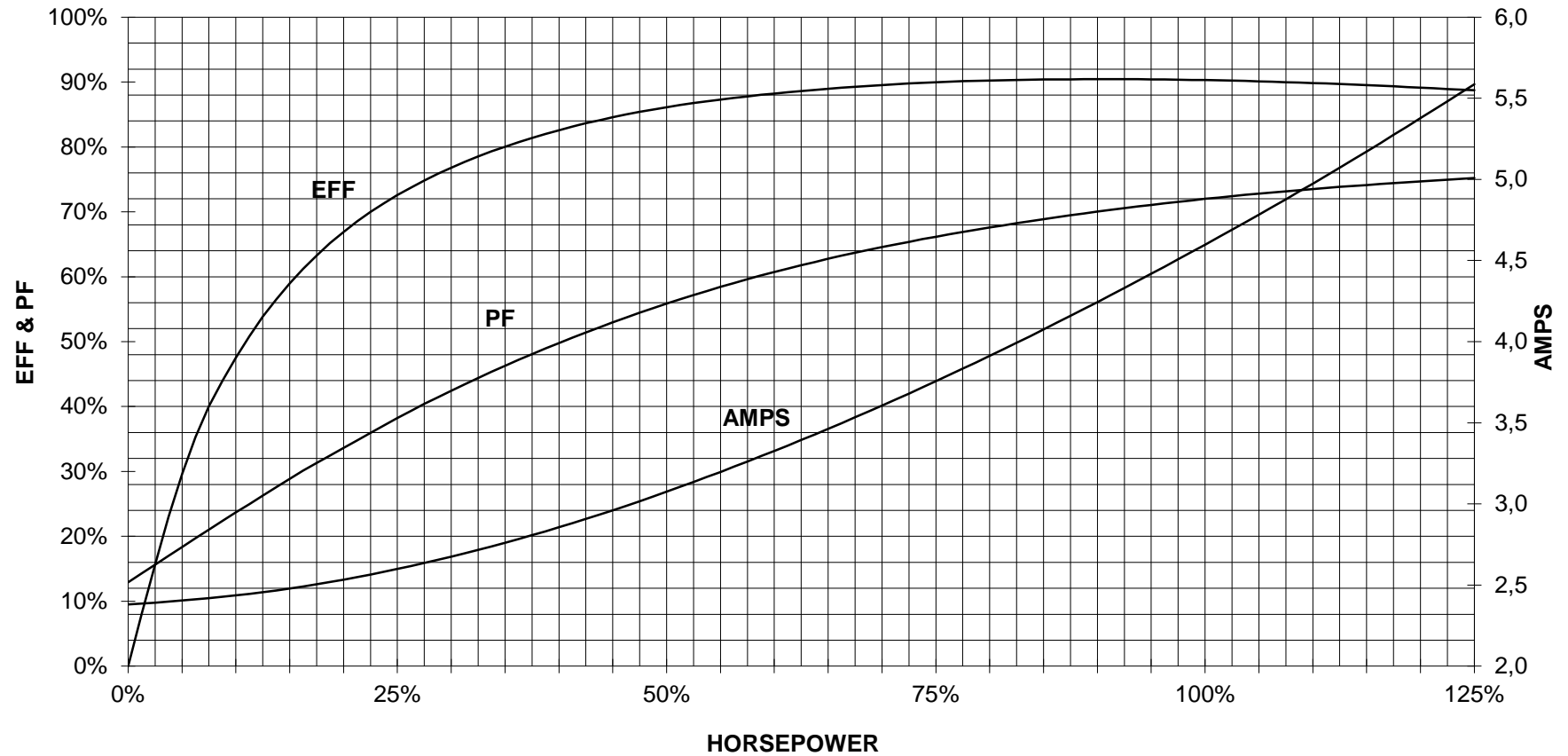
TORQUE & CURRENT VS. SPEED



CUSTOMER: _____ ORDER#: _____

3 HP 1200 RPM 213T FRAME 460 VOLTS 3 PHASE NEMA DESIGN B

SIEMENS INDUSTRY, INC.
PERFORMANCE CURVE
GP100



CUSTOMER _____ ORDER # _____ PO # _____

PERFORMANCE BASED ON DESIGN CALCULATIONS. SUBJECT TO CHANGE WITHOUT NOTICE.

REV. 1