

# Data sheet for three-phase Squirrel-Cage-Motors SIMOTICS

Motor type: **GP100** FS: **284T - 4p - 25 hp -**

Client order no.	Item-No.	Offer no.
Order no.	Consignment no.	Project
Remarks		

## Electrical data

U [V]	$\Delta / Y$	f [Hz]	P [HP]	P [kW]	n [rpm]	I Load [Amps]					LRC	Nom. Eff Load [%]			Pwr. Factor Load [%]			Torque [lb-ft]	T <sub>A</sub> /T <sub>N</sub> LRT [%]	T <sub>k</sub> /T <sub>N</sub> BDT [%]
						4/4	3/4	1/2	0				4/4	3/4	2/4					
575	$\Delta$	60	25.00	18.50	1,800	24.00	18.70	14.10	8.80	146.4	93.6	94.0	93.5	84.0	80.0	71.0	74.0	180	250	

Frame Type: 284T	Type of constr.: (A) Foot mounted - End shield	Ins. Cl.: Standard Class F Insulation	Motor Prot.: (A) Without Protection	NEMA Des.: B	S.F.: 1.15
Mtr. WT: 445		Temp. Rise Cl.: B	Amb. Temp.: + 40 to -20 °C @1000 m	kVA: G	IP 54

## Mechanical data

Sound level (SPL / SWL) at 60 Hz	65.0 dB(A) / 76.0 dB(A)							Thickener	Polyurea
Octave Band Center Frequencies Hertz								Safe Stall Time Hot	24 s
	250	500	1000	2000	4000	8000	Hz	Safe Stall Time Cold	44 s
SPL@3	51.0	55.0	55.0	62.0	59.0	51.0	dB(A)	Frame material	cast iron
Moment of inertia	4.4 Lb-ft <sup>2</sup>							Color, paint shade	Standard Paint - RAL7030
Ext Load Inertia Capability:	122.0 Lb ft <sup>2</sup>							Coating (paint finish)	Standard Alkyed + Epoxy (C2)
<b>Bearings</b>								<b>Ventilation Type</b>	
Bearing DE   NDE	6310 Z C3 S0			6210 ZZ C3 S0				Method of cooling	TEFC
Bearing_Type	Ball Bearing			Ball Bearing				Direction of rotation	Bidirectional
AFBMA:	50BC03JP30			50BC02JPP30				Fan Material	Polypropylen ESD
<b>Grease</b>								VFD	CT: 4:1 VT: 20:1
Capacity	2.6 oz			2.3 oz				Space heaters	without
Grease Type:	Exxon Mobile EM							Brake:	without

## Terminal box


Lead Wire Connection	3 LEAD - DELTA				Terminal box position	(3) F-1, Standard Floor Mount, T. Box LHS
Voltage	L1	L1	L1	Connected together	Material of terminal box	Stamped Steel
----	----	----	----	----	Cable entry	1.5" NPT
----	T1	T2	T3	----		

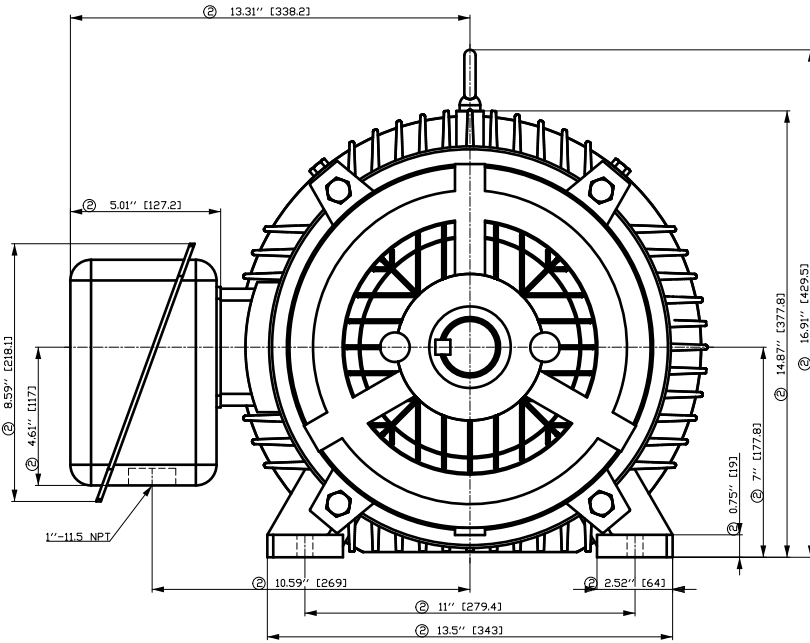
### Notes:

I<sub>L</sub>/I<sub>N</sub> = locked rotor current / current nominal  
M<sub>L</sub>/M<sub>N</sub> = locked rotor torque / torque nominal  
M<sub>B</sub>/M<sub>N</sub> = break down torque / nominal torque

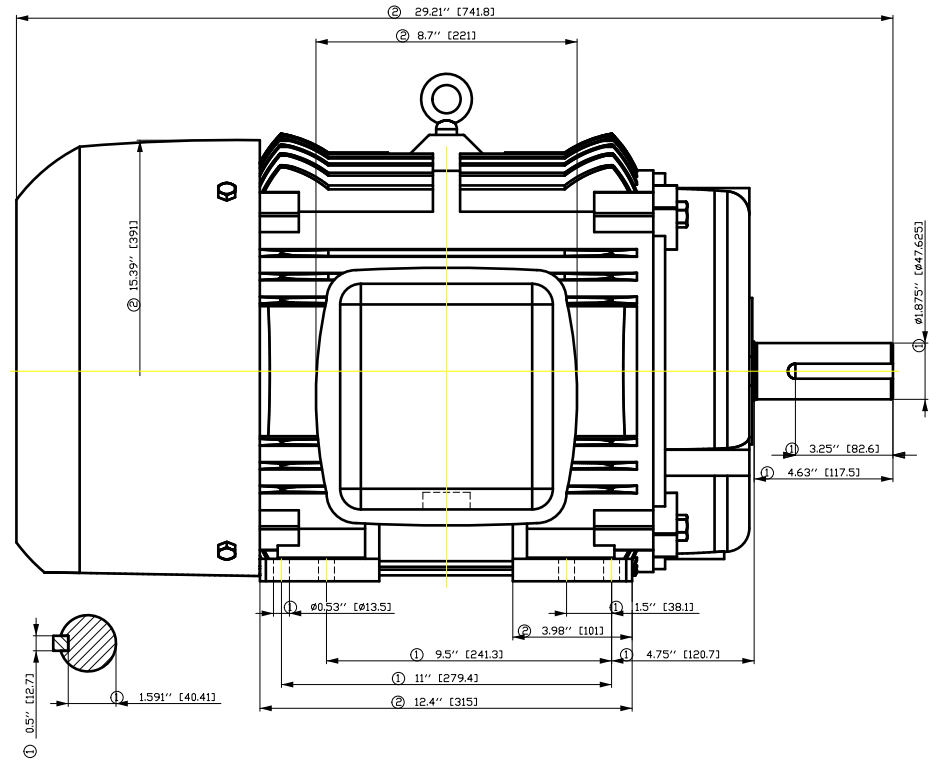
3) Value is valid only for DOL operation with motor design IC411  
2) at rated power I at full load

responsible dep. DI MC LVM	technical reference	created by DT Configurator	approved by	<i>Technical data are subject to change! There may be discrepancies between software and hardware versions</i>
-------------------------------	---------------------	-------------------------------	-------------	--

	document type datasheet	document status released	customer	
	title 1LE2221-2CB11-3AA3	document number		
© Siemens AG 2022	rev. 01	creation date 2022-04-08 20:26	language en	Page 1/1



- ① Tolerances according to NEMA std.
- ② All these dimensions corresponding to assemblies and castings shall have a tolerance as per DIN standard 1686-GTB 19.
- ③ Not according to NEMA std.



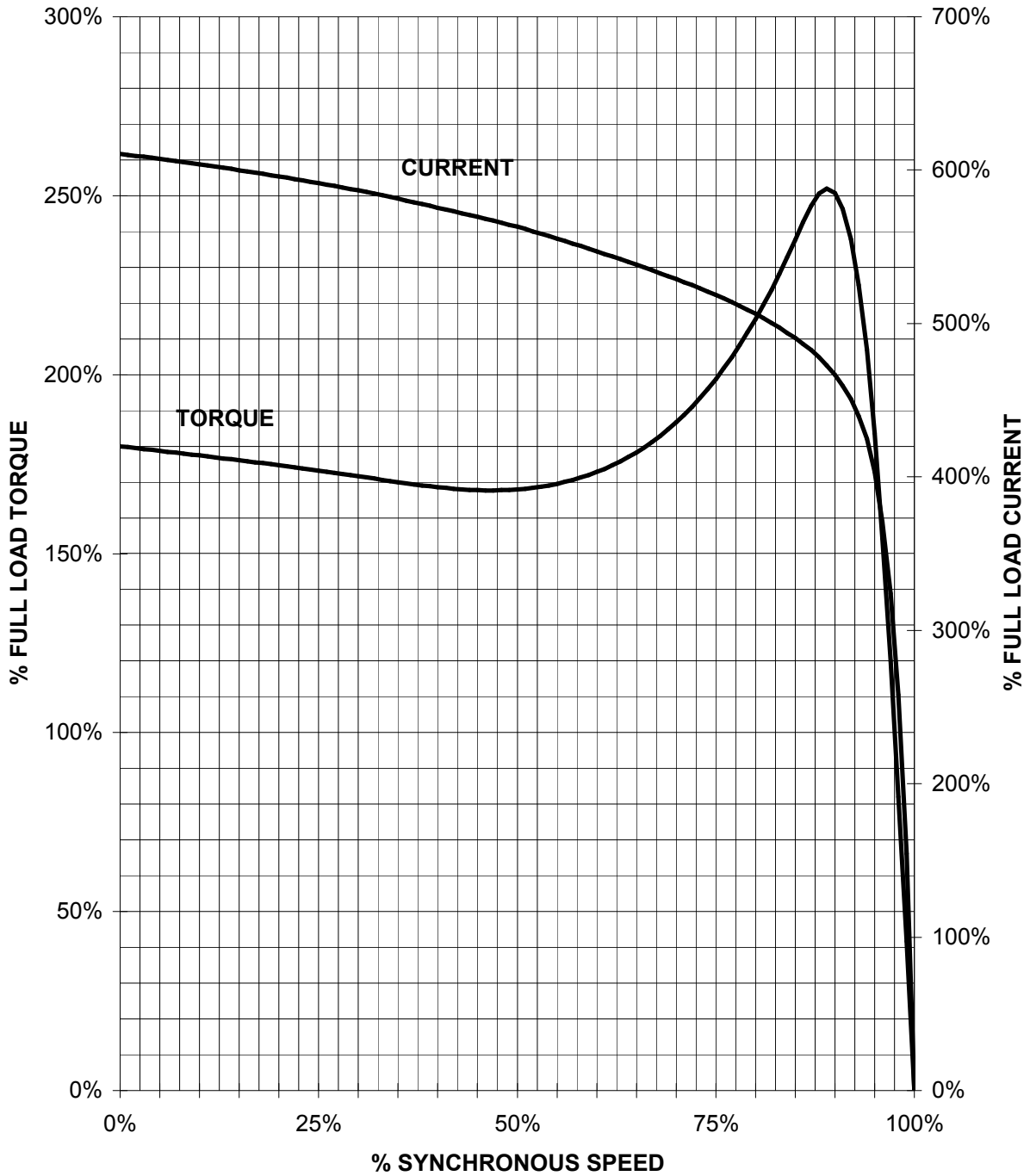
Tolerance	Surface	Material	Weight	Scale
F50GGFEE0FFH0EH E	Author Creator Approval Department Change Order	ÖVS T a : ^ & @ } *	E	{ {
SIEMENS	Doc. State	I BGG	Item No	Paper Size CH
	Revision	Index RS	Doc No	1st Language ^ 2nd Language a^
© Siemens AG 2018	Project No E	Ref No E	Doc Type /	Sheet F of F

刀线管  
 用所  
 为全  
 正图  
 照原  
 图  
 比例  
 绘制  
 不得  
 任意  
 更改  
 凡有  
 更改  
 须经  
 原图  
 设计  
 人员  
 同意  
 并签  
 字  
 日期  
 方可  
 生效  
 此图  
 仅供  
 参考  
 不得  
 作为  
 施工  
 依据  
 如有  
 疑问  
 请向  
 设计  
 人员  
 咨询  
 谢谢  
 合作

# SIEMENS INDUSTRY, INC.

HP 25    VOLTS < 600V    RPM 1800    TYPE GP100  
HZ 60    PHASE 3    FRAME 284T    NEMA B

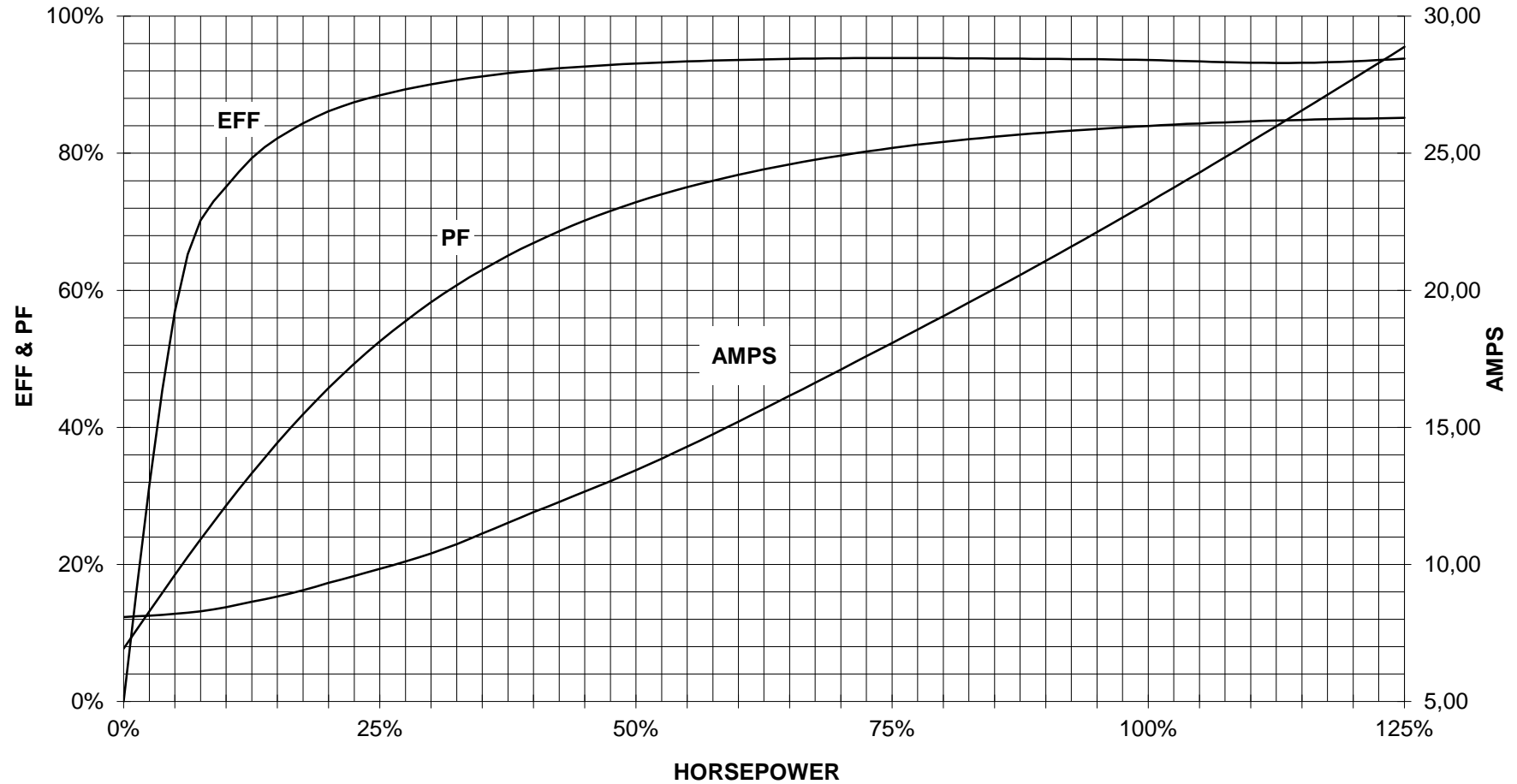
## TORQUE & CURRENT VS. SPEED



CUSTOMER: \_\_\_\_\_ ORDER#: \_\_\_\_\_

25 HP 1800 RPM 284T FRAME 575 VOLTS 3 PHASE NEMA DESIGN B

**SIEMENS INDUSTRY, INC.**  
**PERFORMANCE CURVE**  
**GP100**

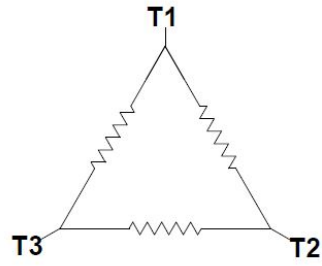


CUSTOMER: \_\_\_\_\_ ORDER #: \_\_\_\_\_


PERFORMANCE BASED ON DESIGN CALCULATIONS. SUBJECT TO CHANGE WITHOUT NOTICE.

REV. 1

Main terminal diagram



3 LEAD DELTA			
LINES			CONN.
L1	L2	L3	
T1	T2	T3	Δ

responsible dep. DI MC LVM	technical reference	created by	approved by	Project		
	document type Wiring Diagram		document status free		customer	
	title 1LE2221-2CB11-3AA3		document number			
© Siemens AG 2019			rev. 01	creation date 12/03/2019	language en	Page 1/1