

# Data sheet for three-phase Squirrel-Cage-Motors SIMOTICS

Motor type: **GP100** FS: **405TS - 2p - 100 hp -**

Client order no.	Item-No.	Offer no.
Order no.	Consignment no.	Project
Remarks		

## Electrical data

U [V]	$\Delta / Y$	f [Hz]	P [HP]	P [kW]	n [rpm]	I Load [Amps]					LRC	Nom. Eff Load [%]			Pwr. Factor Load [%]			Torque [lb-ft]	T <sub>A</sub> /T <sub>N</sub> LRT [%]	T <sub>k</sub> /T <sub>N</sub> BDT [%]
						4/4	3/4	1/2	0	4/4		3/4	2/4	4/4	3/4	2/4				
575	$\Delta$	60	100.00	75.00	3,600	86.40	65.20	44.50	15.20	580.0	94.1	94.7	94.6	92.0	91.0	89.0	147.0	120	200	

**without**

Frame Type: 405TS	Type of constr.: (A) Foot mounted - End shield	Ins. Cl.: Standard Class F Insulation	Motor Prot.: (A) Without Protection	NEMA Des.: B	S.F.: 1.15
Mtr. WT: 1,097		Temp. Rise Cl.: B	Amb. Temp.: + 40 to -20 °C @1000 m	kVA: G	IP 54

## Mechanical data

Sound level (SPL / SWL) at 60 Hz	80.0 dB(A) / 91.0 dB(A)							Thickener	Polyurea
Octave Band Center Frequencies Hertz								Safe Stall Time Hot	25 s
	250	500	1000	2000	4000	8000	Hz	Safe Stall Time Cold	45 s
SPL@3	67.0	72.0	74.0	74.0	72.0	61.0	dB(A)	Frame material	cast iron
Moment of inertia	12.7 Lb-ft <sup>2</sup>							Color, paint shade	Standard Paint - RAL7030
Ext Load Inertia Capability:	92.0 Lb ft <sup>2</sup>							Coating (paint finish)	Standard Alkyed + Epoxy (C2)
<b>Bearings</b>								<b>Ventilation Type</b>	
Bearing DE   NDE	6316 Z C3 S0			6214 ZZ C3 S0				Method of cooling	TEFC
Bearing_Type	Ball Bearing			Ball Bearing				Direction of rotation	Bidirectional
AFBMA:	80BC03JP30			70BC02JPP30				Fan Material	Polypropylen ESD
<b>Grease</b>								VFD	CT: 4:1 VT: 20:1
Capacity	7.5 oz			6.7 oz				Space heaters	without
Grease Type:	Exxon Mobile EM							Brake:	without


## Terminal box

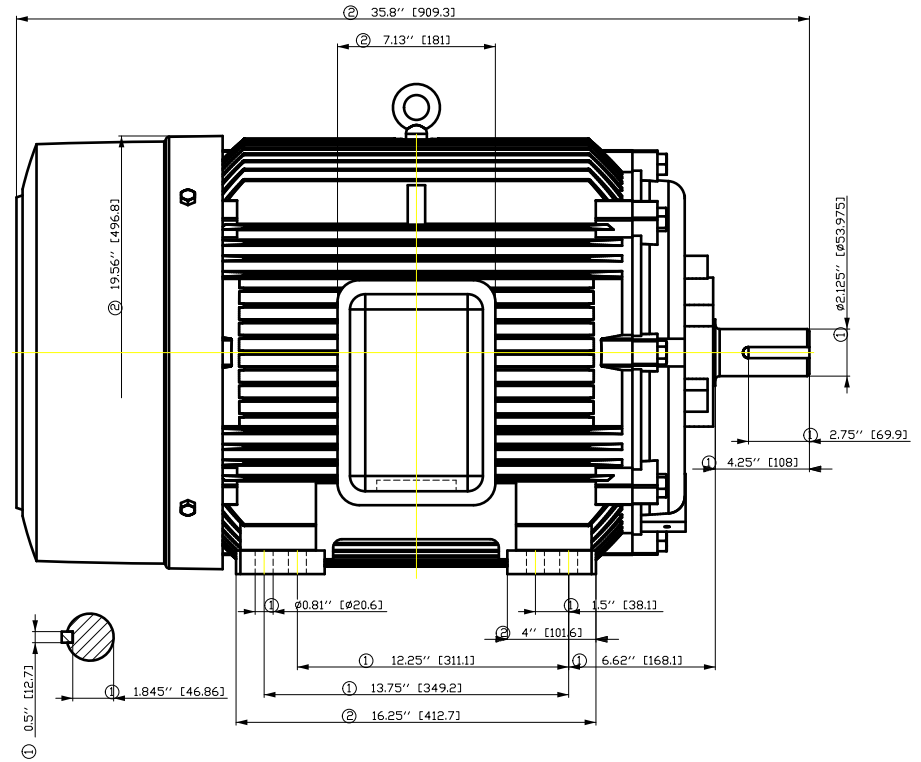
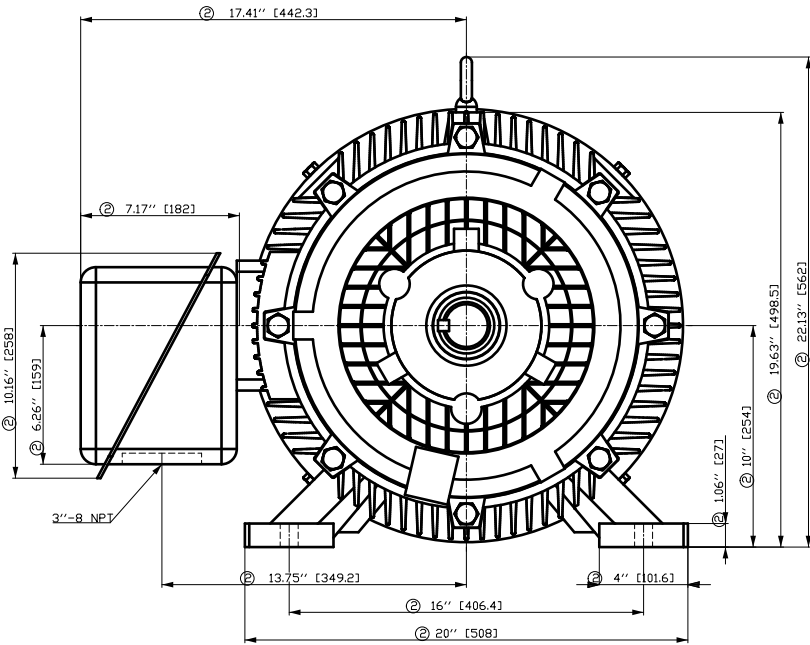
Lead Wire Connection	3 LEAD - DELTA				Terminal box position	(3) F-1, Standard Floor Mount, T. Box LHS
Voltage	L1	L1	L1	Connected together	Material of terminal box	Stamped Steel
----	----	----	----	----	Cable entry	3" NPT
----	T1	T2	T3	----		

### Notes:

I<sub>L</sub>/I<sub>N</sub> = locked rotor current / current nominal  
M<sub>L</sub>/M<sub>N</sub> = locked rotor torque / torque nominal  
M<sub>L</sub>/M<sub>N</sub> = break down torque / nominal torque

3) Value is valid only for DOL operation with motor design IC411  
2) at rated power / at full load

responsible dep. DI MC LVM	technical reference	created by DT Configurator	approved by	<b>Technical data are subject to change! There may be discrepancies between software and hardware versions</b>			
	document type datasheet	document status released		customer			
	title 1LE2221-4BA21-3AA3	document number					
© Siemens AG 2022	rev. 01	creation date 2022-04-08 22:30	language en	Page 1/1			



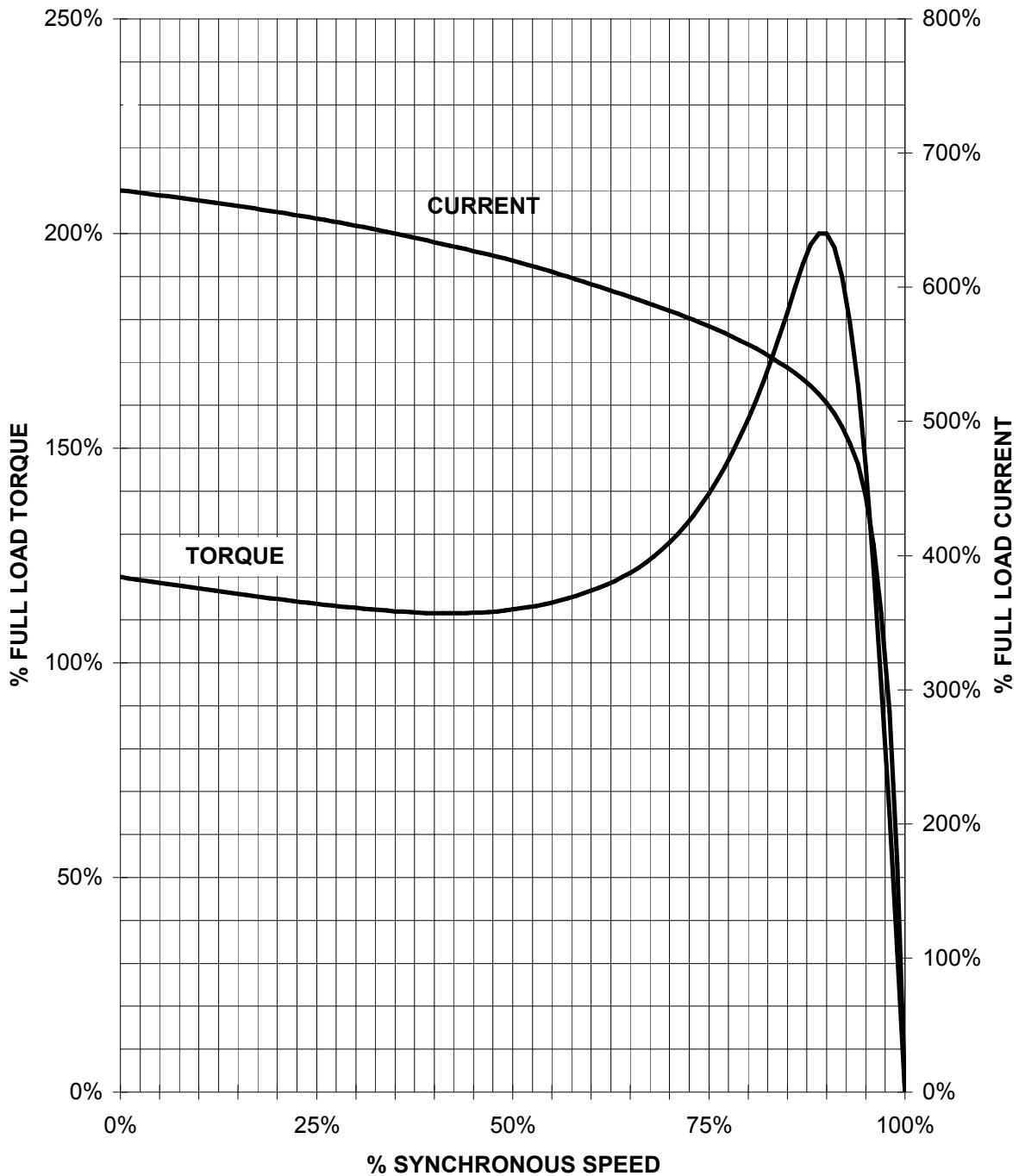
- ① Tolerances according to NEMA std.
- ② All these dimensions corresponding to assemblies and castings shall have a tolerance as per DIN standard 1686-GTB 19.
- ③ Not according to NEMA std.

Tolerance	Surface	Material	Weight	Scale		
F5ÖGCGF# ÖGCG#HÖH	Author	ÖS ^)•4}ç#ç#ç#*	E			
E	Creator				ÖVS	
	Approval				T aë : ^æ@` } *	
	Department					
	Change Order	MLFB	Doc Type	/		
	Doc. State	I ð EEG	Item No	Paper Size	CH	
	Revision	Index	RS	Doc No	1st Language	^}
					2nd Language	â^
© Siemens AG 2018	Project No	E	Ref No	E	Sheet	F of F

# SIEMENS INDUSTRY, INC.

HP 100    VOLTS < 600V    RPM 3600    TYPE GP100  
HZ 60    PHASE 3    FRAME 405TS    NEMA B

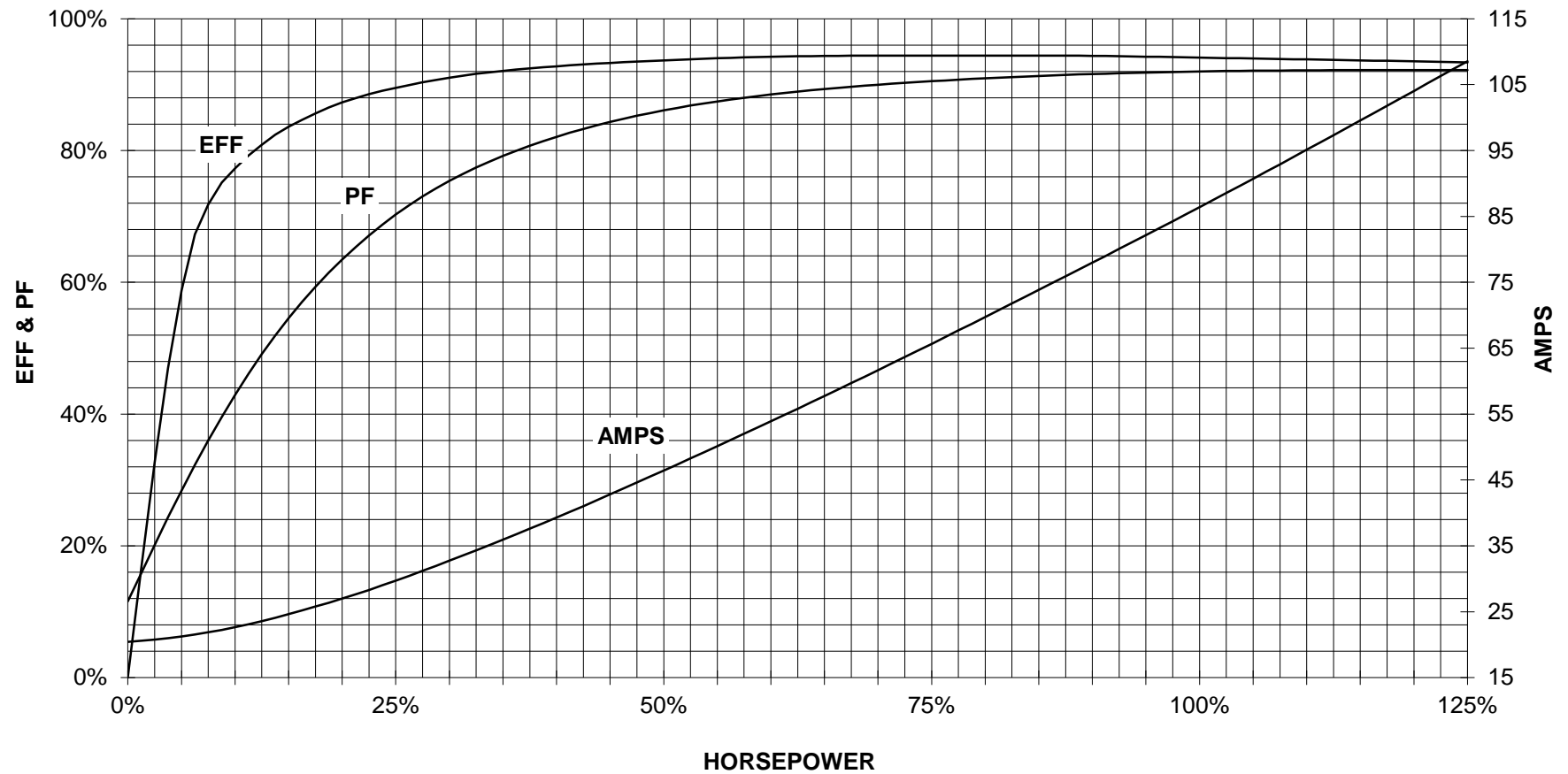
## TORQUE & CURRENT VS. SPEED



CUSTOMER: \_\_\_\_\_ ORDER#: \_\_\_\_\_

100 HP 3600 RPM 405TS FRAME 575 VOLTS 3 PHASE NEMA DESIGN B

**SIEMENS INDUSTRY, INC.**  
**PERFORMANCE CURVE**  
**GP100**



CUSTOMER: \_\_\_\_\_ ORDER #: \_\_\_\_\_


PERFORMANCE BASED ON DESIGN CALCULATIONS. SUBJECT TO CHANGE WITHOUT NOTICE.

REV. 1

Main terminal diagram



3 LEAD DELTA			
LINES			CONN.
L1	L2	L3	
T1	T2	T3	Δ

responsible dep. DI MC LVM	technical reference	created by	approved by	Project	
	document type Wiring Diagram		document status free		customer
	title 1LE2221-4BA21-3AA3		document number		
© Siemens AG 2019			rev. 01	creation date 12/03/2019	language Page en 1/1