

Data sheet for three-phase Squirrel-Cage-Motors SIMOTICS

Motor type: **GP100** FS: **B444T - 4p - 125 hp -**

Client order no.	Item-No.	Offer no.
Order no.	Consignment no.	Project
Remarks		

Electrical data

U [V]	Δ / Y	f [Hz]	P [HP]	P [kW]	n [rpm]	I Load [Amps]					LRC	Nom. Eff Load [%]			Pwr. Factor Load [%]			Torque [lb-ft]	T _A /T _N LRT [%]	T _k /T _N BDT [%]
						4/4	3/4	1/2	0	4/4		3/4	2/4	4/4	3/4	2/4				
575	Δ	60	125.00	90.00	1,800	114.40	87.40	62.90	36.00	726.4	95.4	95.6	95.4	86.0	84.0	78.0	368.0	160	200	
Frame Type: B444T		Type of constr.: (A) Foot mounted - End shield				Ins. Cl.: Standard Class F Insulation		Motor Prot.: (A) Without Protection			NEMA Des.: B		S.F.: 1.15							
Mtr. WT: 1,601						Temp. Rise Cl.: B		Amb. Temp.: + 40 to -20 °C @1000 m			kVA: G		IP 54							

Mechanical data

Sound level (SPL / SWL) at 60 Hz	75.0 dB(A) / 86.0 dB(A)							Thickener	Polyurea
Octave Band Center Frequencies Hertz									
	250	500	1000	2000	4000	8000	Hz	Safe Stall Time Hot	20 s
SPL@3	64.0	73.0	68.0	66.0	61.0	51.0	dB(A)	Safe Stall Time Cold	25 s
Moment of inertia	24.7 Lb-ft ²							Frame material	cast iron
Ext Load Inertia Capability:	542.0 Lb ft ²							Color, paint shade	Standard Paint - RAL7030
Bearings								Coating (paint finish)	Standard Alkyed + Epoxy (C2)
Bearing DE NDE	6318 Z C3 S0			6216 ZZ C3 S0			Ventilation Type		
Bearing_Type	Ball Bearing			Ball Bearing			Method of cooling	TEFC	
AFBMA:	90BC03JP30			80BC02JPP30			Direction of rotation	Bidirectional	
Grease								Fan Material	Polypropylen ESD
Capacity	10.4 oz			7.5 oz			VFD	CT: 4:1 VT: 20:1	
Grease Type:	Exxon Mobile EM							Space heaters	without
								Brake:	without


Terminal box

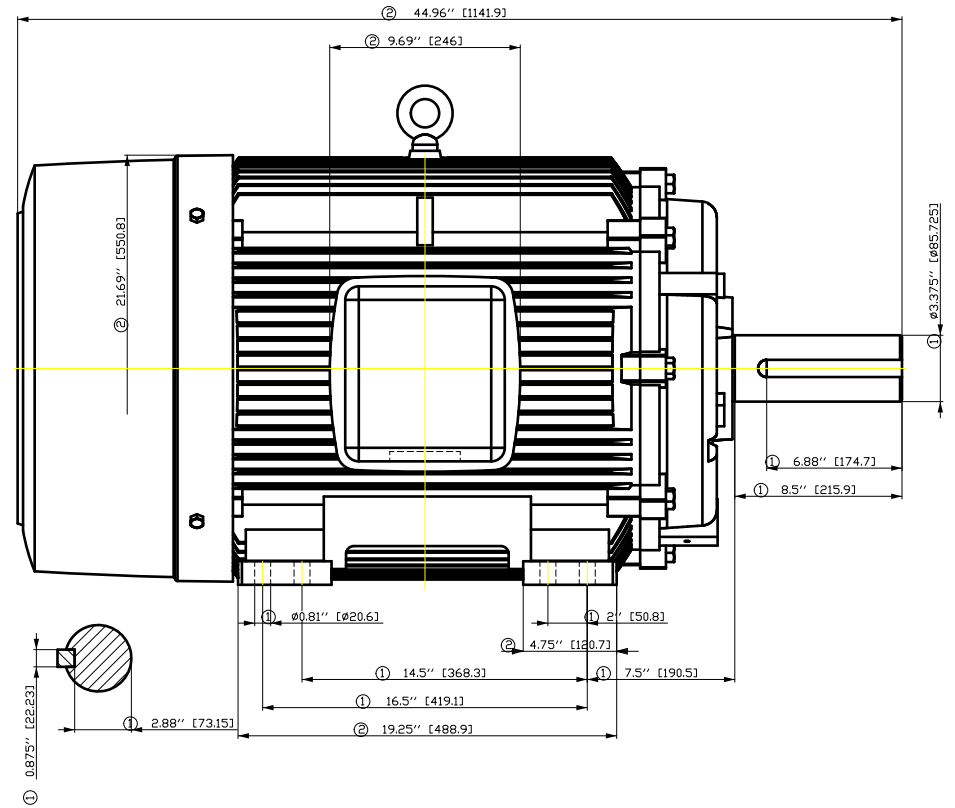
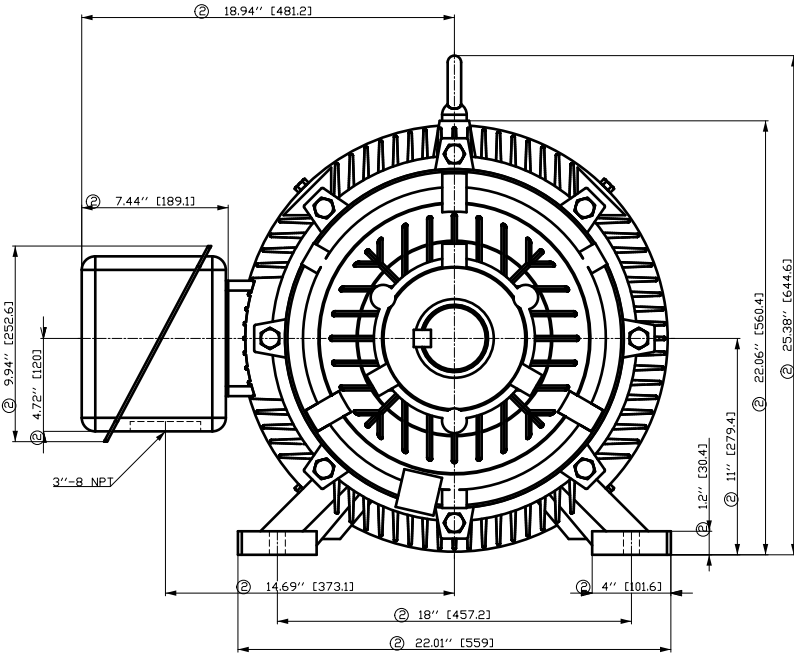
Lead Wire Connection					Terminal box position	(3) F-1, Standard Floor Mount, T. Box LHS
Voltage	L1	L1	L1	Connected together	Material of terminal box	Cast Iron
----	----	----	----	----	Cable entry	3" NPT
----	T1	T2	T3	----		

Notes:

I_L/I_N = locked rotor current / current nominal
M_L/M_N = locked rotor torque / torque nominal
M_B/M_N = break down torque / nominal torque

3) Value is valid only for DOL operation with motor design IC411
2) at rated power / at full load

responsible dep. DI MC LVM	technical reference	created by DT Configurator	approved by	<i>Technical data are subject to change! There may be discrepancies between software and hardware versions</i>			
	document type datasheet	document status released		customer			
	title 1LE2221-4EB11-3AA3	document number					
© Siemens AG 2022	rev. 01	creation date 2022-04-08 23:07	language en	Page 1/1			



① Tolerances according to NEMA std.

② All these dimensions corresponding to assemblies and castings shall have a tolerance as per DIN standard 1686-GTB 19.

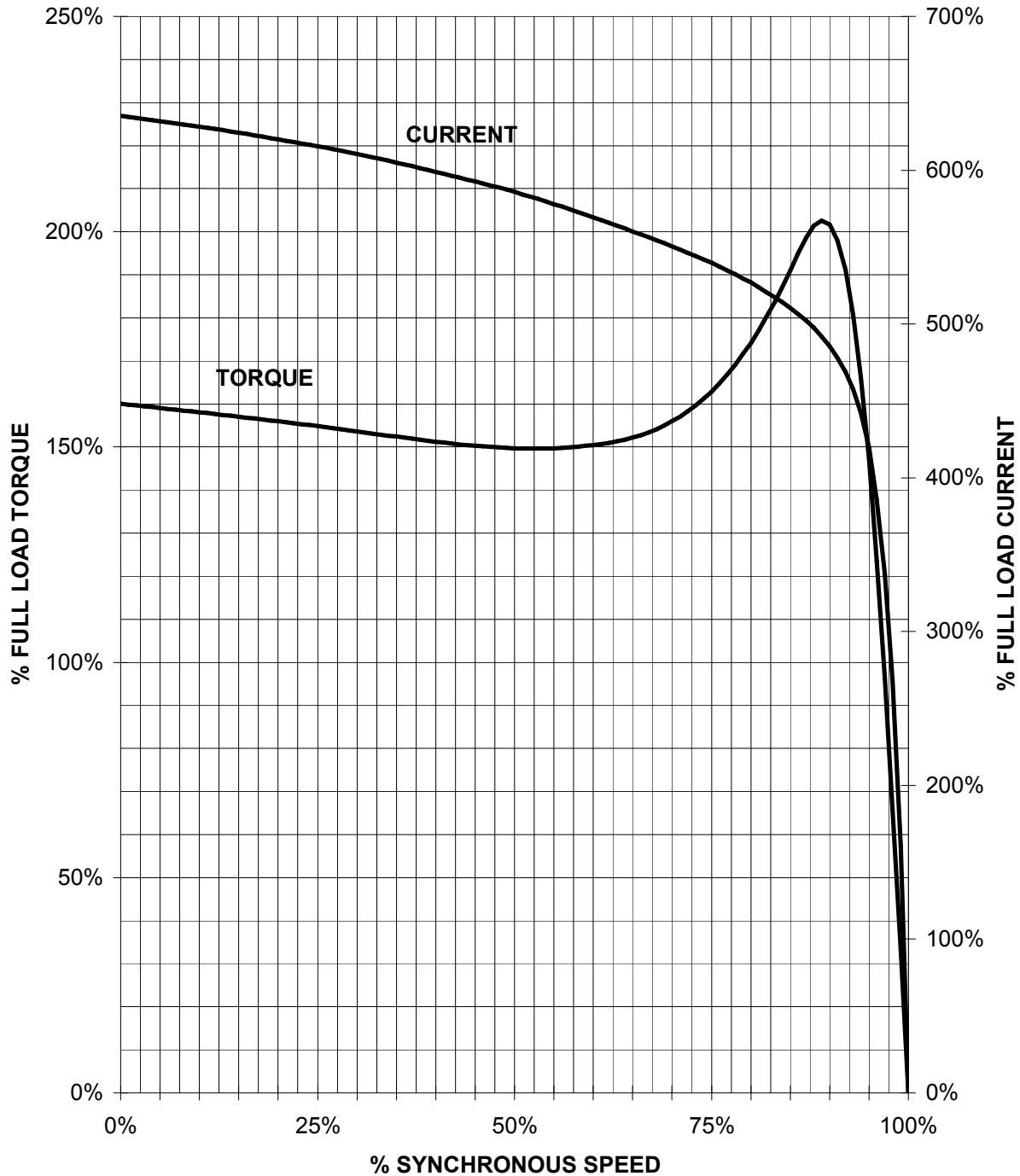
③ Not according to NEMA std.

Tolerance	Surface	Material	Weight	Scale
F5ÖGGGFÈ ÓÖFFÈHCEH È	Author Creator Approval Department Change Order	ÖS T æ : ^æ@` } *	È	{ {
SIEMENS	Doc. State	I ð EEG	MFB	Doc. Type
	Revision	Index RS	Item No	Paper Size
	Project No	È	Doc No	1st Language ^ } 2nd Language â ^
© Siemens AG 2018		Ref No È	Sheet	F of F

SIEMENS INDUSTRY, INC.

HP 125 VOLTS < 600V RPM 1800 TYPE GP100
HZ 60 PHASE 3 FRAME B444T NEMA B

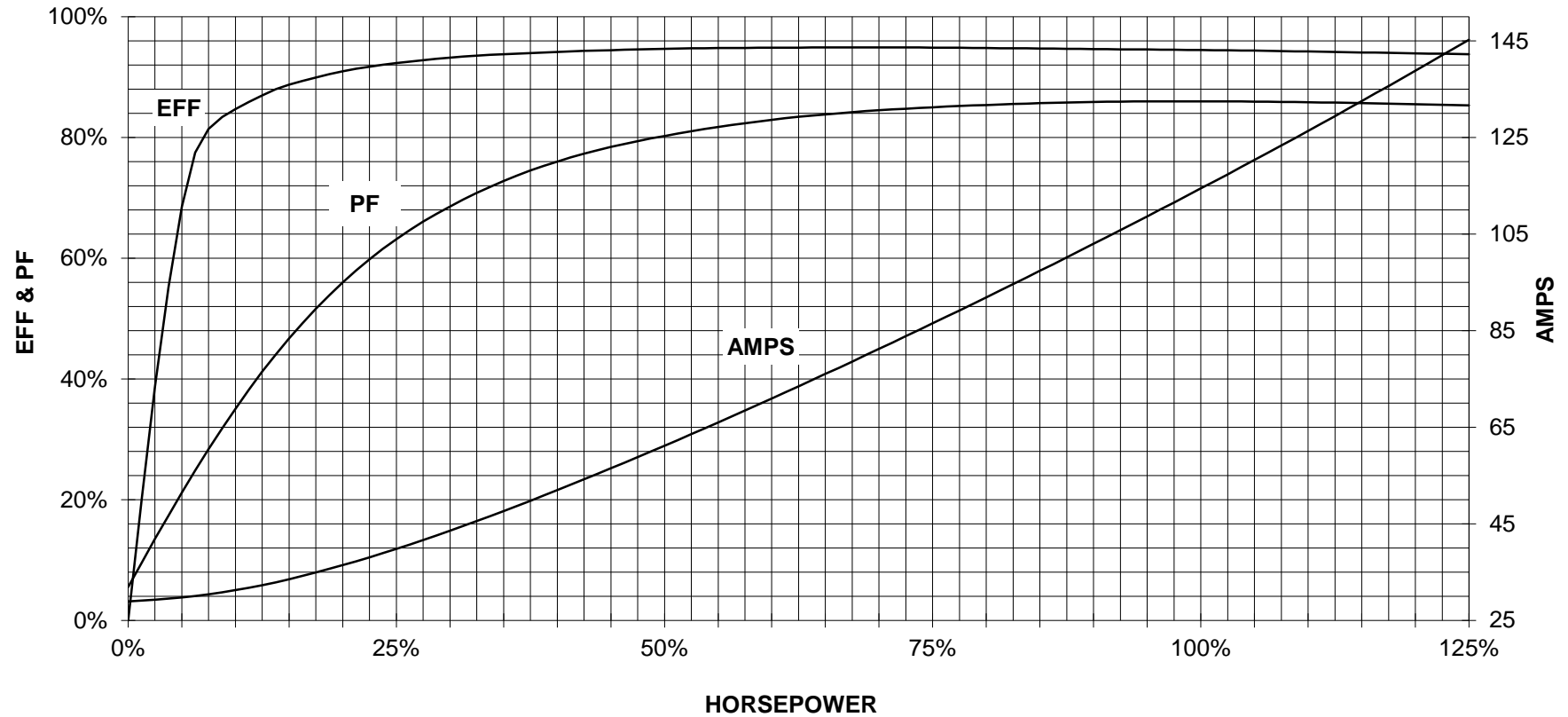
TORQUE & CURRENT VS. SPEED



CUSTOMER: _____ ORDER#: _____

125 HP 1800 RPM B444T FRAME 575 VOLTS 3 PHASE NEMA DESIGN B

SIEMENS INDUSTRY, INC.
PERFORMANCE CURVE
GP100

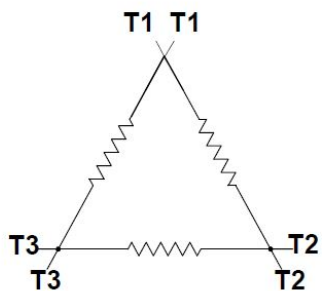


CUSTOMER _____ ORDER # _____ PO # _____


PERFORMANCE BASED ON DESIGN CALCULATIONS. SUBJECT TO CHANGE WITHOUT NOTICE.

REV. 1

Main terminal diagram



6 LEAD DELTA			
LINES			CONN.
L1	L2	L3	
T1	T2	T3	Δ

responsible dep. DI MC LVM	technical reference	created by	approved by	Project		
	document type Wiring Diagram		document status free		customer	
	title 1LE2221-4EB11-3AA3		document number			
© Siemens AG 2019			rev. 01	creation date 12/03/2019	language en	Page 1/1