

Data sheet for three-phase Squirrel-Cage-Motors SIMOTICS

Motor type: **SD100** FS: **184T - 8p - 1.5 hp -**

Client order no.	Item-No.	Offer no.
Order no.	Consignment no.	Project
Remarks		

Electrical data

Class I Division 2 Gr. A, B, C or D, T3

U [V]	Δ/Y	f [Hz]	P [HP]	P [kW]	n [rpm]	I Load [Amps]					LRC	Nom. Eff Load [%]			Pwr. Factor Load [%]			Torque [lb-ft]	T _A /T _N LRT [%]	T _k /T _N BDT [%]
						4/4	3/4	1/2	0	4/4		3/4	2/4	4/4	3/4	2/4				
575	Y	60	1.50	1.00	900	2.40	2.20	2.00	1.80	13.6	82.5	82.0	78.5	56.0	47.0	35.0	9.0	156	278	
Frame Type: 184T		Type of constr.: (G) Round body - C-Face				Ins. Cl.: Standard Class F Insulation		Motor Prot.: (A) Without Protection			NEMA Des.: B		S.F.: 1.15							
Mtr. WT: 119						Temp. Rise Cl.: B		Amb. Temp.: + 40 to -20 °C @1000 m			kVA: L		IP 55							

Mechanical data

Sound level (SPL / SWL) at 60 Hz	54.0 dB(A) / 63.0 dB(A)		Thickener	Polyurea					
Octave Band Center Frequencies Hertz			Safe Stall Time Hot	43 s					
	250	500	1000	2000	4000	8000	Hz	Safe Stall Time Cold	63 s
SPL@3	36.0	46.0	52.0	47.0	41.0	31.0	dB(A)	Frame material	cast iron
Moment of inertia	0.3 Lb-ft ²		Color, paint shade	Standard Paint - RAL7030					
Ext Load Inertia Capability:	45.0 Lb ft ²		Coating (paint finish)	Standard Alkyed + Epoxy (C2)					
Bearings			Ventilation Type						
Bearing DE NDE	6206 Z C3 S0		6206 Z C3 S0	Method of cooling	TEFC				
Bearing_Type	Ball Bearing		Ball Bearing	Direction of rotation	Bidirectional				
AFBMA:	30BC02JP30		30BC02JP30	Fan Material	Polypropylen ESD				
Grease			VFD	CT: 4:1 VT: 20:1					
Capacity	0.2 oz		0.2 oz	Space heaters	without				
Grease Type:	Exxon Mobile EM		Brake:	without					


Terminal box

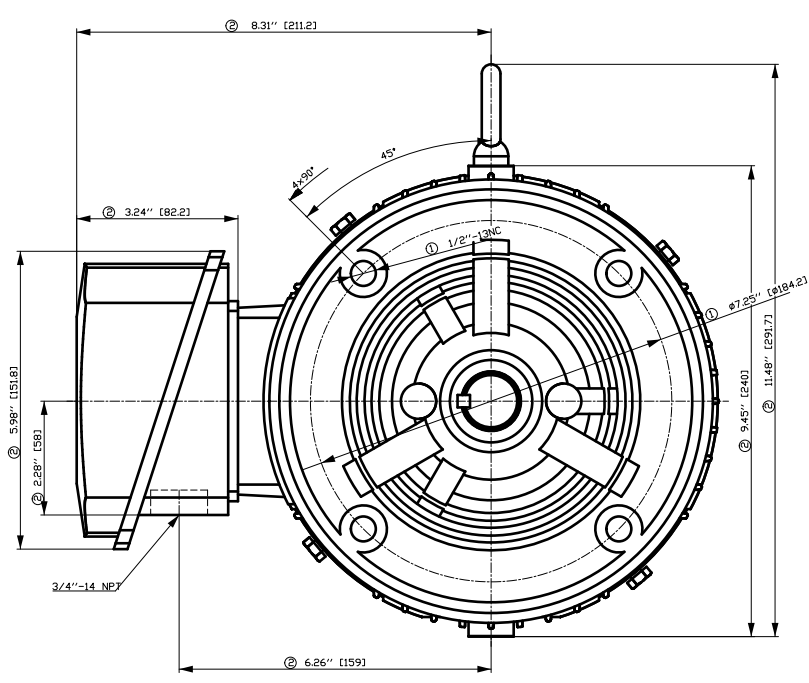
Lead Wire Connection	3 LEAD - WYE				Terminal box position	(3) F-1, Standard Floor Mount, T. Box LHS
Voltage	L1	L1	L1	Connected together	Material of terminal box	Cast Iron
----	----	----	----	----	Cable entry	.75" NPT
----	T1	T2	T3	----		

Notes:

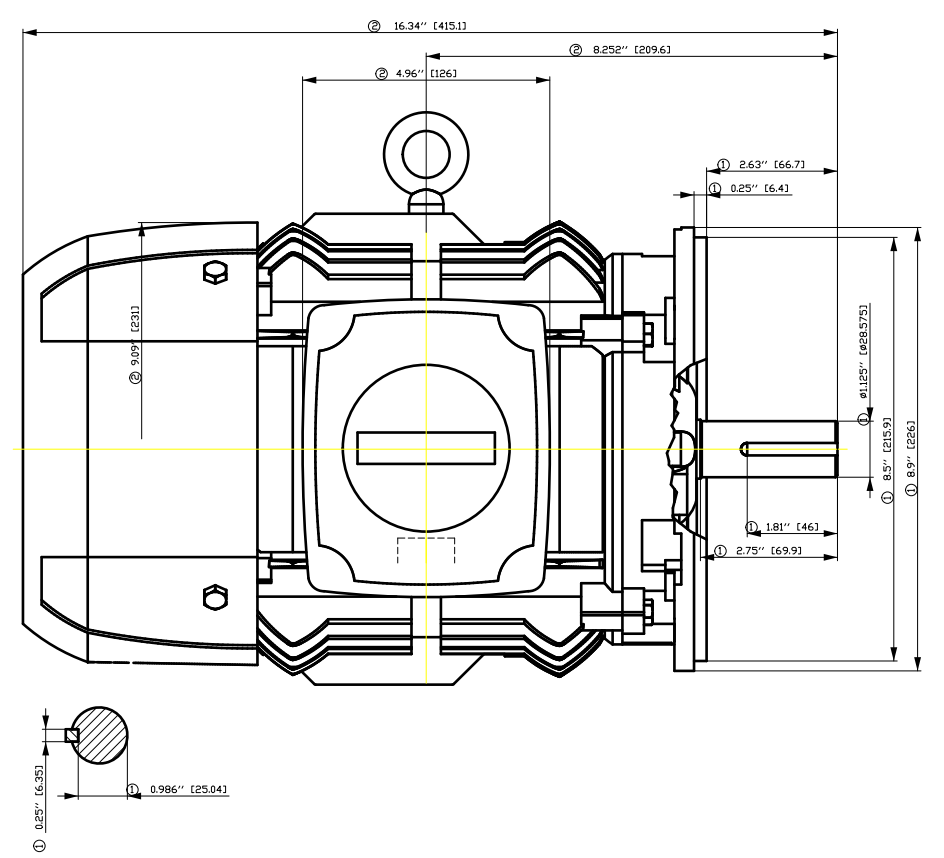
I_L/I_N = locked rotor current / current nominal
M_L/M_N = locked rotor torque / torque nominal
M_B/M_N = break down torque / nominal torque

3) Value is valid only for DOL operation with motor design IC411
2) at rated power / at full load

responsible dep. DI MC LVM	technical reference	created by DT Configurator	approved by	<i>Technical data are subject to change! There may be discrepancies between software and hardware versions</i>			
	document type datasheet	document status released		customer			
	title 1LE2321-1CD31-3GA3	document number					
© Siemens AG 2022	rev. 01	creation date 2022-04-08 17:24	language en	Page 1/1			



- ① Tolerances according to NEMA std.
- ② All these dimensions corresponding to assemblies and castings shall have a tolerance as per DIN standard 1686-GTB 19.
- ③ Not according to NEMA std.



Tolerance	Surface	Material	Weight	Scale	
F5ÖG-HF-ÖÖH-FÖÖH	Author	Öv } * } * } * }	£	{ { }	
£	Creator		ÖVS		
	Approval		Tæ : ^æ@` } *		
	Department				
	Change Order		MFB	Doc Type	/
SIEMENS	Doc State	I ð EGG	Item No	Paper Size	
	Revision	Index RS	Doc No	1st Language ^}	
	Project No	£	Ref No	2nd Language } ^	
© Siemens AG 2018	Project No	£	Ref No	£	
				Sheet F of F	

刀线... 用... 转... 为... 干... 口... 皮... 积... 01... 02... 03... 04... 05... 06... 07... 08... 09... 10... 11... 12... 13... 14... 15... 16... 17... 18... 19... 20... 21... 22... 23... 24... 25... 26... 27... 28... 29... 30... 31... 32... 33... 34... 35... 36... 37... 38... 39... 40... 41... 42... 43... 44... 45... 46... 47... 48... 49... 50... 51... 52... 53... 54... 55... 56... 57... 58... 59... 60... 61... 62... 63... 64... 65... 66... 67... 68... 69... 70... 71... 72... 73... 74... 75... 76... 77... 78... 79... 80... 81... 82... 83... 84... 85... 86... 87... 88... 89... 90... 91... 92... 93... 94... 95... 96... 97... 98... 99... 100...

1 2 3 4 5 6 7 8

A B C D E F

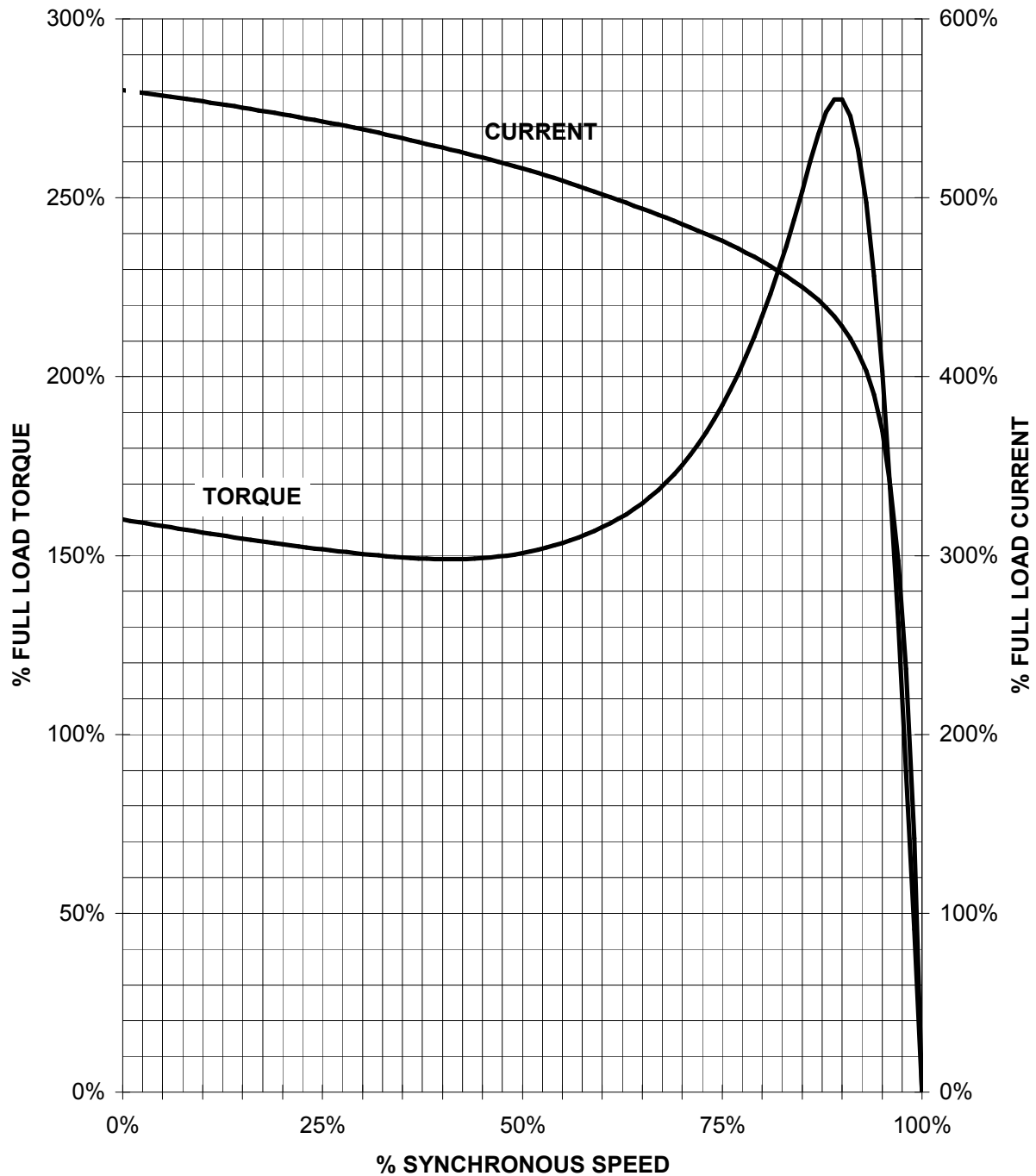
1 2 3 4 5 6 7 8

Λ V

SIEMENS INDUSTRY, INC.

HP 1,5 VOLTS < 600V RPM 900 TYPE SD100
HZ 60 PHASE 3 FRAME 184T NEMA B

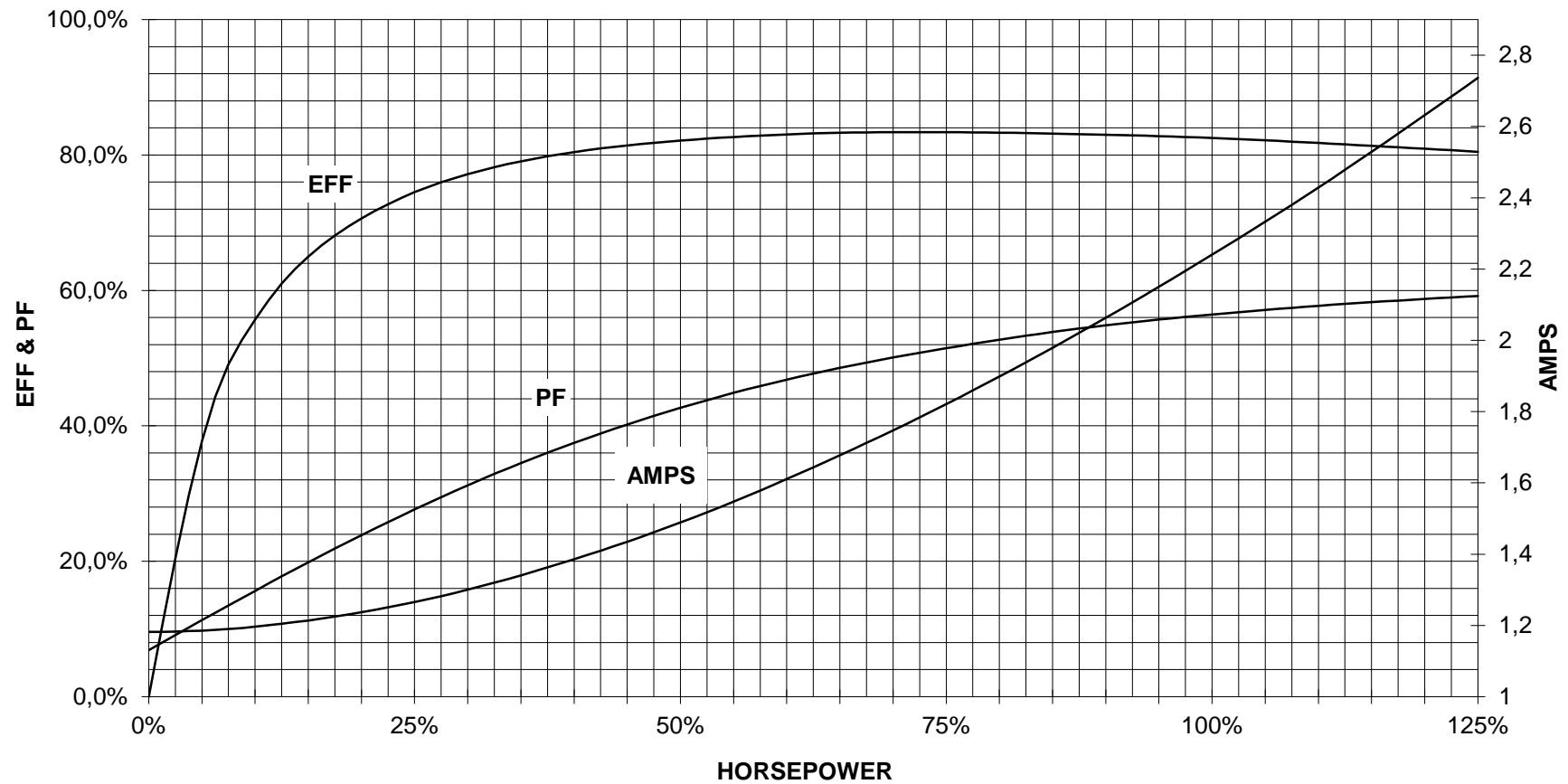
TORQUE & CURRENT VS. SPEED



CUSTOMER: _____ ORDER#: _____

1.5 HP 900 RPM 184T FRAME 575 VOLTS 3 PHASE NEMA DESIGN B

SIEMENS INDUSTRY, INC.
PERFORMANCE CURVE
SD100



CUSTOMER _____ ORDER # _____ PO # _____

PERFORMANCE BASED ON DESIGN CALCULATIONS. SUBJECT TO CHANGE WITHOUT NOTICE.

REV. 1

Main terminal diagram



3 LEAD WYE			
LINES			CONN.
L1	L2	L3	
T1	T2	T3	Y

responsible dep.
DI MC LVM

technical reference

created by

approved by

Project

SIEMENS

document type
Wiring Diagram

title
1LE2321-1CD31-3GA3

document status
free

document number

customer