

Data sheet for three-phase Squirrel-Cage-Motors SIMOTICS

Motor type: **SD100** FS: **256T - 2p - 20 hp -**

| | | |
|------------------|-----------------|-----------|
| Client order no. | Item-No. | Offer no. |
| Order no. | Consignment no. | Project |
| Remarks | | |

Electrical data

Class I Division 2 Gr. A, B, C or D, T3

| U [V] | Δ/Y | f [Hz] | P [HP] | P [kW] | n [rpm] | I Load [Amps] | | | | | LRC | Nom. Eff Load [%] | | | Pwr. Factor Load [%] | | | Torque [lb-ft] | T _A /T _N LRT [%] | T _k /T _N BDT [%] |
|------------------|------------|--|--------|--------|---------|---------------------------------------|-------|-------------------------------------|------|-------|--------------|-------------------|------------|------|----------------------|------|------|----------------|--|--|
| | | | | | | 4/4 | 3/4 | 1/2 | 0 | 4/4 | | 3/4 | 2/4 | 4/4 | 3/4 | 2/4 | | | | |
| 575 | Y | 60 | 20.00 | 15.00 | 3,600 | 18.00 | 13.40 | 9.40 | 4.20 | 116.0 | 91.0 | 91.6 | 92.1 | 91.5 | 91.3 | 86.2 | 30.0 | 183 | 230 | |
| Frame Type: 256T | | Type of constr.: (A) Foot mounted - End shield | | | | Ins. Cl.: Standard Class F Insulation | | Motor Prot.: (A) Without Protection | | | NEMA Des.: B | | S.F.: 1.15 | | | | | | | |
| Mtr. WT: 343 | | | | | | Temp. Rise Cl.: B | | Amb. Temp.: + 40 to -20 °C @1000 m | | | kVA: G | | IP 55 | | | | | | | |

Mechanical data

| | | | | | | | | | |
|--------------------------------------|-------------------------|------|------|--------------|------|------|-----------------------|-------------------------|------------------------------|
| Sound level (SPL / SWL) at 60 Hz | 67.0 dB(A) / 79.0 dB(A) | | | | | | | Thickener | Polyurea |
| Octave Band Center Frequencies Hertz | | | | | | | | Safe Stall Time Hot | 20 s |
| | 250 | 500 | 1000 | 2000 | 4000 | 8000 | Hz | Safe Stall Time Cold | 45 s |
| SPL@3 | 54.0 | 56.0 | 63.0 | 62.0 | 60.0 | 48.0 | dB(A) | Frame material | cast iron |
| Moment of inertia | 1.4 Lb-ft ² | | | | | | | Color, paint shade | Standard Paint - RAL7030 |
| Ext Load Inertia Capability: | 21.0 Lb ft ² | | | | | | | Coating (paint finish) | Standard Alkyed + Epoxy (C2) |
| Bearings | | | | | | | | Ventilation Type | |
| Bearing DE NDE | 6309 Z C3 S0 | | | 6309 Z C3 S0 | | | Method of cooling | TEFC | |
| Bearing_Type | Ball Bearing | | | Ball Bearing | | | Direction of rotation | Bidirectional | |
| AFBMA: | 45BC03JP30 | | | 45BC03JP30 | | | Fan Material | Polypropylen ESD | |
| Grease | | | | | | | | VFD | CT: 4:1 VT: 20:1 |
| Capacity | 0.5 oz | | | 0.5 oz | | | Space heaters | without | |
| Grease Type: | Exxon Mobile EM | | | | | | | Brake: | without |


Terminal box

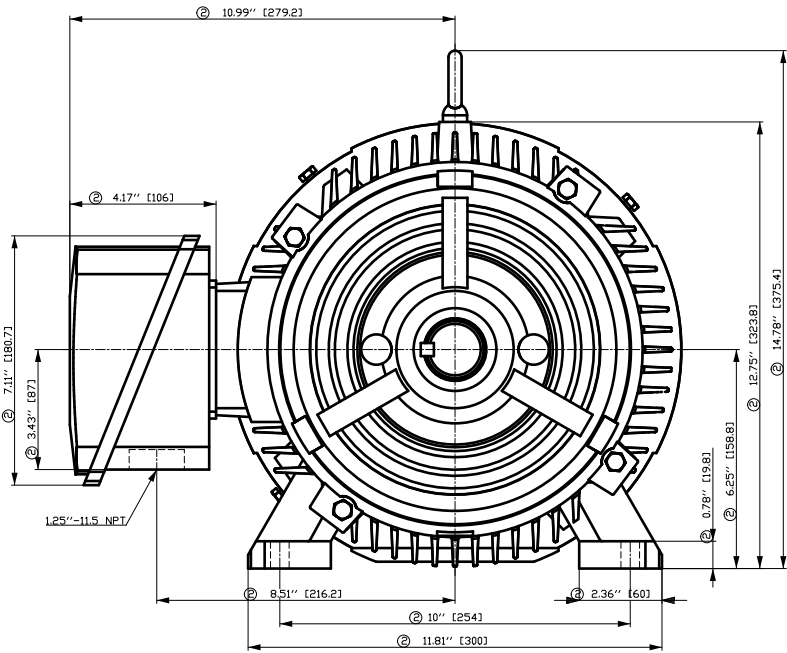
| | | | | | | | | | |
|----------------------|------|------|------|--------------------|--|--------------------------|---|--|--|
| Lead Wire Connection | | | | 3 LEAD - WYE | | Terminal box position | (3) F-1, Standard Floor Mount, T. Box LHS | | |
| Voltage | L1 | L1 | L1 | Connected together | | Material of terminal box | Cast Iron | | |
| ---- | ---- | ---- | ---- | ---- | | Cable entry | 1.25" NPT | | |
| ---- | T1 | T2 | T3 | ---- | | | | | |

Notes:

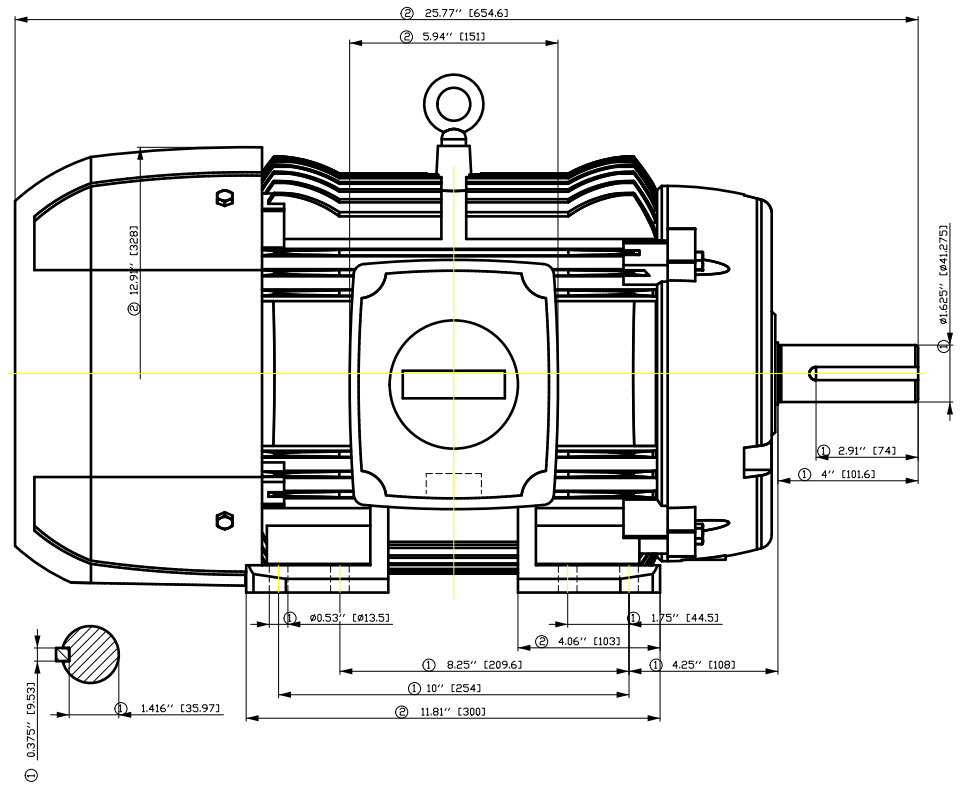
I_L/I_N = locked rotor current / current nominal
M_L/M_N = locked rotor torque / torque nominal
M_B/M_N = break down torque / nominal torque

3) Value is valid only for DOL operation with motor design IC411
2) at rated power / at full load

| | | | | | | | |
|--|-----------------------------|-----------------------------------|----------------|--|--|--|--|
| responsible dep. DI MC LVM | technical reference | created by DT Configurator | approved by | <i>Technical data are subject to change! There may be discrepancies between software and hardware versions</i> | | | |
|  | document type datasheet | document status released | | customer | | | |
| | title 1LE2321-2BA21-3AA3 | document number | | | | | |
| © Siemens AG 2022 | rev. 01 | creation date 2022-04-08 19:46 | language en | Page 1/1 | | | |



- ① Tolerances according to NEMA std.
- ② All these dimensions corresponding to assemblies and castings shall have a tolerance as per DIN standard 1686-GTB 19.
- ③ Not according to NEMA std.

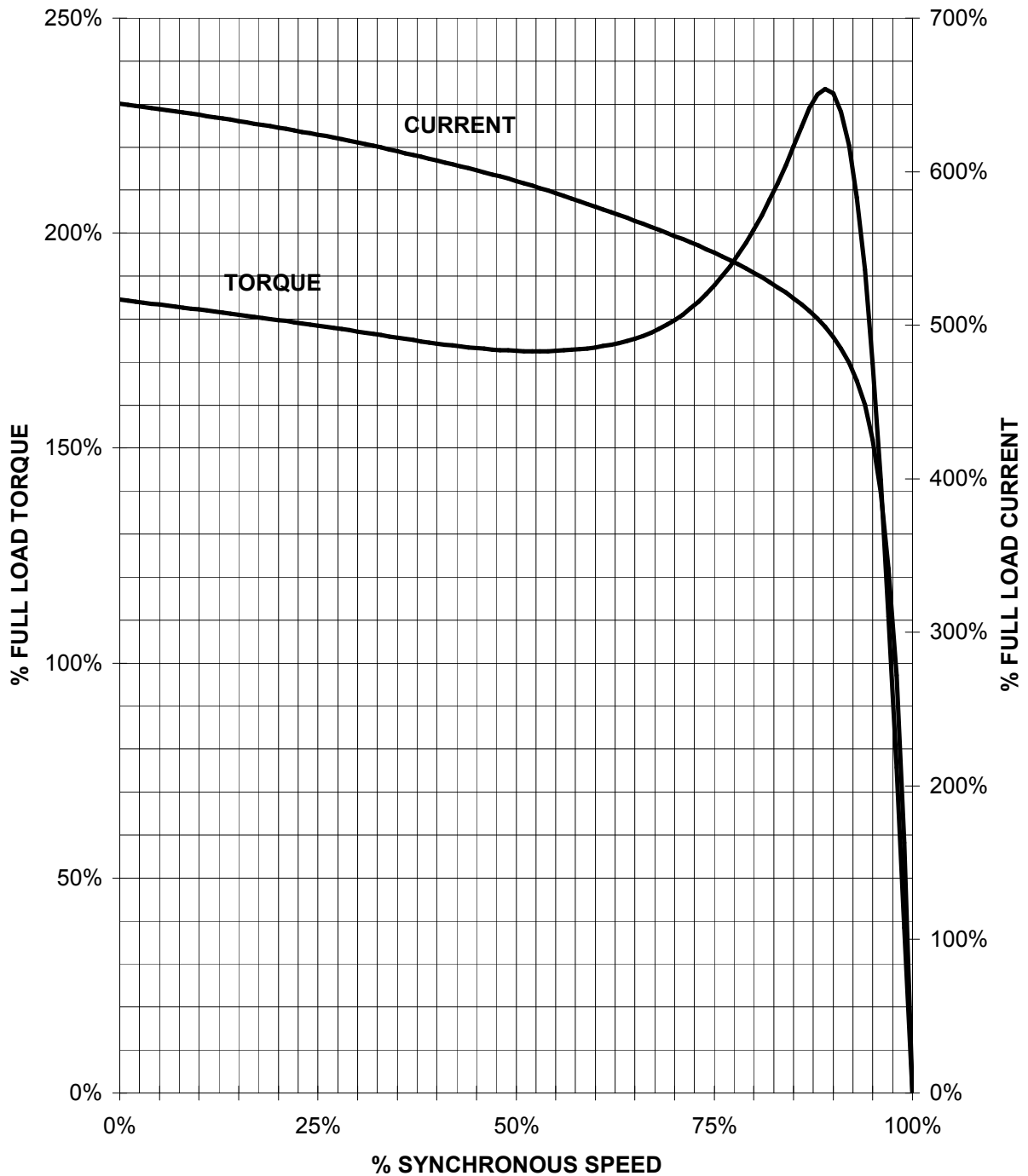


| Tolerance | Surface | Material | Weight | Scale |
|--------------------------|---|------------------------|--------------|--------|
| F50G-HF-E00G-F-H00H E | Author Creator Approval Department Change Order | ÖVS T aë : ^æ@` } * | E | { { |
| SIEMENS | Doc. State | I B EGG | Doc Type | / |
| | Revision | Index RS | Paper Size | CH |
| © Siemens AG 2018 | Project No | E | 1st Language | ^ |
| | | | 2nd Language | â^ |
| | | | Sheet | F of F |

SIEMENS INDUSTRY, INC.

HP 20 VOLTS < 600V RPM 3600 TYPE SD100
HZ 60 PHASE 3 FRAME 256T NEMA B

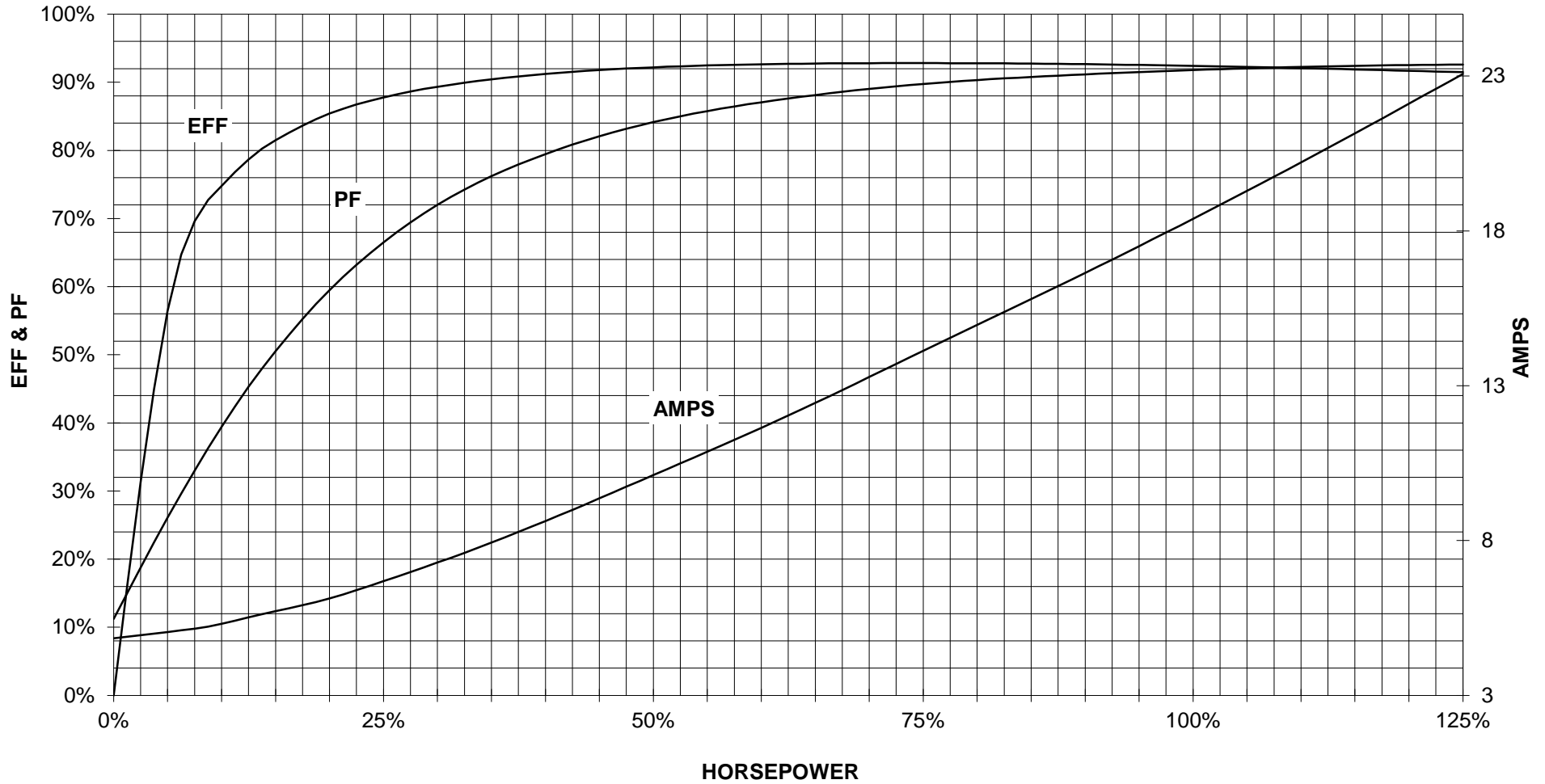
TORQUE & CURRENT VS. SPEED



CUSTOMER: _____ ORDER#: _____

20 HP 3600 RPM 256T FRAME 575 VOLTS 3 PHASE NEMA DESIGN B

SIEMENS INDUSTRY, INC.
PERFORMANCE CURVE
SD100



CUSTOMER _____ ORDER # _____ PO # _____

PERFORMANCE BASED ON DESIGN CALCULATIONS. SUBJECT TO CHANGE WITHOUT NOTICE.

REV. 1

Main terminal diagram



| 3 LEAD WYE | | | |
|------------|----|----|-------|
| LINES | | | CONN. |
| L1 | L2 | L3 | |
| T1 | T2 | T3 | Y |

responsible dep.
DI MC LVM

technical reference

created by

approved by

Project

SIEMENS

document type
Wiring Diagram

title
1LE2321-2BA21-3AA3

document status
free

document number

customer