

Data sheet for three-phase Squirrel-Cage-Motors SIMOTICS

Motor type: **SD100** FS: **256T - 8p - 7.5 hp -**

Client order no.	Item-No.	Offer no.
Order no.	Consignment no.	Project
Remarks		

Electrical data

Class I Division 2 Gr. A, B, C or D, T3

U [V]	Δ/Y	f [Hz]	P [HP]	P [kW]	n [rpm]	I Load [Amps]					LRC	Nom. Eff Load [%]			Pwr. Factor Load [%]			Torque [lb-ft]	T _A /T _N LRT [%]	T _k /T _N BDT [%]
						4/4	3/4	1/2	0	4/4		3/4	2/4	4/4	3/4	2/4				
575	Y	60	7.50	5.50	900	10.40	8.70	7.30	6.30	40.0	87.5	88.0	87.0	62.0	55.0	44.0	45.0	164	200	

Frame Type: 256T	Type of constr.: (G) Round body - C-Face	Ins. Cl.: Standard Class F Insulation	Motor Prot.: (A) Without Protection	NEMA Des.: B	S.F.: 1.15
Mtr. WT: 279		Temp. Rise Cl.: B	Amb. Temp.: + 40 to -20 °C @1000 m	kVA: G	IP 55

Mechanical data

Sound level (SPL / SWL) at 60 Hz	67.0 dB(A) / 77.0 dB(A)							Thickener	Polyurea
Octave Band Center Frequencies Hertz								Safe Stall Time Hot	50 s
	250	500	1000	2000	4000	8000	Hz	Safe Stall Time Cold	100 s
SPL@3	50.0	64.0	61.0	57.0	46.0	39.0	dB(A)	Frame material	cast iron
Moment of inertia	1.8 Lb-ft ²							Color, paint shade	Standard Paint - RAL7030
Ext Load Inertia Capability:	208.0 Lb ft ²							Coating (paint finish)	Standard Alkyed + Epoxy (C2)
Bearings								Ventilation Type	
Bearing DE NDE	6309 Z C3 S0			6309 Z C3 S0				Method of cooling	TEFC
Bearing_Type	Ball Bearing			Ball Bearing				Direction of rotation	Bidirectional
AFBMA:	45BC03JP30			45BC03JP30				Fan Material	Polypropylen ESD
Grease								VFD	CT: 4:1 VT: 20:1
Capacity	0.5 oz			0.5 oz				Space heaters	without
Grease Type:	Exxon Mobile EM							Brake:	without


Terminal box

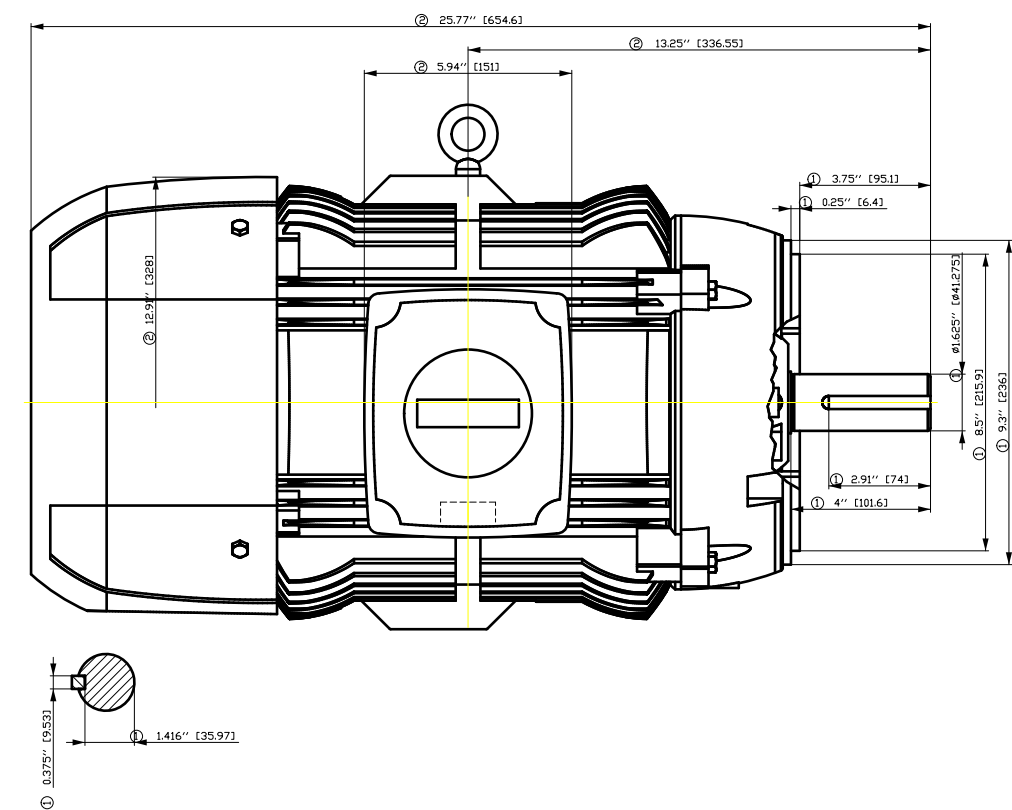
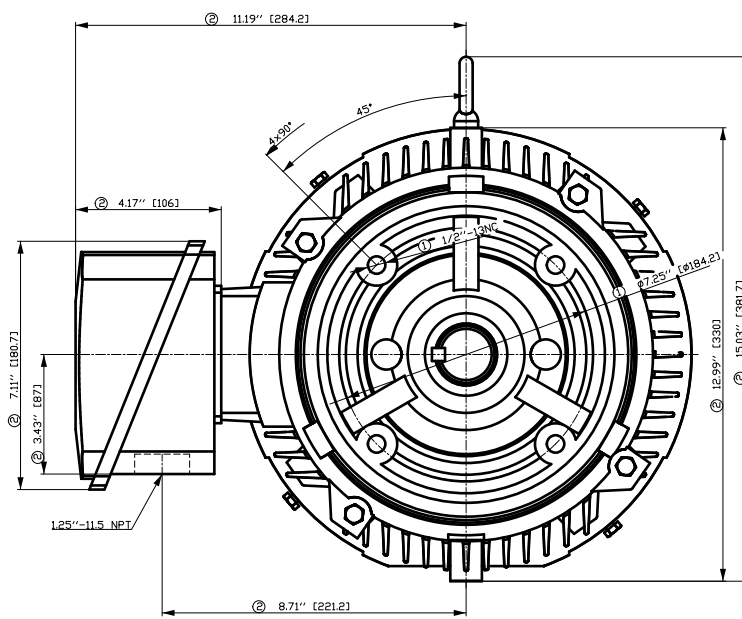
Lead Wire Connection	3 LEAD - WYE				Terminal box position	(3) F-1, Standard Floor Mount, T. Box LHS
Voltage	L1	L1	L1	Connected together	Material of terminal box	Cast Iron
----	----	----	----	----	Cable entry	1.25" NPT
----	T1	T2	T3	----		

Notes:

I_L/I_N = locked rotor current / current nominal
M_L/M_N = locked rotor torque / torque nominal
M_B/M_N = break down torque / nominal torque

3) Value is valid only for DOL operation with motor design IC411
2) at rated power / at full load

responsible dep. DI MC LVM	technical reference	created by DT Configurator	approved by	<i>Technical data are subject to change! There may be discrepancies between software and hardware versions</i>			
	document type datasheet	document status released		customer			
	title 1LE2321-2BD21-3GA3	document number					
© Siemens AG 2022	rev. 01	creation date 2022-04-08 19:57	language en	Page 1/1			



- ① Tolerances according to NEMA std.
- ② All these dimensions corresponding to assemblies and castings shall have a tolerance as per DIN standard 1686-GTB 19.
- ③ Not according to NEMA std.

Tolerance	Surface	Material	Weight	Scale
F50GHCFE00GF00EH	Author	Ö&A } • 4 } 4 4 4 } *	E	{ {
E	Creator	ÖVS		
	Approval	T a e : ^ 2 @ } *		
	Department			
	Change Order	MFB		Doc Type
SIEMENS	Doc. State	I B B G	Item No	Paper Size CH
© Siemens AG	Revision	Index	Doc No	1st Language ^ }
2018	Project No	E	Ref No	2nd Language 2 }
				Sheet F of F

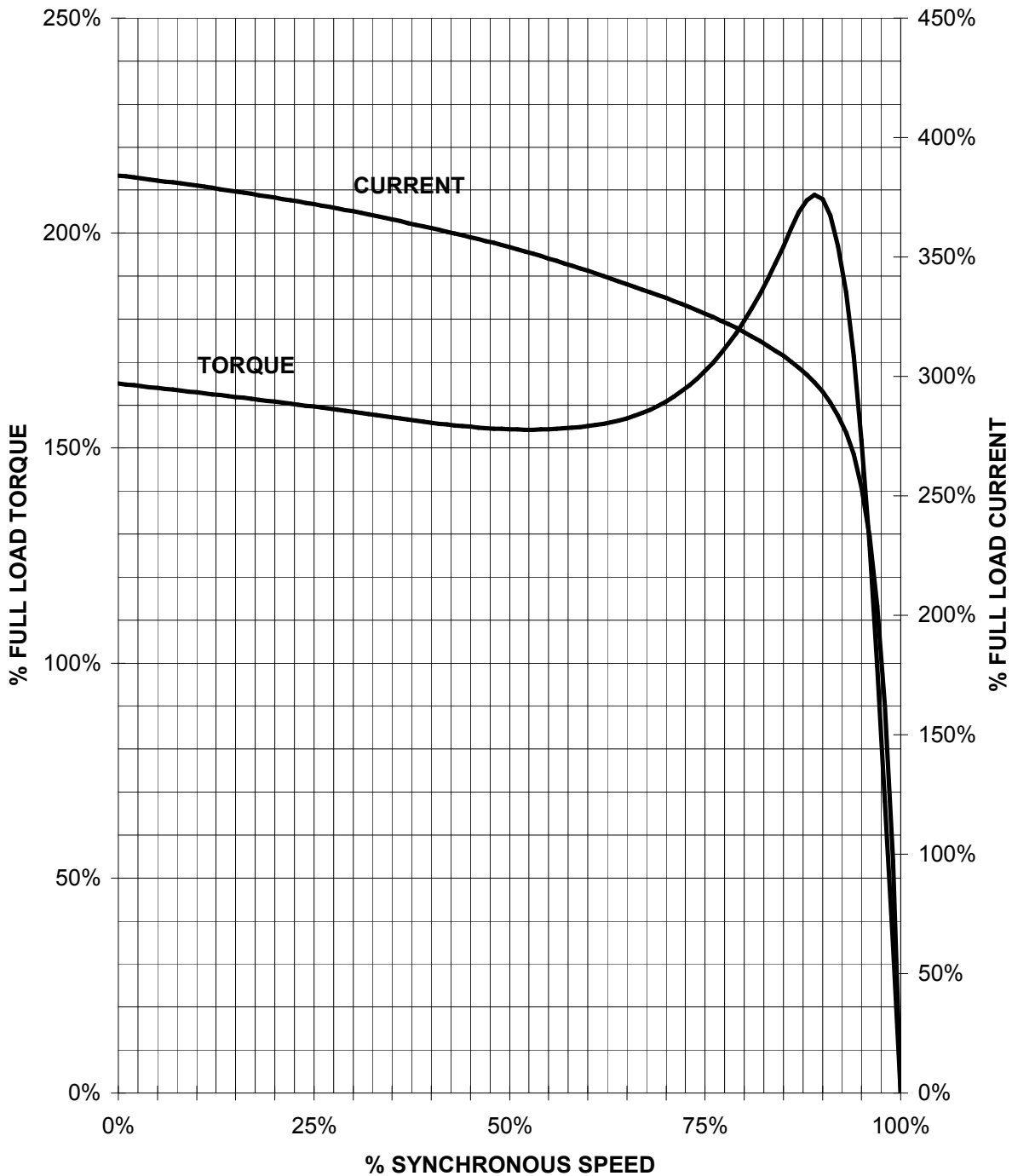
刀線管
用特
文
版
...

01...
 02...
 03...
 04...
 05...
 06...
 07...
 08...
 09...
 10...
 11...
 12...
 13...
 14...
 15...
 16...
 17...
 18...
 19...
 20...
 21...
 22...
 23...
 24...
 25...
 26...
 27...
 28...
 29...
 30...
 31...
 32...
 33...
 34...
 35...
 36...
 37...
 38...
 39...
 40...
 41...
 42...
 43...
 44...
 45...
 46...
 47...
 48...
 49...
 50...
 51...
 52...
 53...
 54...
 55...
 56...
 57...
 58...
 59...
 60...
 61...
 62...
 63...
 64...
 65...
 66...
 67...
 68...
 69...
 70...
 71...
 72...
 73...
 74...
 75...
 76...
 77...
 78...
 79...
 80...
 81...
 82...
 83...
 84...
 85...
 86...
 87...
 88...
 89...
 90...
 91...
 92...
 93...
 94...
 95...
 96...
 97...
 98...
 99...
 100...

SIEMENS INDUSTRY, INC.

HP 7.5 VOLTS < 600V RPM 900 TYPE SD100
HZ 60 PHASE 3 FRAME 256T NEMA B

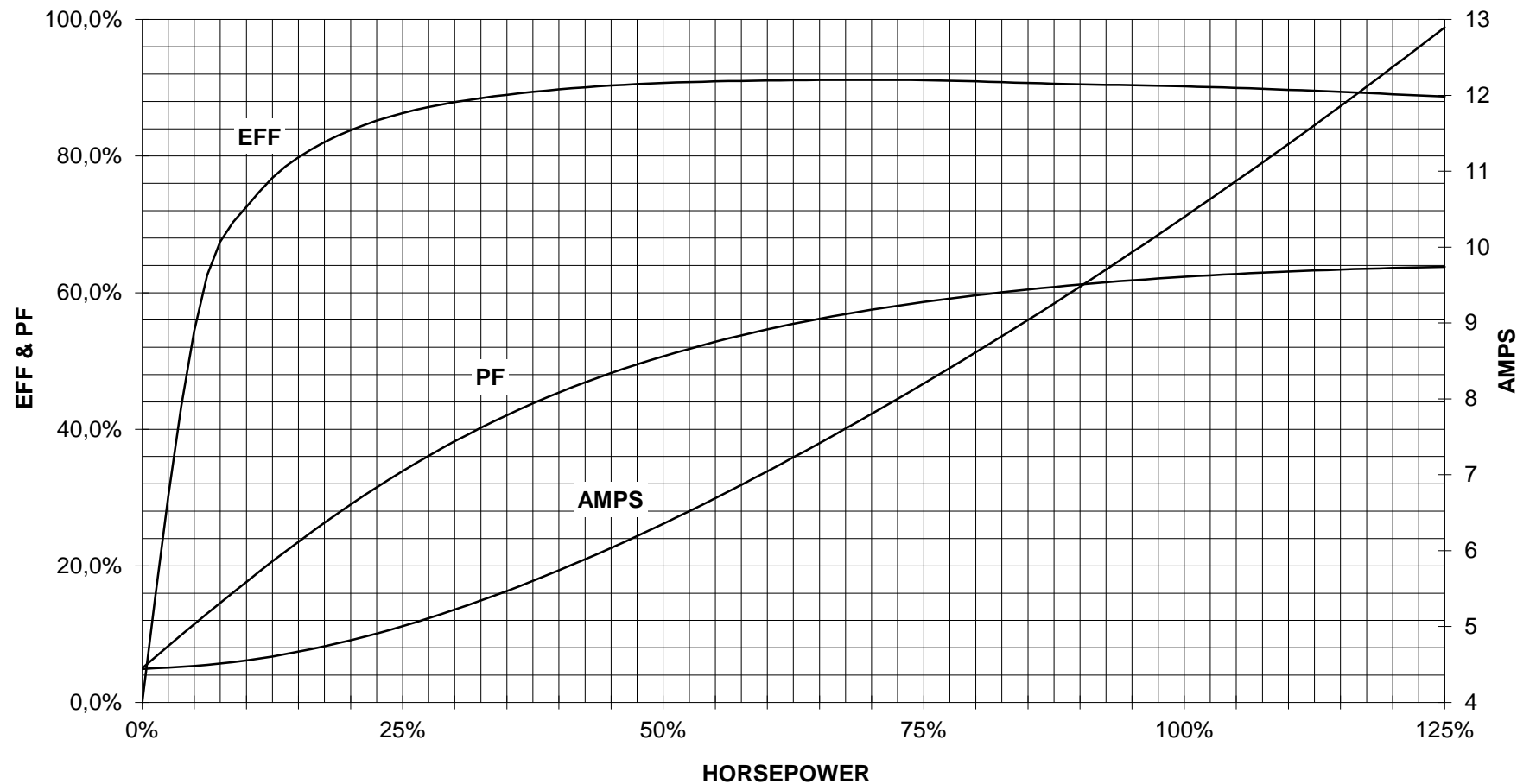
TORQUE & CURRENT VS. SPEED



CUSTOMER: _____ ORDER#: _____

7.5 HP 900 RPM 256T FRAME 575 VOLTS 3 PHASE NEMA DESIGN B

SIEMENS INDUSTRY, INC.
PERFORMANCE CURVE
SD100



CUSTOMER _____ ORDER # _____ HORSEPOWER _____ PO # _____

PERFORMANCE BASED ON DESIGN CALCULATIONS. SUBJECT TO CHANGE WITHOUT NOTICE.

REV. 1

Main terminal diagram



3 LEAD WYE			
LINES			CONN.
L1	L2	L3	
T1	T2	T3	Y

responsible dep.
DI MC LVM

technical reference

created by

approved by

Project

SIEMENS

document type
Wiring Diagram

title
1LE2321-2BD21-3GA3

document status
free

document number

customer