

Data sheet for three-phase Squirrel-Cage-Motors SIMOTICS

Motor type: **SD100** FS: **324T - 6p - 25 hp -**

| | | |
|------------------|-----------------|-----------|
| Client order no. | Item-No. | Offer no. |
| Order no. | Consignment no. | Project |

Remarks

Electrical data

Class I Division 2 Gr. A, B, C or D, T3 Class II, Division 2 Gr. F or G

| U [V] | Δ / Y | f [Hz] | P [HP] | P [kW] | n [rpm] | I Load [Amps] | | | | | LRC | Nom. Eff Load [%] | | | Pwr. Factor Load [%] | | | Torque [lb-ft] | T _A /T _N LRT [%] | T _k /T _N BDT [%] |
|-------|--------------|--------|--------|--------|---------|---------------|-------|-------|-------|-------|------|-------------------|------|------|----------------------|------|-------|----------------|--|--|
| | | | | | | 4/4 | 3/4 | 1/2 | 0 | 4/4 | | 3/4 | 2/4 | 4/4 | 3/4 | 2/4 | | | | |
| 460 | Δ | 60 | 25.00 | 18.50 | 1,200 | 33.00 | 26.20 | 20.40 | 14.00 | 183.0 | 93.0 | 93.2 | 92.7 | 76.0 | 72.0 | 62.0 | 111.0 | 170 | 241 | |
| 400 | Δ | 50 | 20.00 | | 989 | 32.84 | 27.58 | 20.82 | 18.30 | 189.7 | 91.2 | 91.2 | 89.9 | 70.8 | 63.2 | 50.4 | 106.3 | 226 | 288 | |

| | | | | | |
|------------------|--|---------------------------------------|-------------------------------------|--------------|------------|
| Frame Type: 324T | Type of constr.: (A) Foot mounted - End shield | Ins. Cl.: Standard Class F Insulation | Motor Prot.: (A) Without Protection | NEMA Des.: B | S.F.: 1.15 |
| Mtr. WT: 623 | | Temp. Rise Cl.: B | Amb. Temp.: + 40 to -20 °C @1000 m | kVA: G | IP 55 |

Mechanical data

| | | | | | | | | | |
|--------------------------------------|--------------------------|------|------|--------------|------|------|-----------------------|-------------------------|------------------------------|
| Sound level (SPL / SWL) at 60 Hz | 63.0 dB(A) / 73.0 dB(A) | | | | | | | Thickener | Polyurea |
| Octave Band Center Frequencies Hertz | | | | | | | | Safe Stall Time Hot | 28 s |
| | 250 | 500 | 1000 | 2000 | 4000 | 8000 | Hz | Safe Stall Time Cold | 54 s |
| SPL@3 | 51.0 | 57.0 | 58.0 | 56.0 | 51.0 | 50.0 | dB(A) | Frame material | cast iron |
| Moment of inertia | 9.3 Lb-ft ² | | | | | | | Color, paint shade | Standard Paint - RAL7030 |
| Ext Load Inertia Capability: | 324.0 Lb ft ² | | | | | | | Coating (paint finish) | Standard Alkyed + Epoxy (C2) |
| Bearings | | | | | | | | Ventilation Type | |
| Bearing DE NDE | 6312 Z C3 S0 | | | 6312 Z C3 S0 | | | Method of cooling | TEFC | |
| Bearing_Type | Ball Bearing | | | Ball Bearing | | | Direction of rotation | Bidirectional | |
| AFBMA: | 60BC03JP30 | | | 60BC03JP30 | | | Fan Material | Polypropylen ESD | |
| Grease | | | | | | | | VFD | CT: 4:1 VT: 20:1 |
| Capacity | 5.5 oz | | | 5.5 oz | | | Space heaters | without | |
| Grease Type: | Exxon Mobile EM | | | | | | | Brake: | without |

Terminal box


| | | | | | | |
|----------------------|----------------|------|------|--------------------|--------------------------|---|
| Lead Wire Connection | 3 LEAD - DELTA | | | | Terminal box position | (3) F-1, Standard Floor Mount, T. Box LHS |
| Voltage | L1 | L1 | L1 | Connected together | Material of terminal box | Cast Iron |
| ---- | ---- | ---- | ---- | ---- | Cable entry | 2" NPT |
| ---- | T1 | T2 | T3 | ---- | | |

Notes:

I_L/I_N = locked rotor current / current nominal
M_L/M_N = locked rotor torque / torque nominal
M_d/M_N = break down torque / nominal torque

3) Value is valid only for DOL operation with motor design IC411
2) at rated power / at full load

| | | | | |
|-------------------------------|---------------------|-------------------------------|-------------|---|
| responsible dep. DI MC LVM | technical reference | created by DT Configurator | approved by | <i>Technical data are subject to change! There may be discrepancies between software and hardware versions.</i> |
|-------------------------------|---------------------|-------------------------------|-------------|---|

| | | | | |
|--|-----------------------------|-----------------------------------|----------------|-------------|
|  | document type datasheet | document status released | customer | |
| | title 1LE2321-3AC11-2AA3 | document number | | |
| © Siemens AG 2022 | rev. 01 | creation date 2022-04-08 21:20 | language en | Page 1/1 |

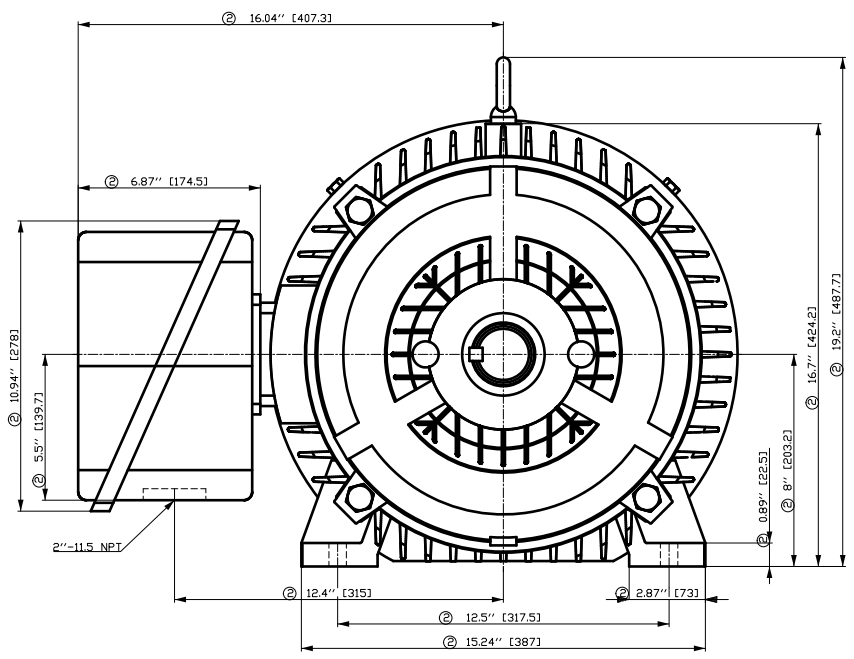
刀线需
 用转
 为
 积

 刀线需
 用转
 为
 积

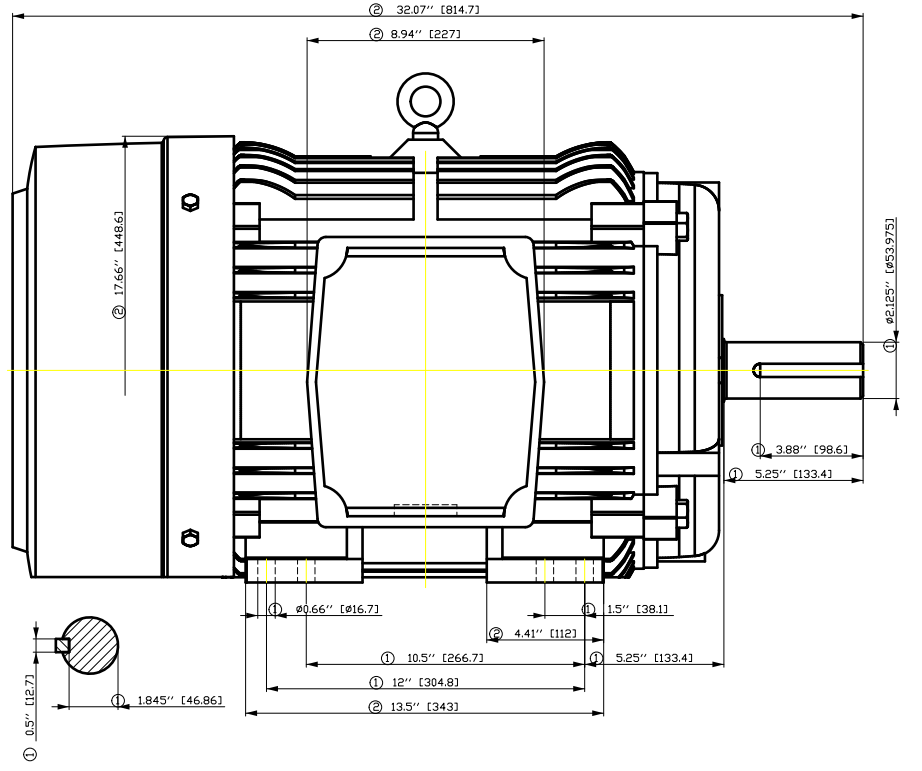
 刀线需
 用转
 为
 积

 刀线需
 用转
 为
 积

 刀线需
 用转
 为
 积



- ① Tolerances according to NEMA std.
- ② All these dimensions corresponding to assemblies and castings shall have a tolerance as per DIN standard 1686-GTB 19.
- ③ Not according to NEMA std.

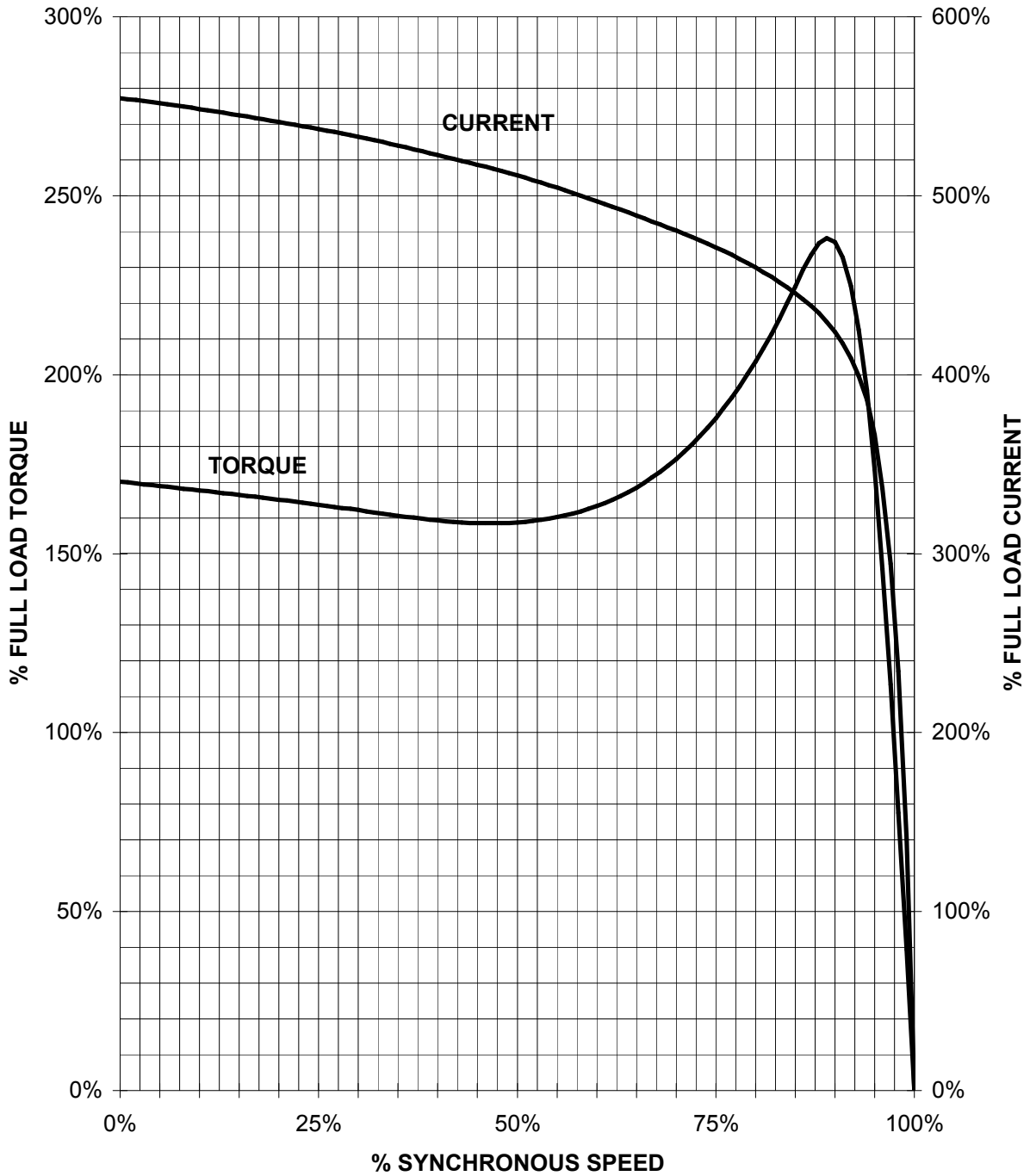


| Tolerance | Surface | Material | Weight | Scale |
|----------------------|---|-----------------------------|----------|--|
| F50HGFB0OFFB00H E | Author Creator Approval Department Change Order | ÖS T a : ^ @ ^ } * | E | |
| SIEMENS | I 10 ECG | | | |
| © Siemens AG 2018 | Doc. State Revision | MLFB Item No. Doc No. | Doc Type | Paper Size 1st Language 2nd Language |
| | Project No | Ref No | Sheet | F of F |

SIEMENS INDUSTRY, INC.

HP 25 VOLTS < 600V RPM 1200 TYPE SD100
HZ 60 PHASE 3 FRAME 324T NEMA B

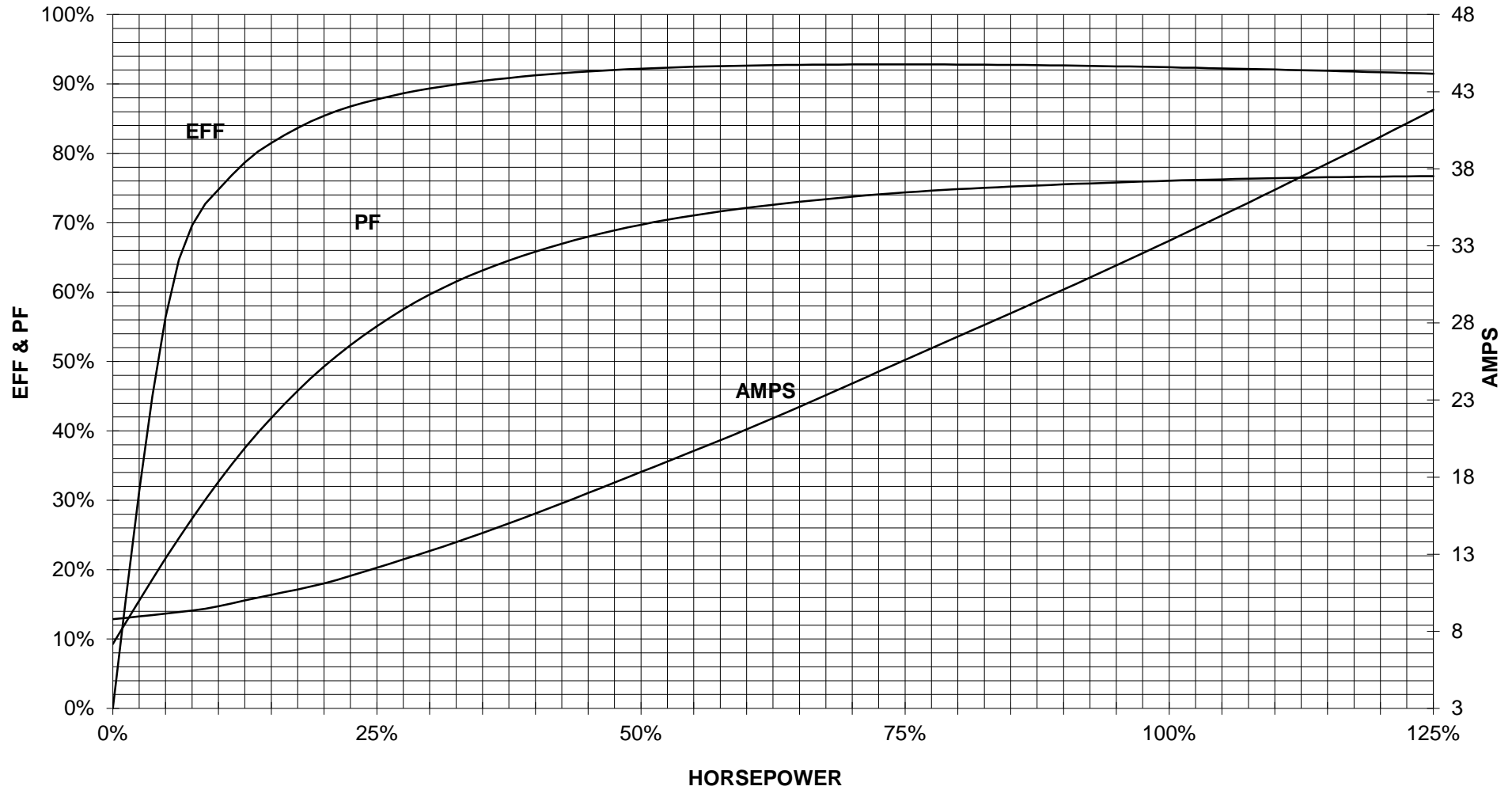
TORQUE & CURRENT VS. SPEED



CUSTOMER: _____ ORDER#: _____

25 HP 1200 RPM 324T FRAME 460 VOLTS 3 PHASE NEMA DESIGN B

SIEMENS INDUSTRY, INC.
PERFORMANCE CURVE
SD100

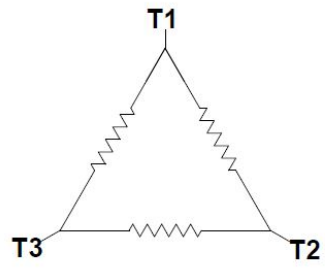


CUSTOMER _____ ORDER # _____ PO # _____


PERFORMANCE BASED ON DESIGN CALCULATIONS. SUBJECT TO CHANGE WITHOUT NOTICE.

REV. 1

Main terminal diagram



| 3 LEAD DELTA | | | |
|--------------|----|----|-------|
| LINES | | | CONN. |
| L1 | L2 | L3 | |
| T1 | T2 | T3 | Δ |

| | | | | | | |
|--|---------------------------------|------------|-------------------------|-----------------------------|----------------|-------------|
| responsible dep. DI MC LVM | technical reference | created by | approved by | Project | | |
|  | document type Wiring Diagram | | document status free | | customer | |
| | title 1LE2321-3AC11-2AA3 | | document number | | | |
| © Siemens AG 2019 | | | rev. 01 | creation date 12/03/2019 | language en | Page 1/1 |