

Data sheet for three-phase Squirrel-Cage-Motors SIMOTICS

Motor type: **SD100** FS: **324T - 6p - 25 hp -**

Client order no.	Item-No.	Offer no.
Order no.	Consignment no.	Project
Remarks		

Electrical data

Class I Division 2 Gr. A, B, C or D, T3 Class II, Division 2 Gr. F or G

U [V]	Δ/Y	f [Hz]	P [HP]	P [kW]	n [rpm]	I Load [Amps]					LRC	Nom. Eff Load [%]			Pwr. Factor Load [%]			Torque [lb-ft]	T _A /T _N LRT [%]	T _k /T _N BDT [%]
						4/4	3/4	1/2	0	4/4		3/4	2/4	4/4	3/4	2/4				
575	Δ	60	25.00	18.50	1,200	26.40	20.90	16.30	11.20	146.4	93.0	93.2	92.7	76.0	72.0	62.0	111.0	170	241	

Frame Type: 324T	Type of constr.: (A) Foot mounted - End shield	Ins. Cl.: Standard Class F Insulation	Motor Prot.: (A) Without Protection	NEMA Des.: B	S.F.: 1.15
Mtr. WT: 623		Temp. Rise Cl.: B	Amb. Temp.: + 40 to -20 °C @1000 m	kVA: G	IP 55

Mechanical data

Sound level (SPL / SWL) at 60 Hz	63.0 dB(A) / 73.0 dB(A)							Thickener	Polyurea
Octave Band Center Frequencies Hertz								Safe Stall Time Hot	28 s
	250	500	1000	2000	4000	8000	Hz	Safe Stall Time Cold	54 s
SPL@3	51.0	57.0	58.0	56.0	51.0	50.0	dB(A)	Frame material	cast iron
Moment of inertia	9.3 Lb-ft ²							Color, paint shade	Standard Paint - RAL7030
Ext Load Inertia Capability:	324.0 Lb ft ²							Coating (paint finish)	Standard Alkyed + Epoxy (C2)
Bearings								Ventilation Type	
Bearing DE NDE	6312 Z C3 S0			6312 Z C3 S0				Method of cooling	TEFC
Bearing_Type	Ball Bearing			Ball Bearing				Direction of rotation	Bidirectional
AFBMA:	60BC03JP30			60BC03JP30				Fan Material	Polypropylen ESD
Grease								VFD	CT: 4:1 VT: 20:1
Capacity	5.5 oz			5.5 oz				Space heaters	without
Grease Type:	Exxon Mobile EM							Brake:	without


Terminal box

Lead Wire Connection	3 LEAD - DELTA				Terminal box position	(3) F-1, Standard Floor Mount, T. Box LHS
Voltage	L1	L1	L1	Connected together	Material of terminal box	Cast Iron
----	----	----	----	----	Cable entry	2" NPT
----	T1	T2	T3	----		

Notes:

I_L/I_N = locked rotor current / current nominal
M_L/M_N = locked rotor torque / torque nominal
M_B/M_N = break down torque / nominal torque

3) Value is valid only for DOL operation with motor design IC411
2) at rated power / at full load

responsible dep. DI MC LVM	technical reference	created by DT Configurator	approved by	<i>Technical data are subject to change! There may be discrepancies between datasheet and customer's contract</i>			
	document type datasheet	document status released		customer			
	title 1LE2321-3AC11-3AA3	document number					
© Siemens AG 2022	rev. 01	creation date 2022-04-08 21:20	language en	Page 1/1			

刀絲管
 用特為
 文金
 理
 此

刀絲管
 用特為
 文金
 理
 此

刀絲管
 用特為
 文金
 理
 此

刀絲管
 用特為
 文金
 理
 此

刀絲管
 用特為
 文金
 理
 此

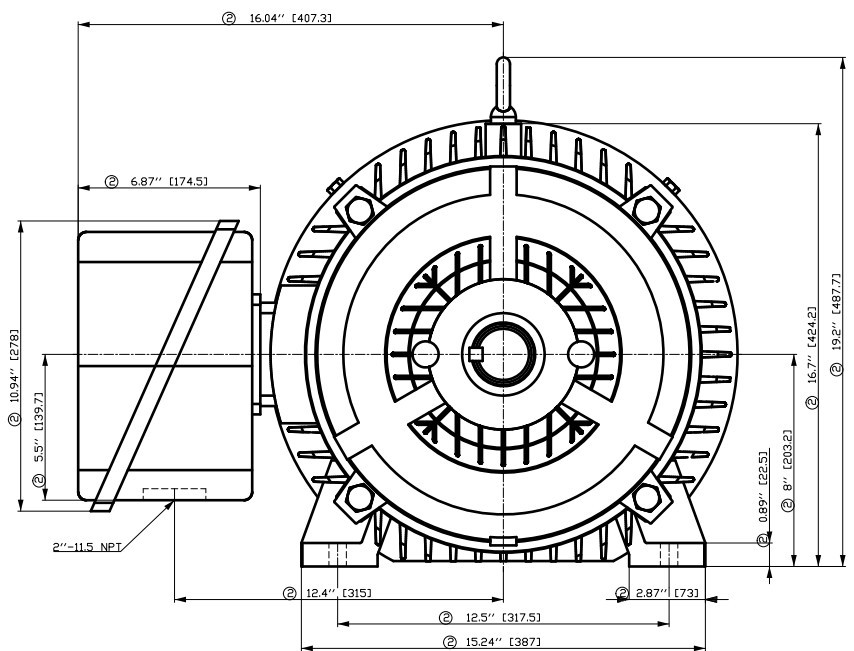
刀絲管
 用特為
 文金
 理
 此

刀絲管
 用特為
 文金
 理
 此

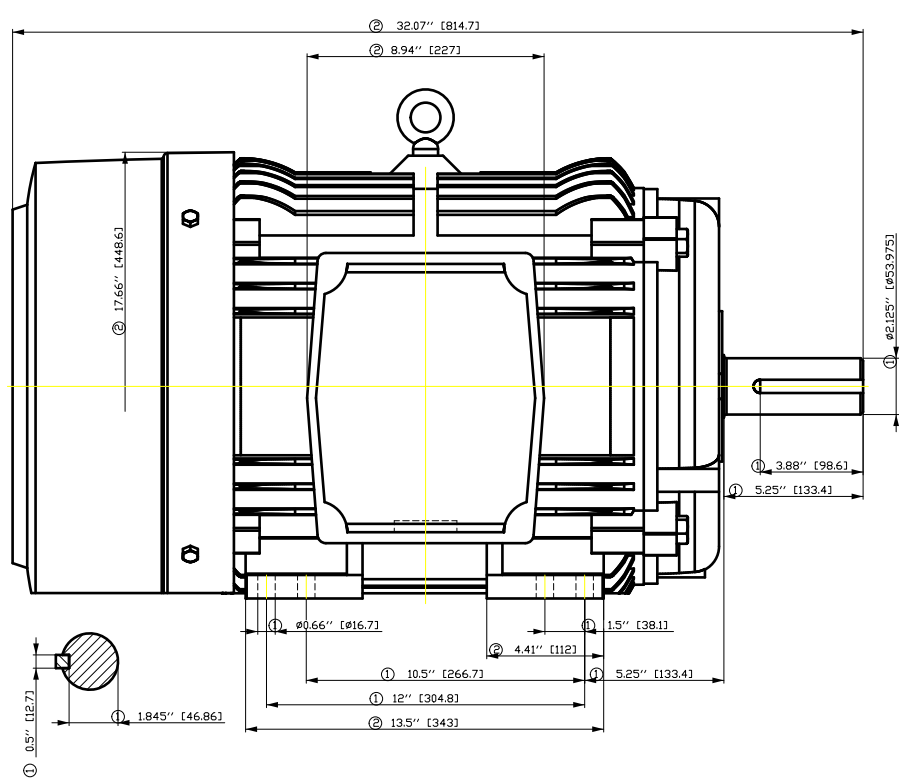
刀絲管
 用特為
 文金
 理
 此

刀絲管
 用特為
 文金
 理
 此

刀絲管
 用特為
 文金
 理
 此



- ① Tolerances according to NEMA std.
- ② All these dimensions corresponding to assemblies and castings shall have a tolerance as per DIN standard 1686-GTB 19.
- ③ Not according to NEMA std.



Tolerance	Surface	Material	Weight	Scale
F50G-GFB-COFF-ODEH	Author	ÖS	Ä	1:1
É	Creator	ÖVS	Ä	{ }
	Approval	T ä : ^ @ ~ } *		
	Department			
	Change Order	MLFB		
	Doc. State	I 0088		
	Revision	Index RS		
	Project No	É		
	Doc. No	É		
	Item No			
	Doc No			
	Ref No	É		
	Paper Size	CH		
	1st Language	Ä		
	2nd Language	ä		
	Sheet	F of F		

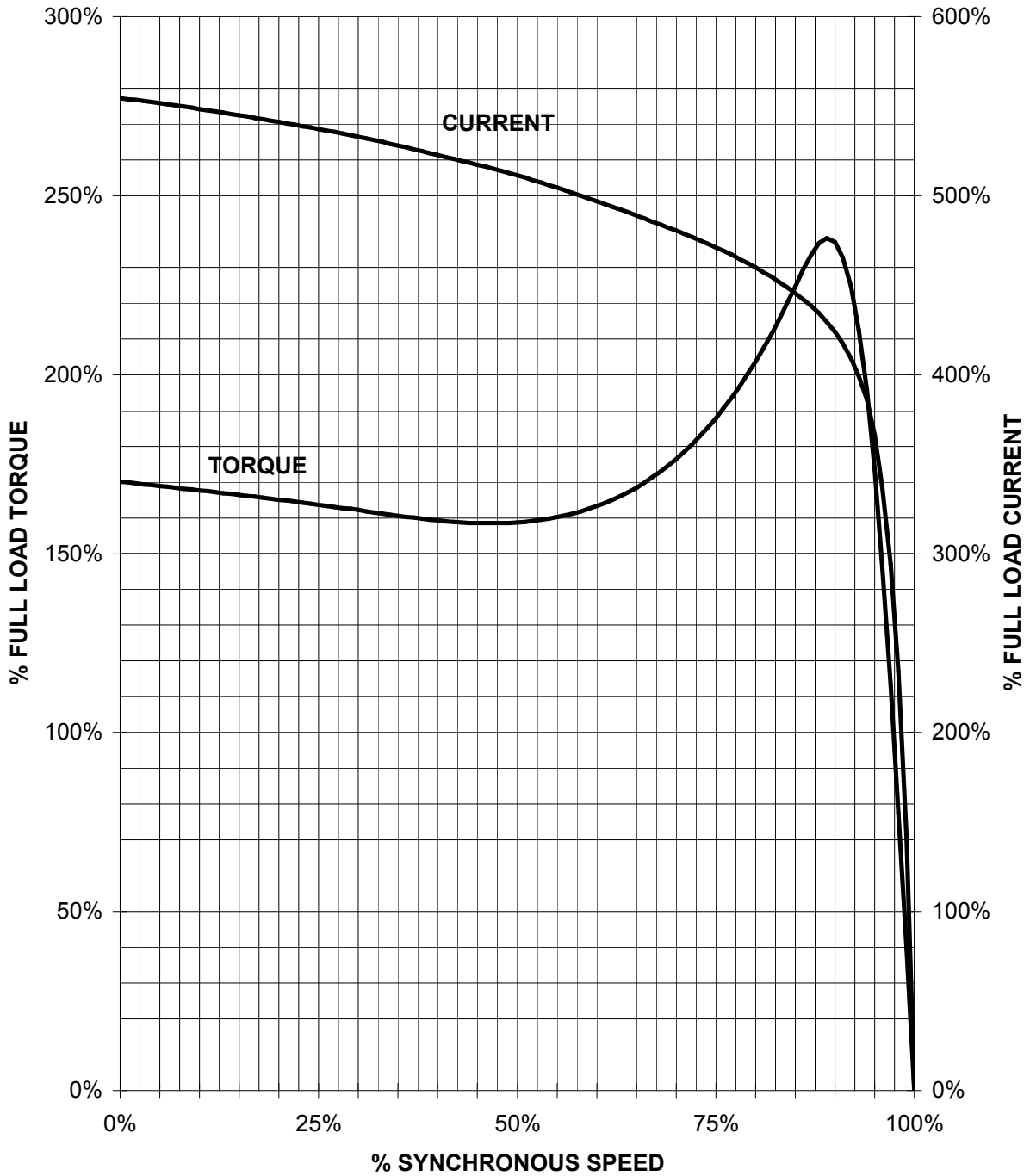


© Siemens AG 2018

SIEMENS INDUSTRY, INC.

HP 25 VOLTS < 600V RPM 1200 TYPE SD100
HZ 60 PHASE 3 FRAME 324T NEMA B

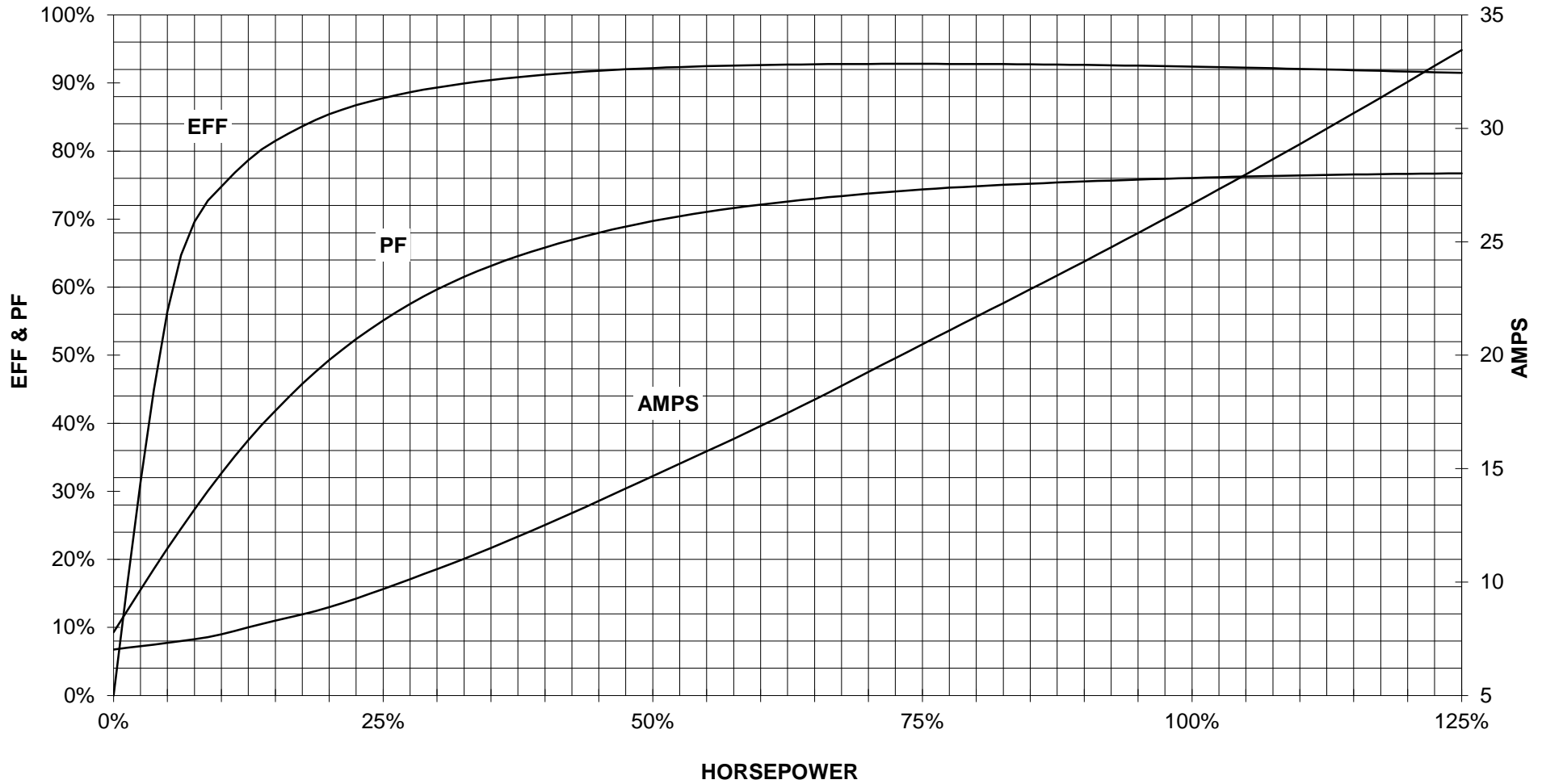
TORQUE & CURRENT VS. SPEED



CUSTOMER: _____ ORDER#: _____

25 HP 1200 RPM 324T FRAME 575 VOLTS 3 PHASE NEMA DESIGN B

SIEMENS INDUSTRY, INC.
PERFORMANCE CURVE
SD100



CUSTOMER _____ ORDER # _____ PO # _____


PERFORMANCE BASED ON DESIGN CALCULATIONS. SUBJECT TO CHANGE WITHOUT NOTICE.

REV. 1

Main terminal diagram



3 LEAD DELTA			
LINES			CONN.
L1	L2	L3	
T1	T2	T3	Δ

responsible dep. DI MC LVM	technical reference	created by	approved by	Project		
	document type Wiring Diagram		document status free		customer	
	title 1LE2321-3AC11-3AA3		document number			
© Siemens AG 2019			rev. 01	creation date 12/03/2019	language en	Page 1/1