

Data sheet for three-phase Squirrel-Cage-Motors SIMOTICS

Motor type: **SD100 IE3E** FS: **143T - 4p - 1 hp -**

Client order no.	Item-No.	Offer no.
Order no.	Consignment no.	Project
Remarks		

Electrical data

Class I Division 2 Gr. A, B, C or D, T3

U [V]	Δ/Y	f [Hz]	P [HP]	P [kW]	n [rpm]	I Load [Amps]					LRC	Nom. Eff Load [%]			Pwr. Factor Load [%]			Torque [lb-ft]	T _A /T _N LRT [%]	T _k /T _N BDT [%]
						4/4	3/4	1/2	0	4/4		3/4	2/4	4/4	3/4	2/4				
460	Y	60	1.00	0.75	1,800	1.40	1.20	1.00	0.80	13.0	85.5	85.4	83.4	78.2	71.5	58.4	3.0	300	383	
Frame Type: 143T		Type of constr.: (E) Foot mounted - C-Face				Ins. Cl.:Standard Class F Insulation		Motor Prot.:(A) Without Protection			NEMA Des.: B		S.F.: 1.15							
Mtr. WT:72						Temp. Rise Cl.: B		Amb. Temp.: + 40 to -20 °C @1000 m			kVA: M		IP 55							

Mechanical data

Sound level (SPL / SWL) at 60 Hz	50.0 dB(A) / 62.0 dB(A)		Thickener	Polyurea					
Octave Band Center Frequencies Hertz			Safe Stall Time Hot	18 s					
250	500	1000	2000	4000	8000	Hz	Safe Stall Time Cold	26 s	
SPL@3	37.0	40.0	49.0	45.0	37.0	31.0	dB(A)	Frame material	cast iron
Moment of inertia	0.2 Lb-ft ²		Color, paint shade	Standard Paint - RAL7030					
Ext Load Inertia Capability:	58.0 Lb ft ²		Coating (paint finish)	Standard Alkyed + Epoxy (C2)					
Bearings			Ventilation Type						
Bearing DE NDE	6205 Z C3 S0		6205 Z C3 S0						
Bearing_Type	Ball Bearing		Ball Bearing						
AFBMA:	25BC02JP30		25BC02JP30						
Grease			Method of cooling						
Capacity	0.1 oz		0.1 oz						
Grease Type:	Exxon Mobile EM		Direction of rotation						
			Bidirectional						
			Fan Material						
			Polypropylen ESD						
			VFD						
			CT: 20:1 VT: 20:1						
			Space heaters						
			without						
			Brake:						
			without						


Terminal box

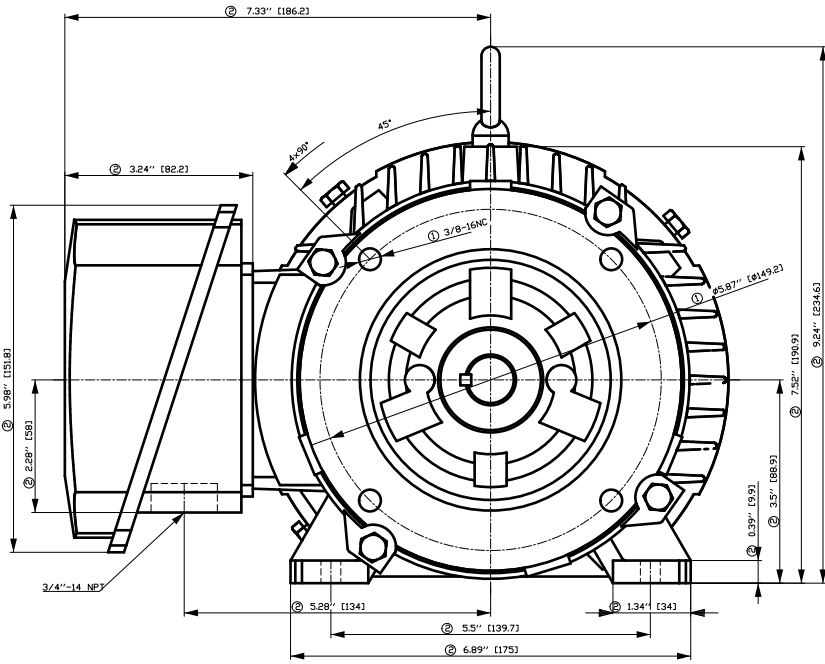
Lead Wire Connection		3 LEAD - WYE			Terminal box position	(3) F-1, Standard Floor Mount, T. Box LHS
Voltage	L1	L1	L1	Connected together	Material of terminal box	Cast Iron
----	----	----	----	----	Cable entry	.75" NPT
----	T1	T2	T3	----		

Notes:

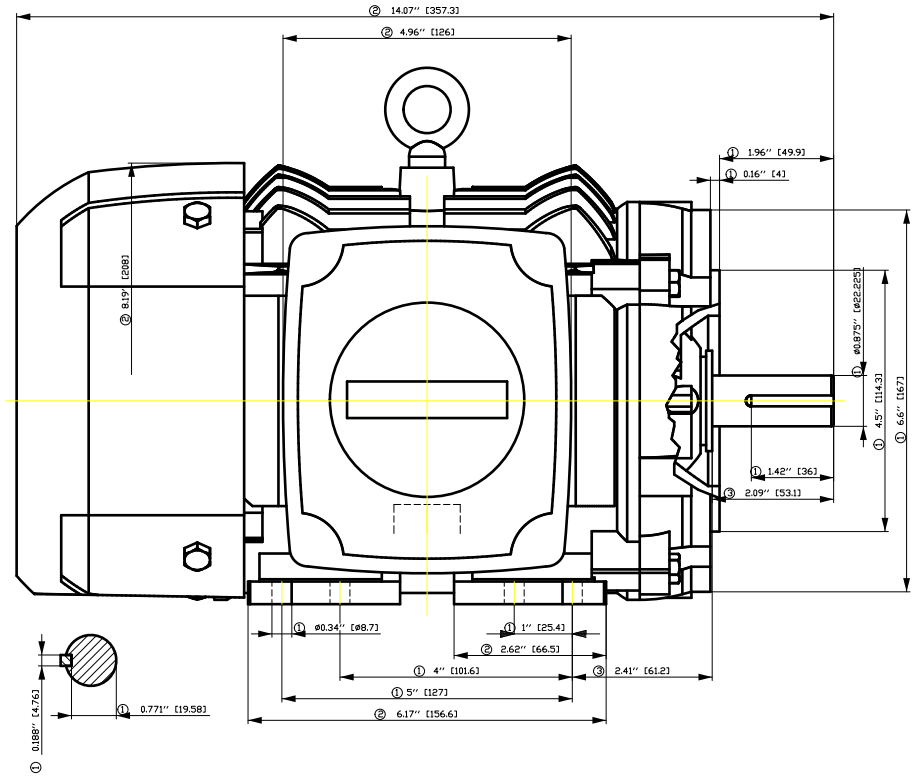
I_r/I_N = locked rotor current / current nominal
M_r/M_N = locked rotor torque / torque nominal
M_b/M_N = break down torque / nominal torque

3) Value is valid only for DOL operation with motor design IC411
2) at rated power / at full load

responsible dep. DI MC LVM	technical reference	created by DT Configurator	approved by	<i>Technical data are subject to change! There may be discrepancies between software and hardware versions</i>	
	document type datasheet	document status released		customer	
	title 1LE2421-1AB21-2EA3	document number			
© Siemens AG 2022	rev. 01	creation date 2022-04-08 03:53	language en	Page 1/1	



- ① Tolerances according to NEMA std.
- ② All these dimensions corresponding to assemblies and castings shall have a tolerance as per DIN standard 1686-GTB 19.
- ③ Not according to NEMA std.

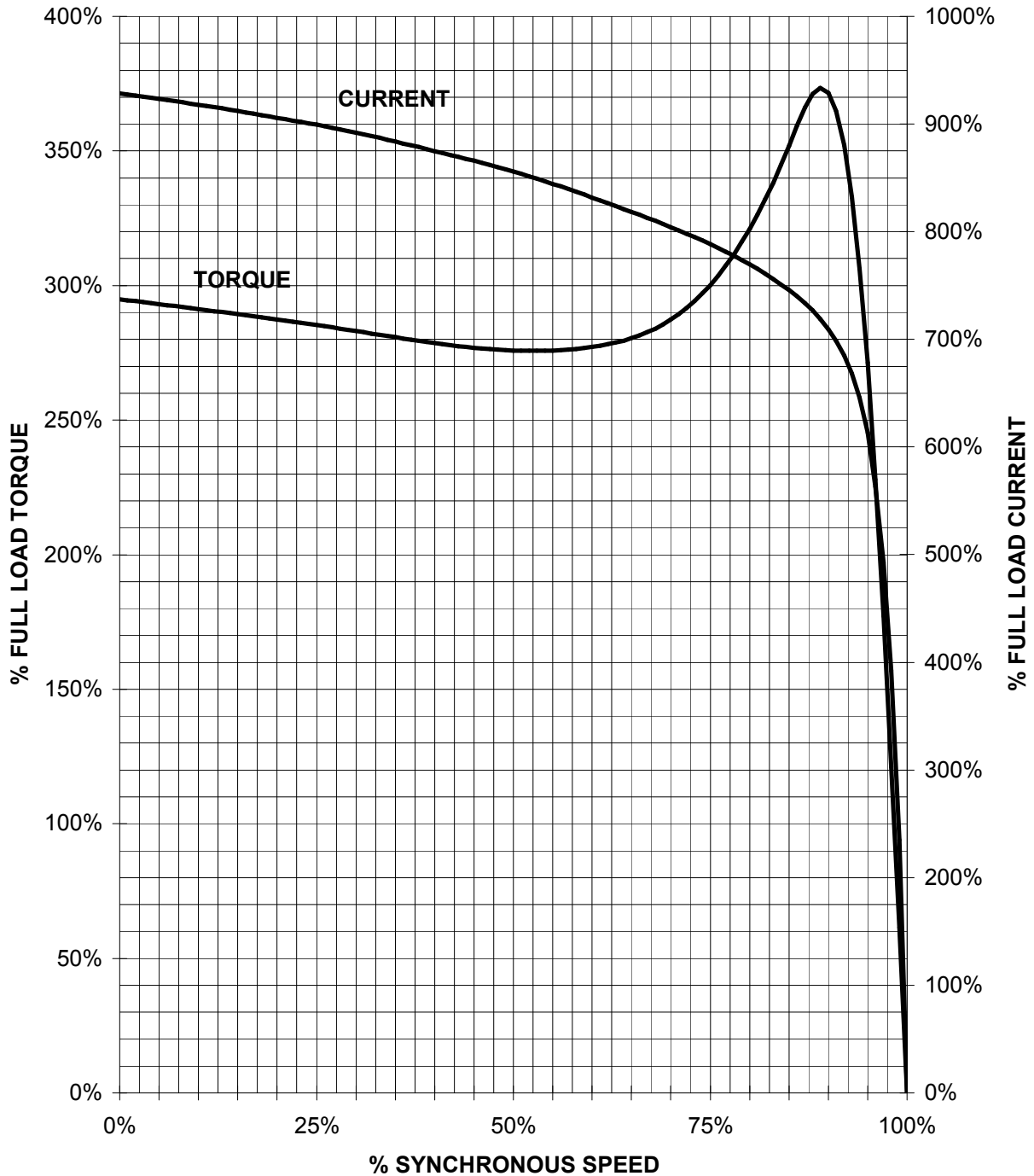


Tolerance	Surface	Material	Weight	Scale
F50G GF-F00GF500EH	Author	ÖS	ÖS	1:1
E	Creator	ÖS		
	Approval	T: ^@~}		
	Department			
	Change Order	MFB		
	Doc. State	I 00G	Doc Type	
SIEMENS	Revision	Index RS	Item No	Paper Size CH
© Siemens AG 2018	Project No	E	Doc No	1st Language ^}
			Ref No	2nd Language a^
				Sheet F of F

SIEMENS INDUSTRY, INC.

HP 1 VOLTS < 600V RPM 1800 TYPE SD100 IEEE841
HZ 60 PHASE 3 FRAME 143T NEMA B

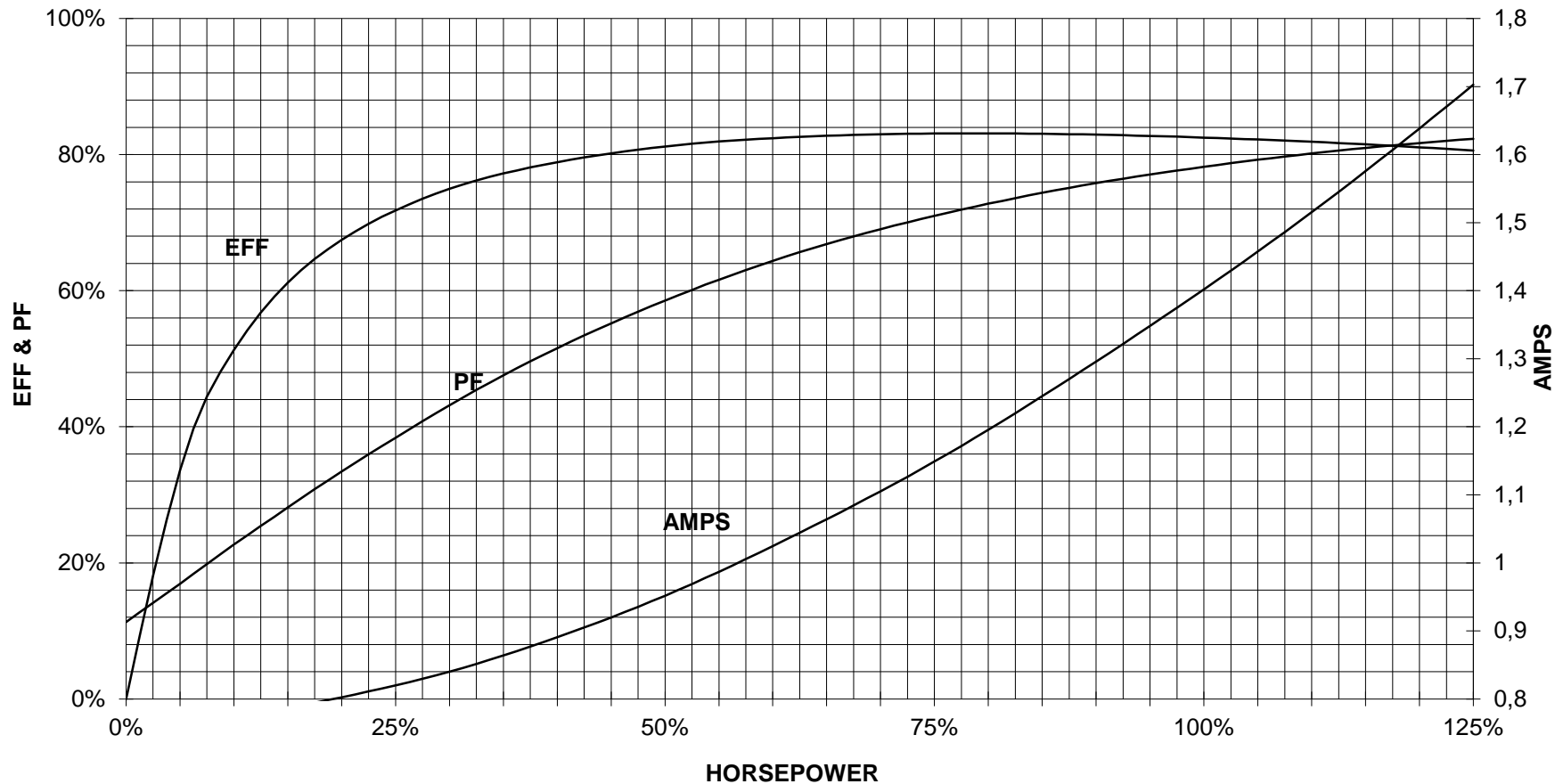
TORQUE & CURRENT VS. SPEED



CUSTOMER: _____ ORDER#: _____

1 HP 1800 RPM 143T FRAME 460 VOLTS 3 PHASE NEMA DESIGN B

SIEMENS INDUSTRY, INC.
PERFORMANCE CURVE
SD100 IEEE841



CUSTOMER _____ ORDER # _____ PO # _____

PERFORMANCE BASED ON DESIGN CALCULATIONS. SUBJECT TO CHANGE WITHOUT NOTICE.

REV. 1

Main terminal diagram



3 LEAD WYE			
LINES			CONN.
L1	L2	L3	
T1	T2	T3	Y

responsible dep.
DI MC LVM

technical reference

created by

approved by

Project

SIEMENS

document type
Wiring Diagram

title
1LE2421-1AB21-2EA3

document status
free

document number

customer