

Data sheet for three-phase Squirrel-Cage-Motors SIMOTICS

Motor type: SD100 IEEE FS: 215T - 2p - 10 hp -

Client order no.	Item-No.	Offer no.
Order no.	Consignment no.	Project
Remarks		

Electrical data

Class I Division 2 Gr. A, B, C or D, T3

U [V]	Δ/Y	f [Hz]	P [HP]	P [kW]	n [rpm]	I Load [Amps]					LRC	Nom. Eff Load [%]			Pwr. Factor Load [%]			Torque [lb-ft]	T _A /T _N LRT [%]	T _k /T _N BDT [%]
						4/4	3/4	1/2	0	4/4		3/4	2/4	4/4	3/4	2/4				
460	Y	60	10.00	7.50	3,600	11.50	8.70	6.30	3.50	81.0	90.2	91.1	91.0	90.3	88.8	81.5	15.0	180	440	
Frame Type: 215T		Type of constr.: (A) Foot mounted - End shield				Ins. Cl.: Standard Class F Insulation		Motor Prot.: (A) Without Protection			NEMA Des.: B		S.F.: 1.15							
Mtr. WT: 218						Temp. Rise Cl.: B		Amb. Temp.: + 40 to -20 °C @1000 m			kVA: H		IP 55							

Mechanical data

Sound level (SPL / SWL) at 60 Hz	66.0 dB(A) / 78.0 dB(A)		Thickener	Polyurea					
Octave Band Center Frequencies Hertz			Safe Stall Time Hot	14 s					
	250	500	1000	2000	4000	8000	Hz	Safe Stall Time Cold	28 s
SPL@3	53.0	55.0	63.0	62.0	58.0	47.0	dB(A)	Frame material	cast iron
Moment of inertia	0.5 Lb-ft ²		Color, paint shade	Standard Paint - RAL7030					
Ext Load Inertia Capability:	11.0 Lb ft ²		Coating (paint finish)	Standard Alkyed + Epoxy (C2)					
Bearings			Ventilation Type						
Bearing DE NDE	6208 Z C3 S0		6208 Z C3 S0	Method of cooling	TEFC				
Bearing_Type	Ball Bearing		Ball Bearing	Direction of rotation	Bidirectional				
AFBMA:	40BC02JP30		40BC02JP30	Fan Material	Polypropylen ESD				
Grease			VFD	CT: 4:1 VT: 20:1					
Capacity	0.3 oz		0.3 oz	Space heaters	without				
Grease Type:	Exxon Mobile EM		Brake:	without					


Terminal box

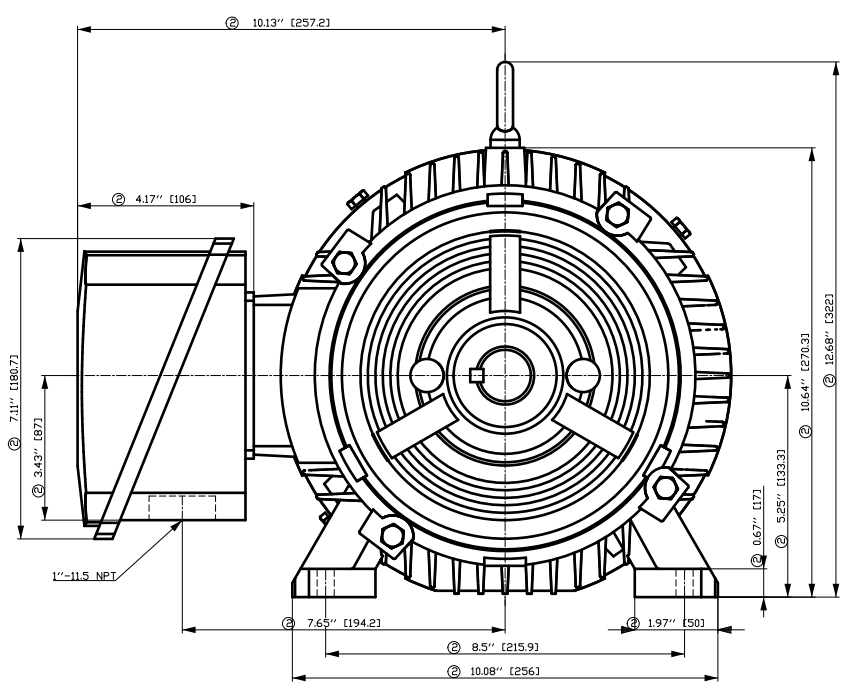
Lead Wire Connection	3 LEAD - WYE				Terminal box position	(3) F-1, Standard Floor Mount, T. Box LHS
Voltage	L1	L1	L1	Connected together	Material of terminal box	Cast Iron
----	----	----	----	----	Cable entry	1" NPT
----	T1	T2	T3	----		

Notes:

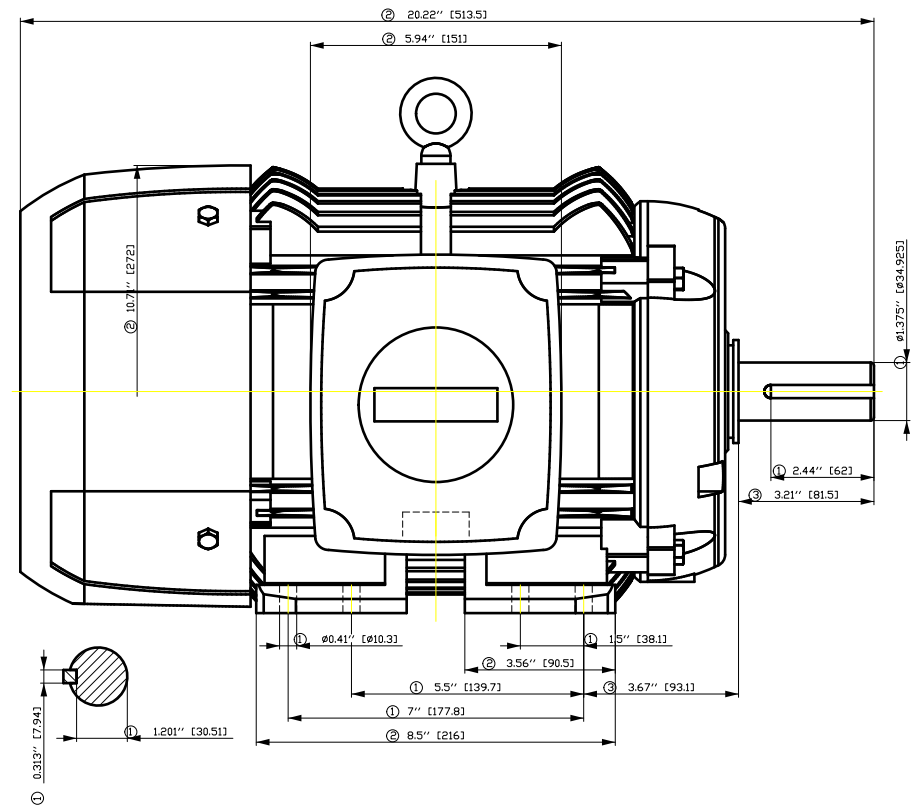
I_L/I_N = locked rotor current / current nominal
M_L/M_N = locked rotor torque / torque nominal
M_B/M_N = break down torque / nominal torque

3) Value is valid only for DOL operation with motor design IC411
2) at rated power / at full load

responsible dep. DI MC LVM	technical reference	created by DT Configurator	approved by	<i>Technical data are subject to change! There may be discrepancies between software and hardware versions</i>	
	document type datasheet	document status released	customer		
	title 1LE2421-2AA21-2AA3	document number			
© Siemens AG 2022	rev. 01	creation date 2022-04-08 18:37	language en	Page 1/1	



- ① Tolerances according to NEMA std.
- ② All these dimensions corresponding to assemblies and castings shall have a tolerance as per DIN standard 1686-GTB 19.
- ③ Not according to NEMA std.



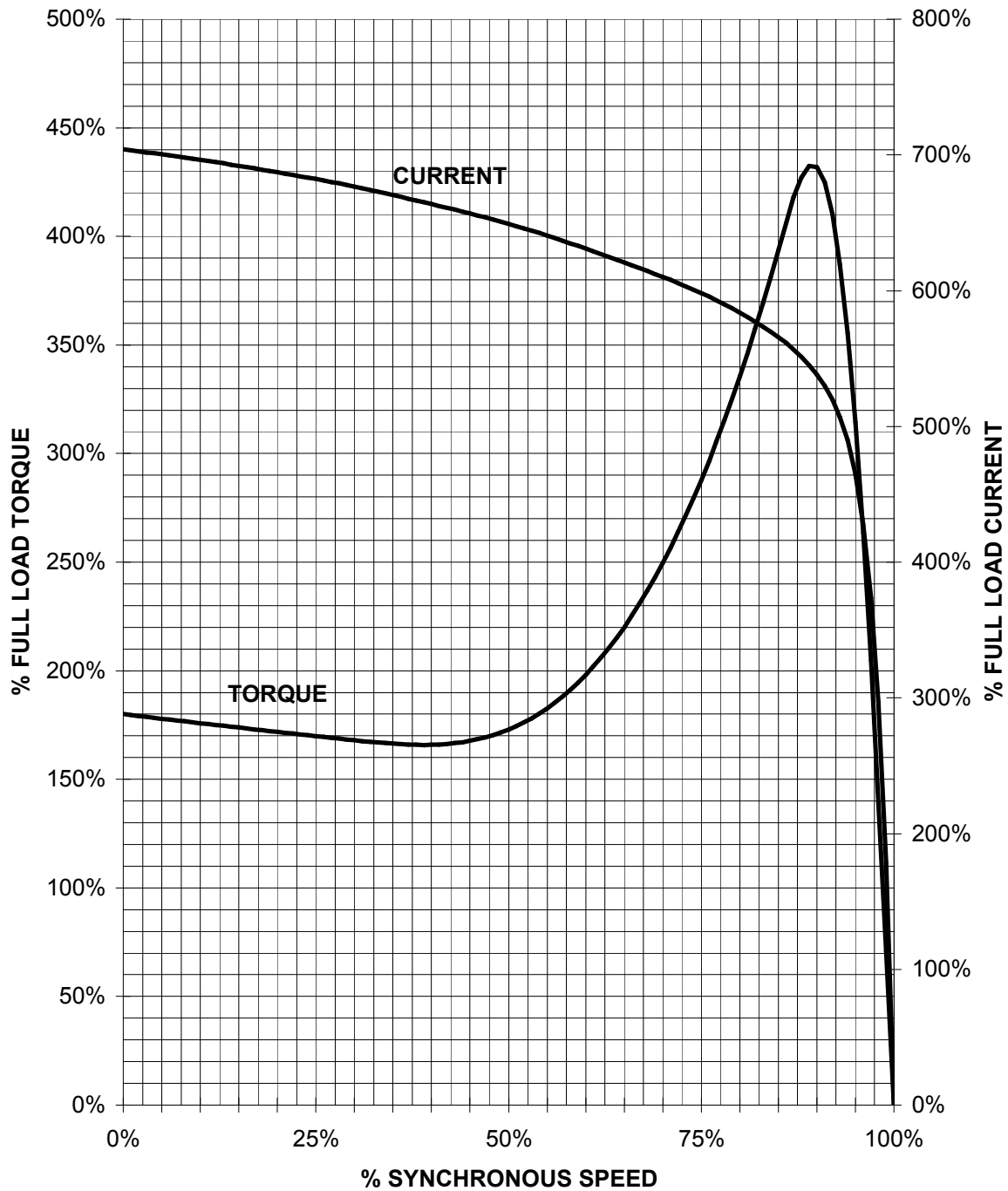
Tolerance	Surface	Material	Weight	Scale
F50G GF00GF00EH	Author	ÖVS	É	{ {
É	Creator	T æ : ^æ@ } *		
	Approval			
	Department			
	Change Order	MLFB		Doc Type
	Doc. State	I ð BGG		Paper Size CH
	Revision	Index RS		1st Language ^
				2nd Language â^
© Siemens AG 2018	Project No	É	Ref No	É
				Sheet F of F

刀絲管
 用特為
 所文全
 此圖
 均經
 核准
 出
 版
 凡
 有
 修
 改
 必
 須
 經
 總
 工
 程
 師
 批
 准
 方
 可
 施
 工
 此
 圖
 為
 機
 械
 圖
 紙
 之
 一
 種
 其
 符
 號
 與
 註
 釋
 均
 按
 國
 家
 標
 準
 執
 行
 凡
 有
 修
 改
 必
 須
 經
 總
 工
 程
 師
 批
 准
 方
 可
 施
 工
 此
 圖
 為
 機
 械
 圖
 紙
 之
 一
 種
 其
 符
 號
 與
 註
 釋
 均
 按
 國
 家
 標
 準
 執
 行

SIEMENS INDUSTRY, INC.

HP 10 VOLTS < 600V RPM 3600 TYPE SD100 IEEE841
HZ 60 PHASE 3 FRAME 215T NEMA B

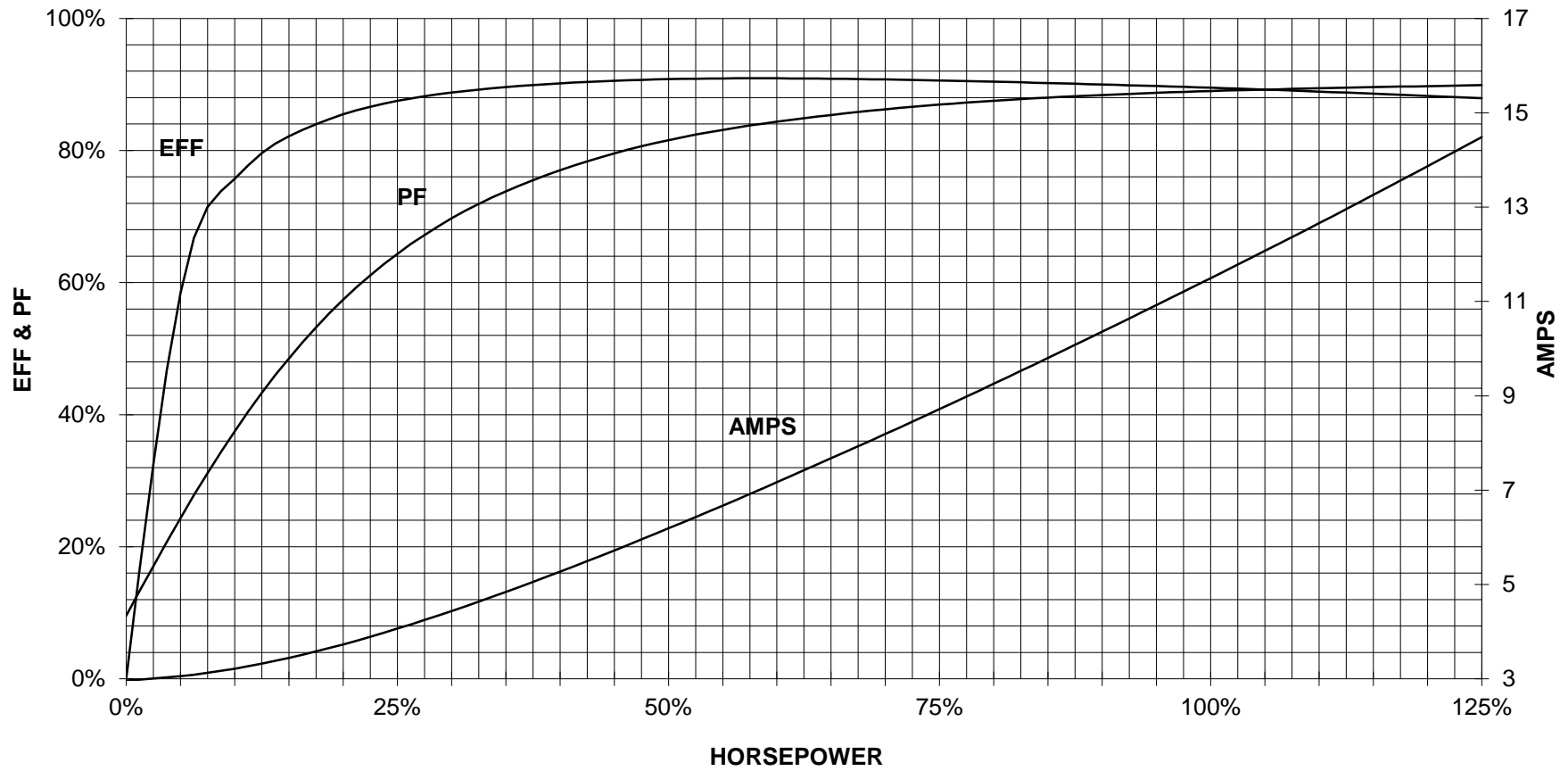
TORQUE & CURRENT VS. SPEED



CUSTOMER: _____ ORDER#: _____

10 HP 3600 RPM 215T FRAME 460 VOLTS 3 PHASE NEMA DESIGN B

SIEMENS INDUSTRY, INC.
PERFORMANCE CURVE
SD100 IEEE841

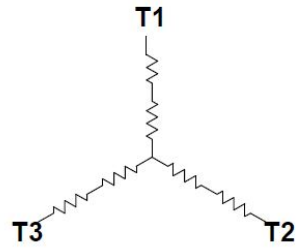


CUSTOMER _____ ORDER # _____ PO # _____

PERFORMANCE BASED ON DESIGN CALCULATIONS. SUBJECT TO CHANGE WITHOUT NOTICE.

REV. 1

Main terminal diagram



3 LEAD WYE			
LINES			CONN.
L1	L2	L3	
T1	T2	T3	

responsible dep. DI MC LVM	technical reference	created by	approved by	Project
SIEMENS	document type Wiring Diagram	document status free		customer
	title 1LE2421-2AA21-2AA3	document number		
© Siemens AG 2019		rev. 01	creation date 12/03/2019	language en
				Page 1/1