

# Data sheet for three-phase Squirrel-Cage-Motors SIMOTICS

**Motor type:** SD100 IE3E **FS: 215T - 2p - 10 hp -**

Client order no.	Item-No.	Offer no.
Order no.	Consignment no.	Project
Remarks		

## Electrical data

**Class I Division 2 Gr. A, B, C or D, T3**

U [V]	$\Delta/Y$	f [Hz]	P [HP]	P [kW]	n [rpm]	I Load [Amps]					LRC	Nom. Eff Load [%]			Pwr. Factor Load [%]			Torque [lb-ft]	T <sub>A</sub> /T <sub>N</sub> LRT [%]	T <sub>k</sub> /T <sub>N</sub> BDT [%]
						4/4	3/4	1/2	0	4/4		3/4	2/4	4/4	3/4	2/4				
460	Y	60	10.00	7.50	3,600	11.50	8.70	6.30	3.50	81.0	90.2	91.1	91.0	90.3	88.8	81.5	15.0	180	440	

Frame Type: 215T	Type of constr.: ( E ) Foot mounted - C-Face	Ins. Cl.:Standard Class F Insulation	Motor Prot.:(A) Without Protection	NEMA Des.: B	S.F.: 1.15
Mtr. WT:218		Temp. Rise Cl.: B	Amb. Temp.: + 40 to -20 °C @1000 m	kVA: H	IP 55

## Mechanical data

Sound level (SPL / SWL) at 60 Hz	66.0 dB(A) / 78.0 dB(A)	Thickener	Polyurea
Octave Band Center Frequencies Hertz		Safe Stall Time Hot	14 s
250	500	500	1000
2000	4000	8000	Hz
SPL@3	53.0	55.0	63.0
	62.0	58.0	47.0
			dB(A)
Moment of inertia	0.5 Lb-ft <sup>2</sup>	Color, paint shade	Standard Paint - RAL7030
Ext Load Inertia Capability:	11.0 Lb ft <sup>2</sup>	Coating (paint finish)	Standard Alkyed + Epoxy (C2)
<b>Bearings</b>		<b>Ventilation Type</b>	
Bearing DE   NDE	6208 Z C3 S0	6208 Z C3 S0	Method of cooling
Bearing_Type	Ball Bearing	Ball Bearing	TEFC
AFBMA:	40BC02JP30	40BC02JP30	Direction of rotation
<b>Grease</b>			Bidirectional
Capacity	0.3 oz	0.3 oz	Fan Material
Grease Type:	Exxon Mobile EM	VFD	Polypropylen ESD
		Space heaters	CT: 4:1 VT: 20:1
		Brake:	without
			without


## Terminal box

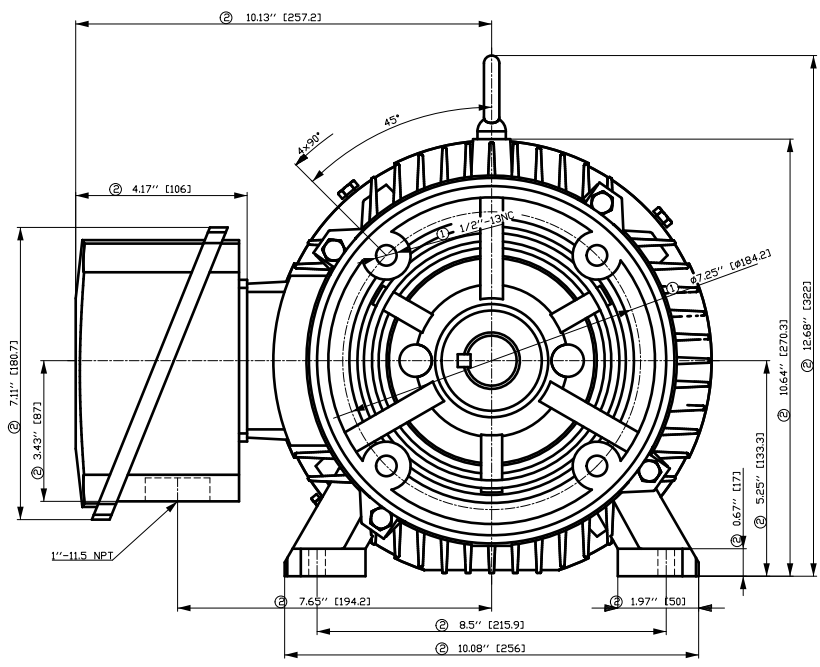
Lead Wire Connection	3 LEAD - WYE	Terminal box position	(3) F-1, Standard Floor Mount, T. Box LHS
Voltage	L1 L1 L1	Material of terminal box	Cast Iron
---	---	Cable entry	1" NPT
---	T1 T2 T3		
---	---		

### Notes:

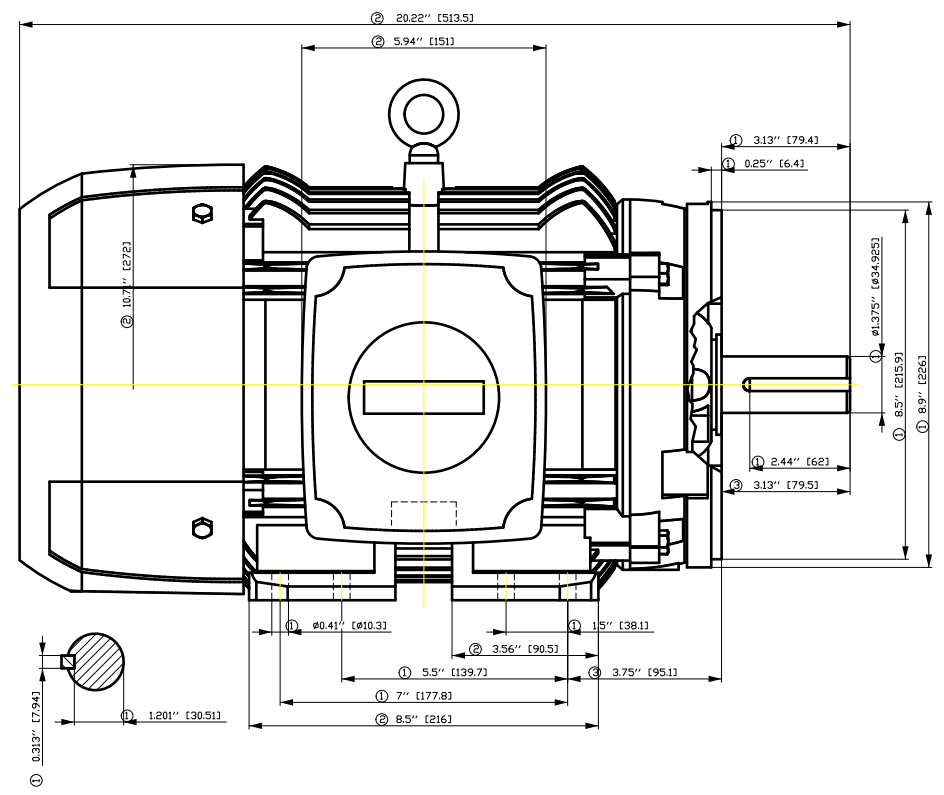
I<sub>r</sub>/I<sub>N</sub> = locked rotor current / current nominal  
M<sub>r</sub>/M<sub>N</sub> = locked rotor torque / torque nominal  
M<sub>b</sub>/M<sub>N</sub> = break down torque / nominal torque

3) Value is valid only for DOL operation with motor design IC411  
2) at rated power / at full load

responsible dep. DI MC LVM	technical reference	created by DT Configurator	approved by	<i>Technical data are subject to change! There may be discrepancies between software and hardware versions</i>	
	document type datasheet	document status released	customer		
	title 1LE2421-2AA21-2EA3	document number			
© Siemens AG 2022		rev. 01	creation date 2022-04-08 18:37	language en	Page 1/1



- ① Tolerances according to NEMA std.
- ② All these dimensions corresponding to assemblies and castings shall have a tolerance as per DIN standard 1686-GTB 19.
- ③ Not according to NEMA std.



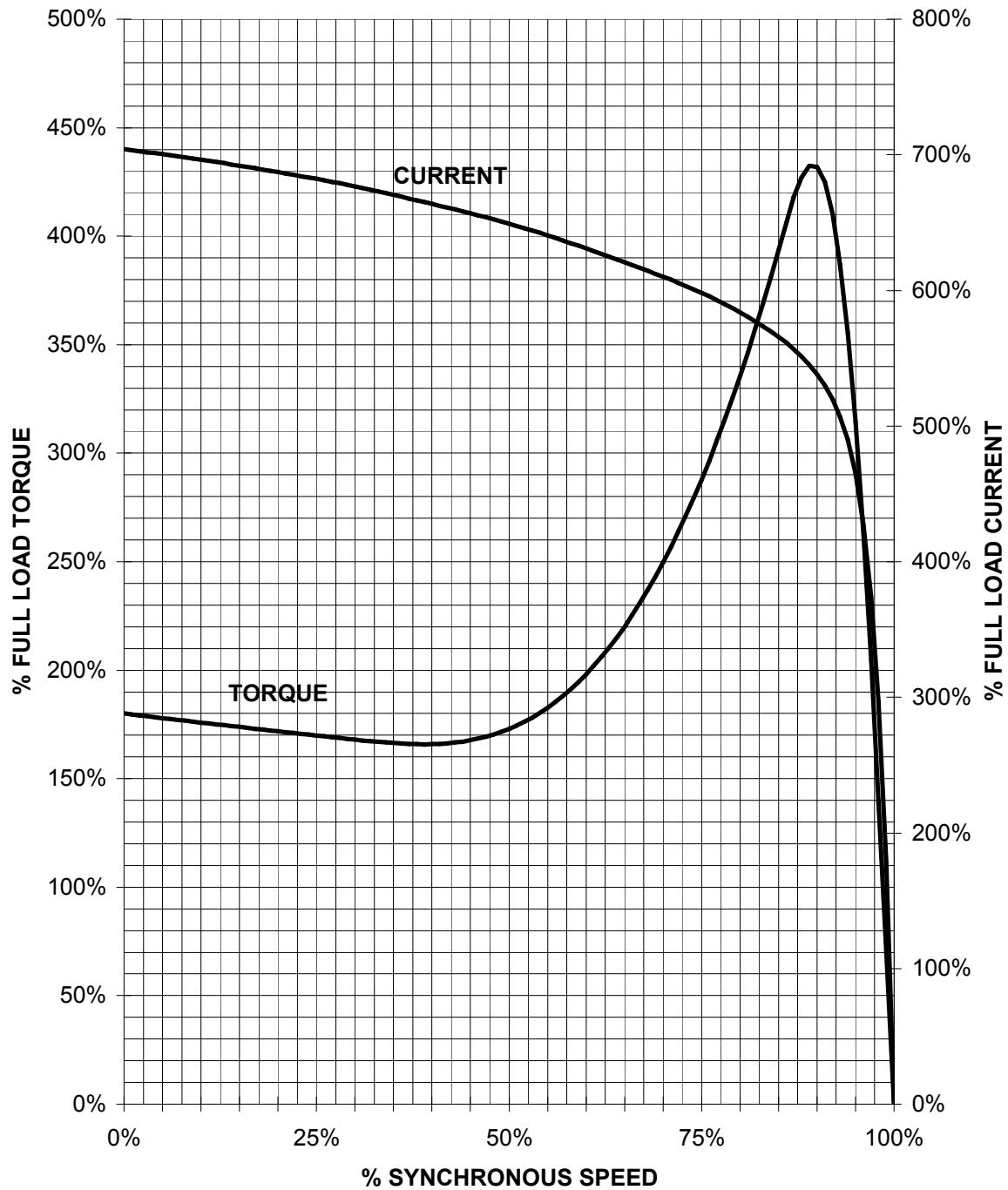
Tolerance	Surface	Material	Weight	Scale
F50G GF00G F50CH E	Author Creator Approval Department Change Order	ÖVS T aè : ^æ@` } * MLFB	E	{ { } { { }
<b>SIEMENS</b> © Siemens AG 2018	Doc. State Revision	I ð BGG Index RS	Item No Doc No	Paper Size 1st Language 2nd Language
	Project No	E	Ref No	E
			Doc Type	Sheet
				F of F

刀痕等用转文全图...  
 刀痕等用转文全图...  
 刀痕等用转文全图...

# SIEMENS INDUSTRY, INC.

HP 10 VOLTS < 600V RPM 3600 TYPE SD100 IEEE841  
HZ 60 PHASE 3 FRAME 215T NEMA B

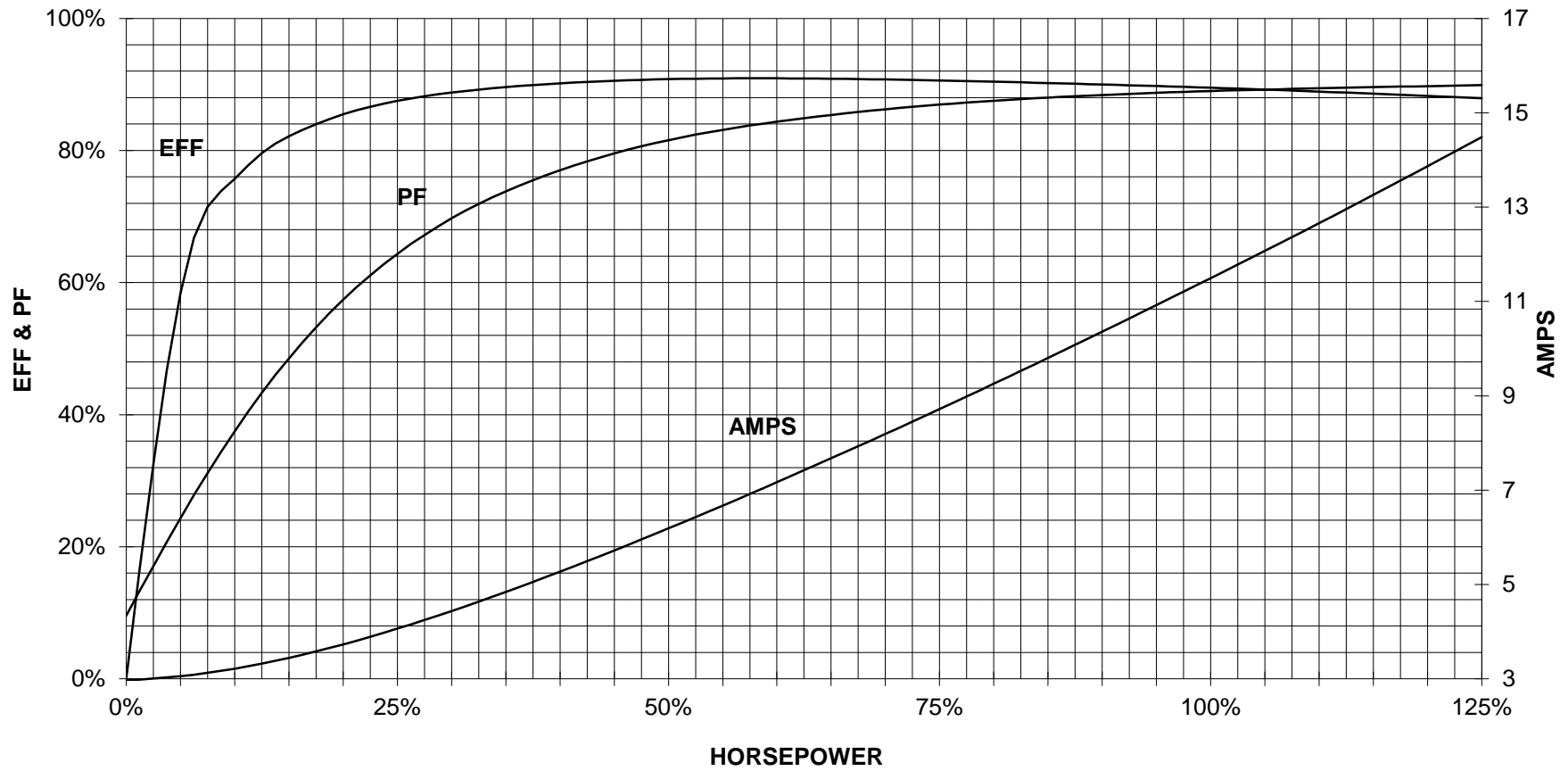
## TORQUE & CURRENT VS. SPEED



CUSTOMER: \_\_\_\_\_ ORDER#: \_\_\_\_\_

10 HP 3600 RPM 215T FRAME 460 VOLTS 3 PHASE NEMA DESIGN B

**SIEMENS INDUSTRY, INC.**  
**PERFORMANCE CURVE**  
**SD100 IEEE841**

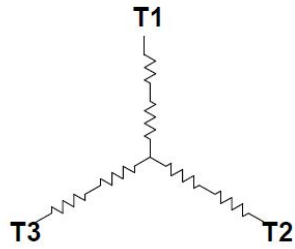


CUSTOMER \_\_\_\_\_ ORDER # \_\_\_\_\_ PO # \_\_\_\_\_


PERFORMANCE BASED ON DESIGN CALCULATIONS. SUBJECT TO CHANGE WITHOUT NOTICE.

REV. 1

Main terminal diagram



3 LEAD WYE			
LINES			CONN.
L1	L2	L3	
T1	T2	T3	Y

responsible dep. DI MC LVM	technical reference	created by	approved by	Project		
	document type Wiring Diagram		document status free		customer	
	title 1LE2421-2AA21-2EA3		document number			
© Siemens AG 2019			rev. 01	creation date 12/03/2019	language en	Page 1/1