

Data sheet for three-phase Squirrel-Cage-Motors SIMOTICS

Motor type: **SD100 IEEE** FS: **365T - 6p - 50 hp -**

Client order no.	Item-No.	Offer no.
Order no.	Consignment no.	Project
Remarks		

Electrical data

Class I Division 2 Gr. A, B, C or D, T3

U [V]	Δ / Y	f [Hz]	P [HP]	P [kW]	n [rpm]	I Load [Amps]					LRC	Nom. Eff Load [%]			Pwr. Factor Load [%]			Torque [lb-ft]	T _A /T _N LRT [%]	T _k /T _N BDT [%]
						4/4	3/4	1/2	0	4/4		3/4	2/4	4/4	3/4	2/4				
575	Δ	60	50.00	37.00	1,200	49.60	39.20	29.70	19.20	290.4	94.1	94.3	94.0	80.0	76.0	67.0	222.0	190	220	
Frame Type: 365T		Type of constr.: (A) Foot mounted - End shield				Ins. Cl.: Standard Class F Insulation		Motor Prot.: (A) Without Protection			NEMA Des.: B		S.F.: 1.15							
Mtr. WT: 898						Temp. Rise Cl.: B		Amb. Temp.: + 40 to -20 °C @1000 m			kVA: G		IP 55							

Mechanical data

Sound level (SPL / SWL) at 60 Hz	60.0 dB(A) / 71.0 dB(A)	Thickener	Polyurea
Octave Band Center Frequencies Hertz		Safe Stall Time Hot	29 s
250	500	500	1000
2000	4000	8000	Hz
SPL@3	48.0	53.0	54.0
	53.0	52.0	50.0
			dB(A)
Moment of inertia	16.2 Lb-ft ²	Color, paint shade	Standard Paint - RAL7030
Ext Load Inertia Capability:	620.0 Lb ft ²	Coating (paint finish)	Standard Alkyed + Epoxy (C2)
Bearings		Ventilation Type	
Bearing DE NDE	6314 Z C3 S0	6314 Z C3 S0	Method of cooling
Bearing_Type	Ball Bearing	Ball Bearing	TEFC
AFBMA:	70BC03JP30	70BC03JP30	Direction of rotation
Grease			Bidirectional
Capacity	7.5 oz	7.5 oz	Fan Material
Grease Type:	Exxon Mobile EM		Polypropylen ESD
			VFD
			CT: 4:1 VT: 20:1
			Space heaters
			without
			Brake:
			without


Terminal box

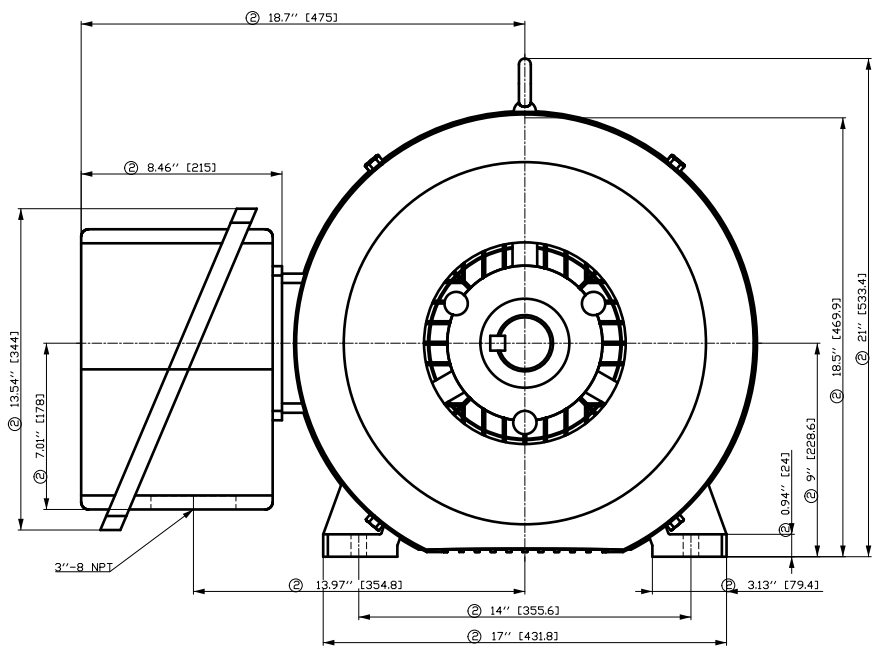
Lead Wire Connection	3 LEAD - DELTA	Terminal box position	(3) F-1, Standard Floor Mount, T. Box LHS
Voltage	L1 L1 L1 Connected together	Material of terminal box	Cast Iron
----	----	Cable entry	3" NPT
----	T1 T2 T3 ----		

Notes:

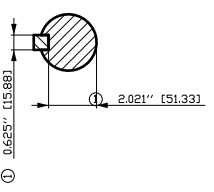
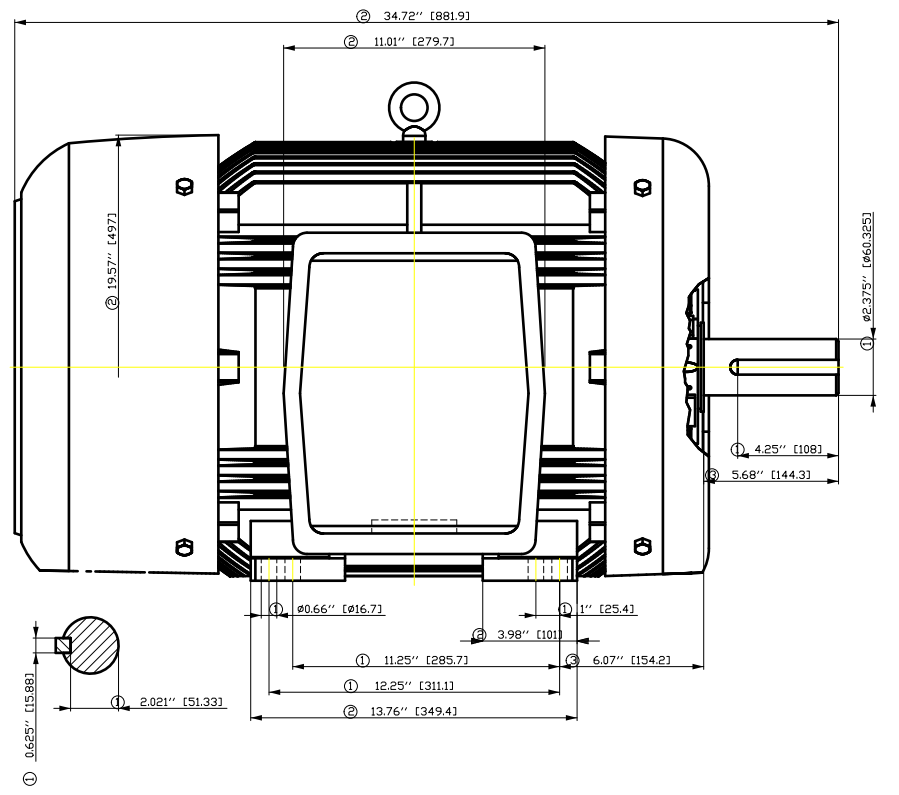
I_L/I_N = locked rotor current / current nominal
M_L/M_N = locked rotor torque / torque nominal
M_B/M_N = break down torque / nominal torque

3) Value is valid only for DOL operation with motor design IC411
2) at rated power / at full load

responsible dep. DI MC LVM	technical reference	created by DT Configurator	approved by	<i>Technical data are subject to change! There may be discrepancies between software and hardware versions</i>	
	document type datasheet	document status released	customer		
	title 1LE2421-3CC21-3AA3	document number			
© Siemens AG 2022		rev. 01	creation date 2022-04-08 22:10	language en	Page 1/1



- ① Tolerances according to NEMA std.
- ② All these dimensions corresponding to assemblies and castings shall have a tolerance as per DIN standard 1686-GTB 19.
- ③ Not according to NEMA std.

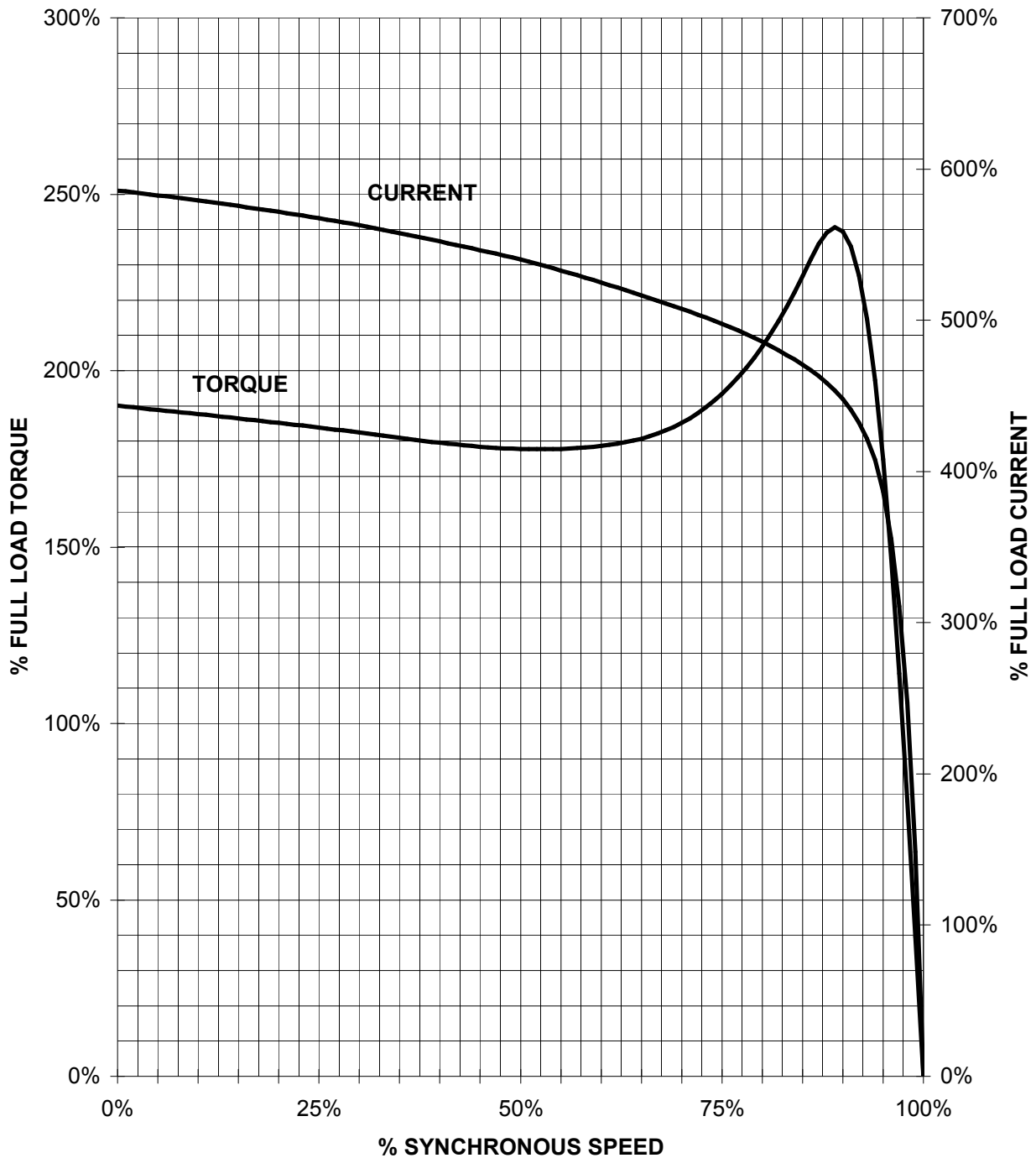


Tolerance	Surface	Material	Weight	Scale
F50G GF-H00GF-H0EH	Author	ÖV T a : ^ & @ } *	E	
E	Creator			
	Approval			
	Department			
	Change Order	MFB	Doc Type	/
SIEMENS	Doc. State	I 0 BGG	Item No	Paper Size
	Revision	Index RS	Doc No	1st Language
				2nd Language
© Siemens AG 2018	Project No	E	Ref No	E
			Sheet	F of F

SIEMENS INDUSTRY, INC.

HP 50 VOLTS < 600V RPM 1200 TYPE SD100 IEEE841
HZ 60 PHASE 3 FRAME 365T NEMA B

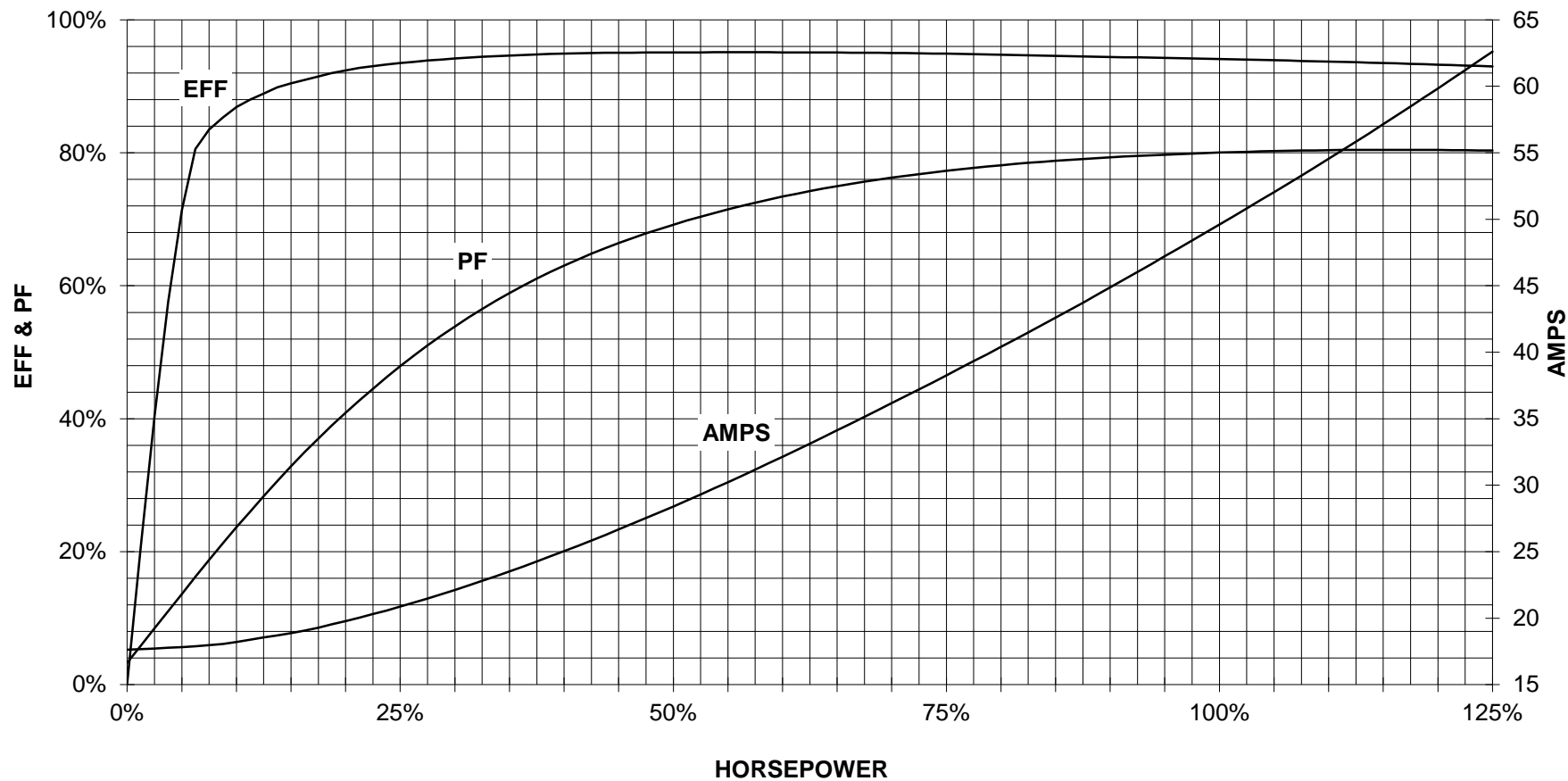
TORQUE & CURRENT VS. SPEED



CUSTOMER: _____ ORDER#: _____

50 HP 1200 RPM 365T FRAME 575 VOLTS 3 PHASE NEMA DESIGN B

SIEMENS INDUSTRY, INC.
PERFORMANCE CURVE
SD100 IEEE841



CUSTOMER _____ ORDER # _____ PO # _____


PERFORMANCE BASED ON DESIGN CALCULATIONS. SUBJECT TO CHANGE WITHOUT NOTICE.

REV. 1

Main terminal diagram



3 LEAD DELTA			
LINES			CONN.
L1	L2	L3	
T1	T2	T3	Δ

responsible dep. DI MC LVM	technical reference	created by	approved by	Project		
	document type Wiring Diagram		document status free		customer	
	title 1LE2421-3CC21-3AA3		document number			
© Siemens AG 2019			rev. 01	creation date 12/03/2019	language en	Page 1/1