

Data sheet for three-phase Squirrel-Cage-Motors SIMOTICS

Motor type: SD100 IEEE **FS: 405TS - 4p - 100 hp -**

Client order no.	Item-No.	Offer no.
Order no.	Consignment no.	Project
Remarks		

Electrical data

Class I Division 2 Gr. A, B, C or D, T3

U [V]	Δ / Y	f [Hz]	P [HP]	P [kW]	n [rpm]	I Load [Amps]					LRC	Nom. Eff Load [%]			Pwr. Factor Load [%]			Torque [lb-ft]	T _A /T _N LRT [%]	T _k /T _N BDT [%]
						4/4	3/4	1/2	0			4/4	3/4	2/4	4/4	3/4	2/4			
575	Δ	60	100.00	75.00	1,800	90.40	68.00	48.90	24.00	580.0	95.4	96.0	95.8	87.0	86.0	80.0	295.0	180	200	
Frame Type: 405TS		Type of constr.: (A) Foot mounted - End shield				Ins. Cl.:Standard Class F Insulation		Motor Prot.:(A) Without Protection			NEMA Des.: B		S.F.: 1.15							
Mtr. WT:1,154						Temp. Rise Cl.: B		Amb. Temp.: + 40 to -20 °C @1000 m			kVA: G		IP 55							

Mechanical data

Sound level (SPL / SWL) at 60 Hz	67.0 dB(A) / 79.0 dB(A)							Thickener	Polyurea
Octave Band Center Frequencies Hertz								Safe Stall Time Hot	25 s
	250	500	1000	2000	4000	8000	Hz	Safe Stall Time Cold	35 s
SPL@3	66.0	76.0	73.0	70.0	65.0	51.0	dB(A)	Frame material	cast iron
Moment of inertia	23.4 Lb-ft ²							Color, paint shade	Standard Paint - RAL7030
Ext Load Inertia Capability:	441.0 Lb ft ²							Coating (paint finish)	Standard Alkyed + Epoxy (C2)
Bearings								Ventilation Type	
Bearing DE NDE	6316 Z C3 S0			6316 Z C3 S0			Method of cooling	TEFC	
Bearing_Type	Ball Bearing			Ball Bearing			Direction of rotation	Bidirectional	
AFBMA:	80BC03JP30			80BC03JP30			Fan Material	Polypropylen ESD	
Grease								VFD	CT: 4:1 VT: 20:1
Capacity	7.5 oz			7.5 oz			Space heaters	without	
Grease Type:	Exxon Mobile EM							Brake:	without


Terminal box

Lead Wire Connection				3 LEAD - DELTA		Terminal box position	(3) F-1, Standard Floor Mount, T. Box LHS		
Voltage	L1	L1	L1	Connected together		Material of terminal box	Cast Iron		
----	----	----	----	----		Cable entry	3" NPT		
----	T1	T2	T3	----					

Notes:

I_L/I_N = locked rotor current / current nominal
M_L/M_N = locked rotor torque / torque nominal
M_B/M_N = break down torque / nominal torque

3) Value is valid only for DOL operation with motor design IC411
2) at rated power / at full load

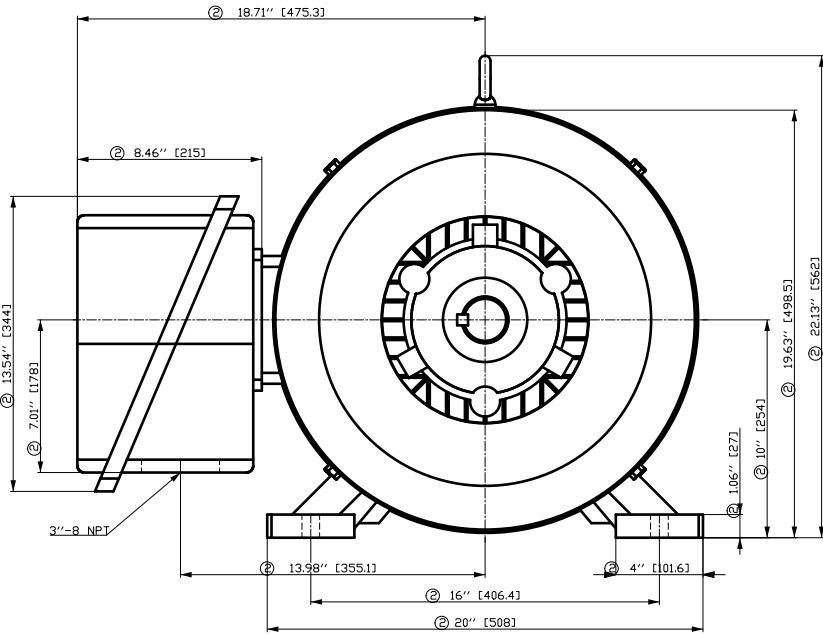
responsible dep. DI MC LVM	technical reference	created by DT Configurator	approved by	<i>Technical data are subject to change! There may be discrepancies between software and hardware versions</i>			
	document type datasheet	document status released		customer			
	title 1LE2421-4BB21-3AA3	document number					
© Siemens AG 2022	rev. 01	creation date 2022-04-08 22:44	language en	Page 1/1			

刀线
用文
为平
面图
积

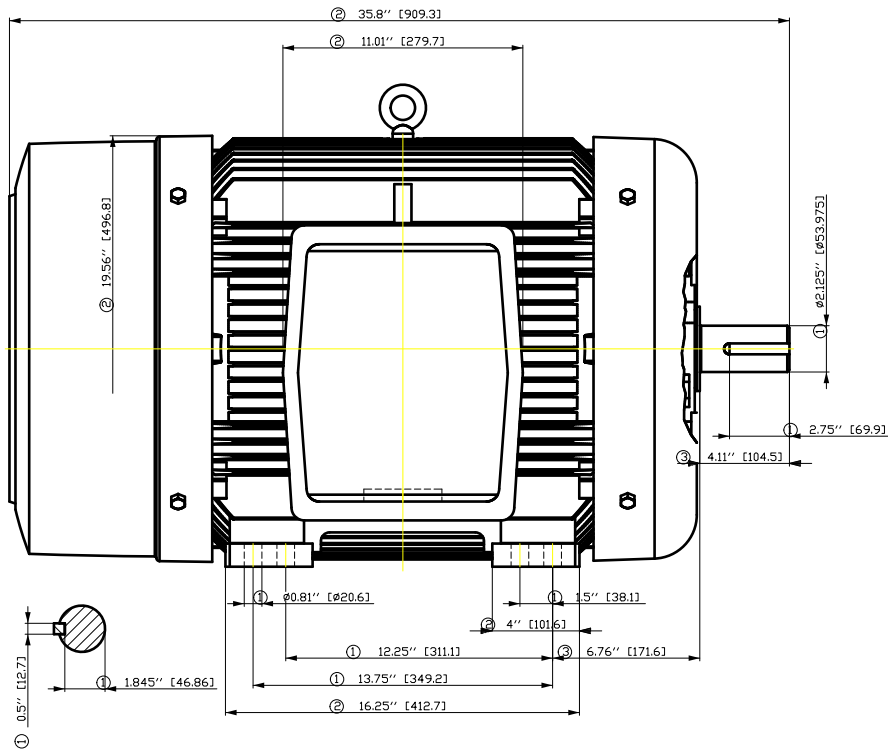
凡在图样中用粗实线表示的轮廓线,均指其未加工前的轮廓。如用细实线表示的轮廓线,均指其加工后的轮廓。在图样中,凡用粗实线表示的轮廓线,均指其未加工前的轮廓。如用细实线表示的轮廓线,均指其加工后的轮廓。在图样中,凡用粗实线表示的轮廓线,均指其未加工前的轮廓。如用细实线表示的轮廓线,均指其加工后的轮廓。

凡在图样中用粗实线表示的轮廓线,均指其未加工前的轮廓。如用细实线表示的轮廓线,均指其加工后的轮廓。在图样中,凡用粗实线表示的轮廓线,均指其未加工前的轮廓。如用细实线表示的轮廓线,均指其加工后的轮廓。在图样中,凡用粗实线表示的轮廓线,均指其未加工前的轮廓。如用细实线表示的轮廓线,均指其加工后的轮廓。

凡在图样中用粗实线表示的轮廓线,均指其未加工前的轮廓。如用细实线表示的轮廓线,均指其加工后的轮廓。在图样中,凡用粗实线表示的轮廓线,均指其未加工前的轮廓。如用细实线表示的轮廓线,均指其加工后的轮廓。在图样中,凡用粗实线表示的轮廓线,均指其未加工前的轮廓。如用细实线表示的轮廓线,均指其加工后的轮廓。



- ① Tolerances according to NEMA std.
- ② All these dimensions corresponding to assemblies and castings shall have a tolerance as per DIN standard 1686-GTB 19.
- ③ Not according to NEMA std.

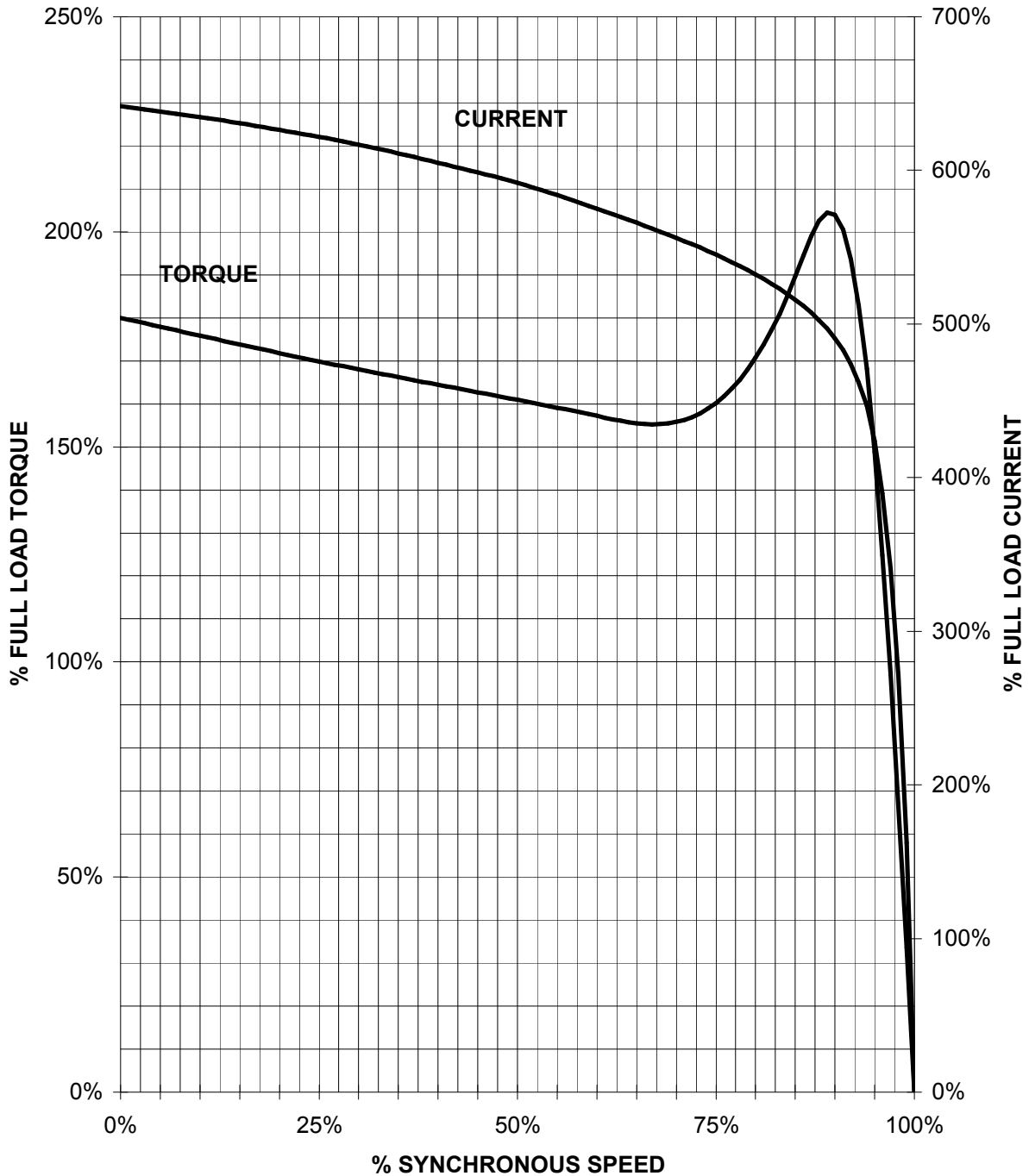


Tolerance	Surface	Material	Weight	Scale
F50G GF8 OÓGF H00H	Author	ÖS	E	1:1
E	Creator			
	Approval			
	Department			
	Change Order	MLFB	Doc Type	/
SIEMENS	Doc State	I 000G	Item No	Paper Size
© Siemens AG 2018	Revision	Index RS	Doc No	1st Language
	Project No	E	Ref No	2nd Language
				Sheet F of F

SIEMENS INDUSTRY INC.

HP 100 VOLTS < 600V RPM 1800 TYPE SD100 IEEE841
HZ 60 PHASE 3 FRAME 405TS NEMA B

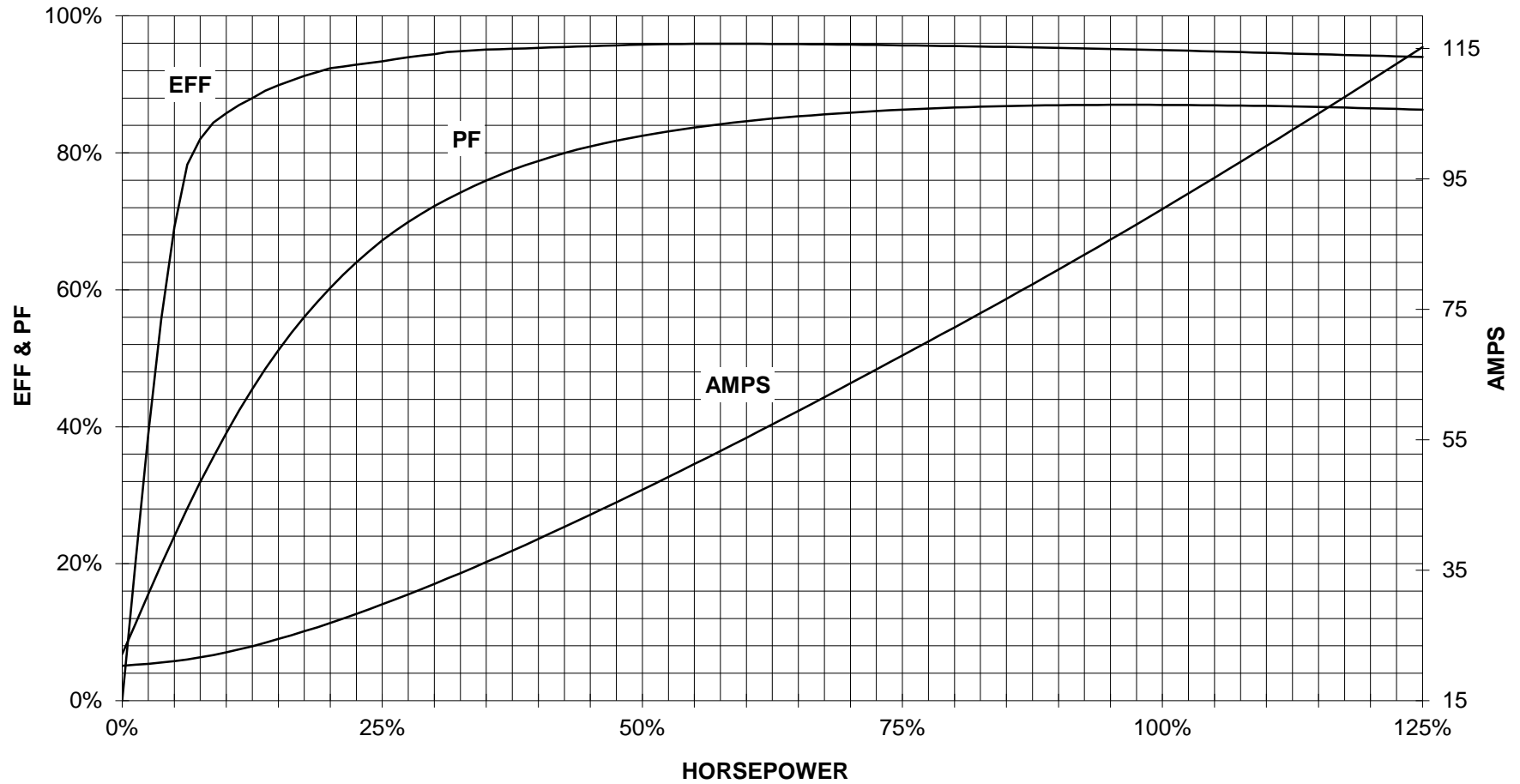
TORQUE & CURRENT VS. SPEED



CUSTOMER: _____ ORDER#: _____

100 HP 1800 RPM 405TS FRAME 575 VOLTS 3 PHASE NEMA DESIGN B

SIEMENS INDUSTRY, INC.
PERFORMANCE CURVE
SD100 IEEE841

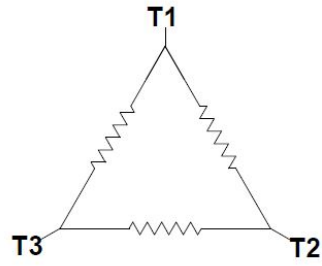


CUSTOMER _____ ORDER # _____ PO # _____


PERFORMANCE BASED ON DESIGN CALCULATIONS. SUBJECT TO CHANGE WITHOUT NOTICE.

REV. 1

Main terminal diagram



3 LEAD DELTA			
LINES			CONN.
L1	L2	L3	
T1	T2	T3	Δ

responsible dep. DI MC LVM	technical reference	created by	approved by	Project		
	document type Wiring Diagram		document status free		customer	
	title 1LE2421-4BB21-3AA3		document number			
© Siemens AG 2019			rev. 01	creation date 12/03/2019	language en	Page 1/1