

# Data sheet for three-phase Squirrel-Cage-Motors SIMOTICS

Motor type: **SD200 NEMA Premium Next Generation**

FS: **L449T - 4p - 350 hp -**

Client order no.	Item-No.	Offer no.
Order no.	Consignment no.	Project

Remarks

**Electrical data** **Class I Division 2 Gr. A, B, C or D T2D Class II**  
**Division 2 Gr. F or G T3C**

U [V]	$\Delta/Y$	f [Hz]	P [HP]	P [kW]	n [rpm]	I Load [Amps]					Nom. Eff Load [%]			Pwr. Factor Load [%]			Torque [lb-ft]	T <sub>A</sub> /T <sub>N</sub> LRT [%]	T <sub>k</sub> /T <sub>N</sub> BDT [%]
						4/4	3/4	1/2	0	LRC	4/4	3/4	2/4	4/4	3/4	2/4			
575	$\Delta$	60	350.00	261.10	1,785	336.8	265.50	201.80	124.80	2040.0	96.2	96.2	96.1	81.0	77.0	67.6	1028.0	235	235

Frame Type: L449T	Type of constr.: (A) Foot Mounted Horizontal (IMB3)	Ins. Cl.: Standard Class H Insulation	Motor Prot.: A: No Winding Protection	NEMA Des.: B	S.F.: 1.15
Mtr. WT: 2,632		Temp. Rise Cl.: B	Amb. Temp.: + 40 to °C @1000 m	kVA: G	IP 55


**Mechanical data**

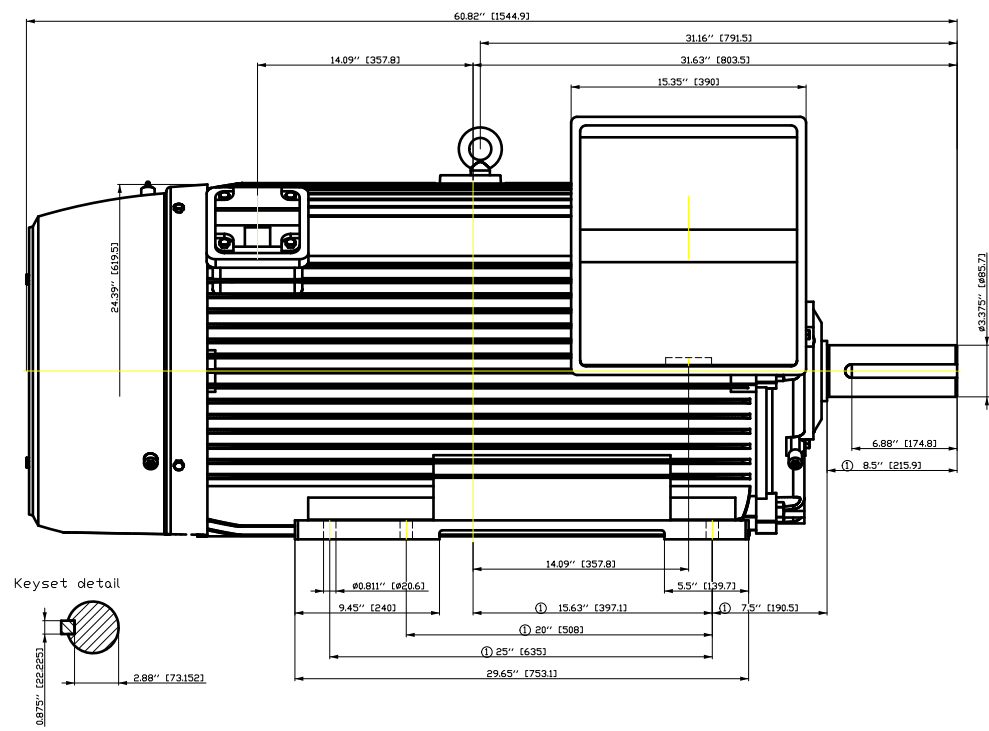
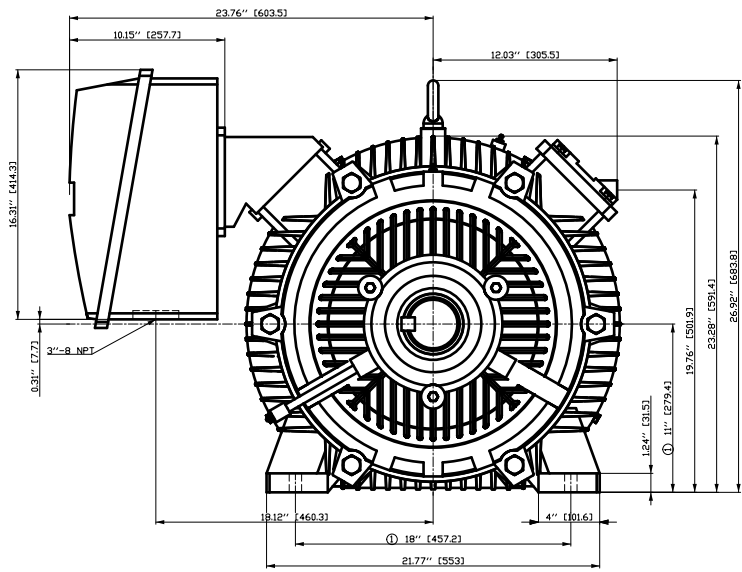
Sound level (SPL / SWL) at 60 Hz	84.0 dB(A) / 96.0 dB(A)	Thickener	Polyurea
Octave Band Center Frequencies Hertz	250 500 1000 2000 4000 8000 Hz	Safe Stall Time Hot	25 s
SPL@3	73.0 79.0 81.0 77.0 67.0 59.0 dB(A)	Safe Stall Time Cold	32 s
Moment of inertia	77.2 Lb-ft <sup>2</sup>	Frame material	Cast iron
Ext Load Inertia Capability:	1370.0 Lb ft <sup>2</sup>	Color, paint shade	RAL 7030
<b>Bearings</b>		Coating (paint finish)	Standard Alkyed + Epoxy (C2)
Bearing DE   NDE	6320 Z C3 S0   6315 Z C3 S0	<b>Ventilation Type</b>	
Bearing_Type	Ball Bearing   Ball Bearing	Method of cooling	TEFC
AFBMA:	100BC03JP3   75BC03JP3	Direction of rotation	Bi-Directional
<b>Grease</b>		Fan Material	Polypropylene ESD
Capacity	15 oz   15 oz	VFD	CT: 4:1 VT: 20:1
Grease Type:	Exxon Mobil EM	Space heaters	without
		Brake:	-/-

**Terminal box**

Lead Wire Connection	3 TERMINAL - Connection DELTA	Terminal box position	(1) LHS Mount - View From DE (F-1) - DE or Center of Motor
Voltage	L1 L1 L1 Connected together	Material of terminal box	Cast Iron
---	---	Cable entry	(1) 4" NPT
RUN	T1 T2 T3 --- $\Delta$		

**Notes:**  
 I<sub>L</sub>/I<sub>N</sub> = locked rotor current / current nominal  
 M<sub>L</sub>/M<sub>N</sub> = locked rotor torque / torque nominal  
 M<sub>d</sub>/M<sub>N</sub> = break down torque / nominal torque  
 3) Value is valid only for DOL operation with motor design IC411  
 2) at rated power / at full load

responsible dep. DI MC LVM	technical reference	created by DT Configurator	approved by	<i>Technical data are subject to change! There may be discrepancies between software and hardware versions</i>	
	document type datasheet	document status released	customer		
	title 1LE6321-4DB11-3AA1	document number	rev. 01	creation date 2022-04-09 01:02	language en
© Siemens AG 2022				Page 1/1	



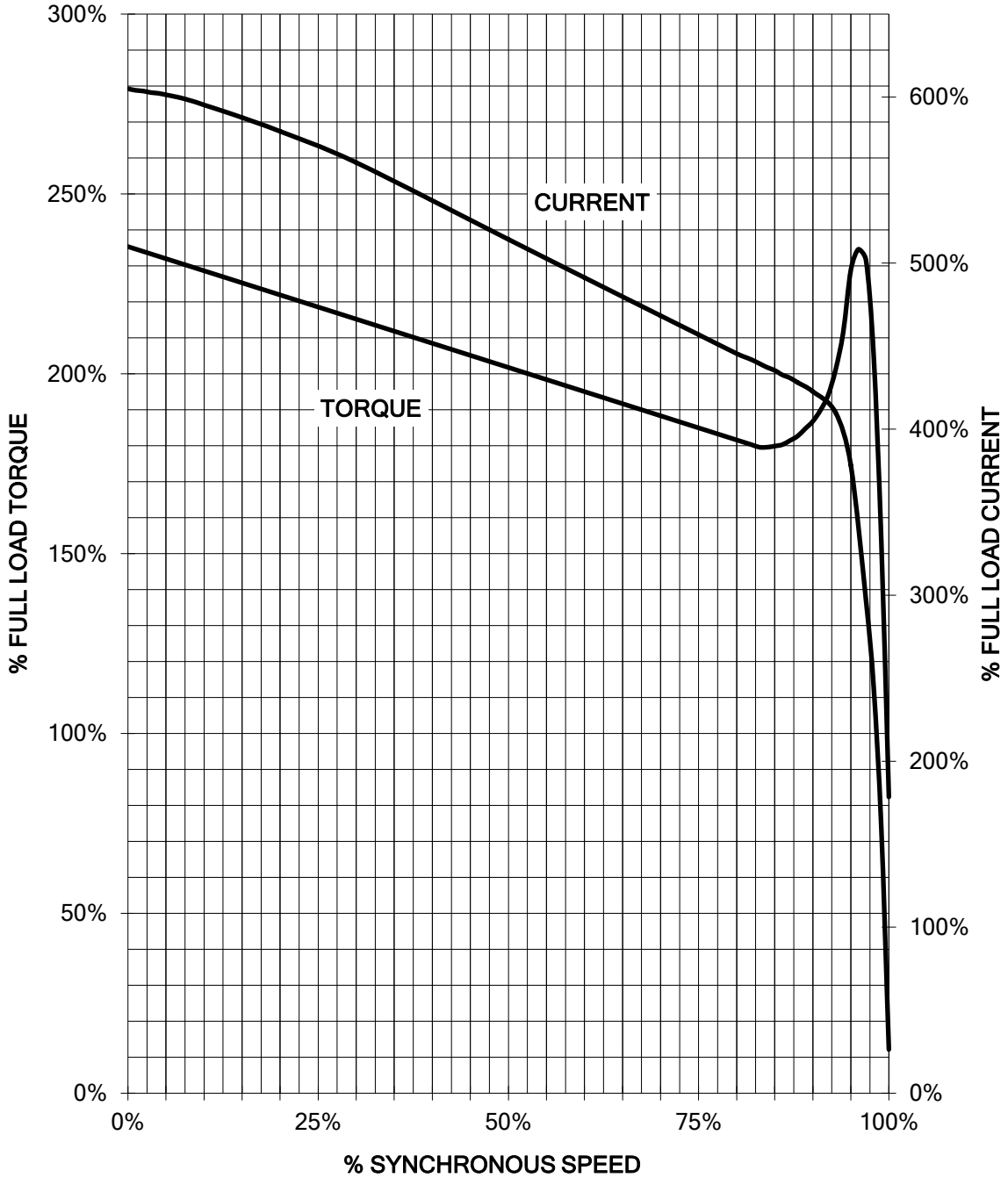
① Tolerances according to NEMA std.  
 All dimensions corresponding to assemblies and castings shall have a tolerance as per ISO 8062-3 DCTG 12.

Tolerance	Surface	Material	Weight	Scale
F50I HGF8 ÖOFFH00F	Author	ÖV8	Ö	{ {
É	Creator	T æ : ^ & @ } *		
	Approval			
	Department			
	Change Order	MFB	Doc Type	/
<b>SIEMENS</b>	Doc State	I EEEG	Item No	Paper Size
© Siemens AG	Revision	Index RS	Doc No	1st Language ^
2018	Project No	É	Ref No	2nd Language â^
				Sheet F of F

# SIEMENS INDUSTRY, INC.

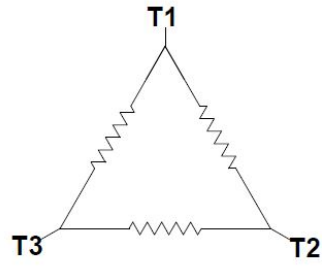
HP 350    VOLTS 460    RPM 1785    TYPE SD200  
HZ 60    PHASE 3    FRAME 449T    NEMA B

## TORQUE & CURRENT VS. SPEED



Unrestricted CUSTOMER: \_\_\_\_\_ ORDER#: \_\_\_\_\_

Main terminal diagram



3 LEAD DELTA			
LINES			CONN.
L1	L2	L3	
T1	T2	T3	Δ

responsible dep.  
DI MC LVM

technical reference

created by

approved by

Project

**SIEMENS**

document type  
Wiring Diagram

title  
1LE6321-4DB11-3AA1

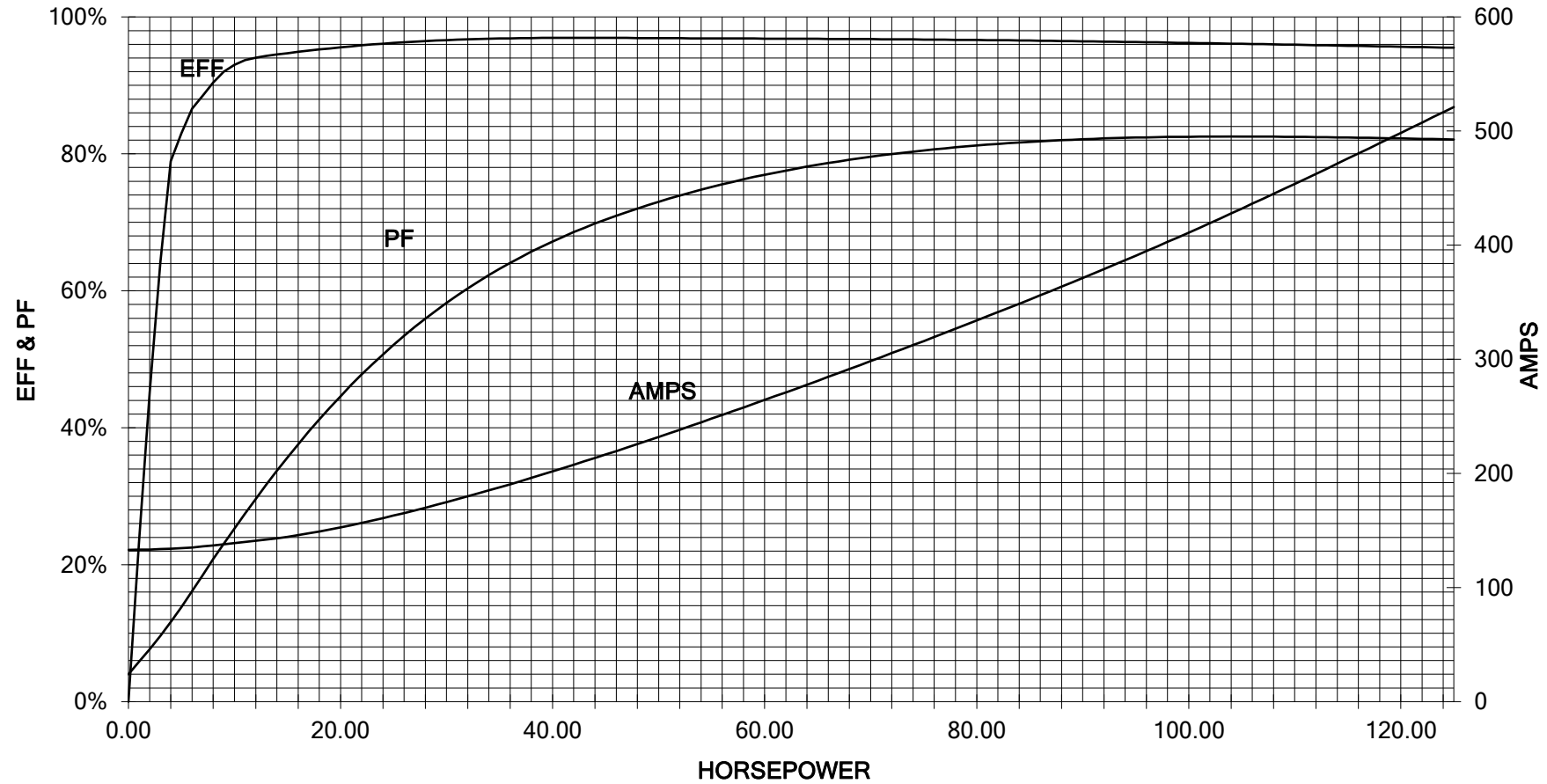
document status  
free

document number

customer

350 HP 1800 RPM 449T FRAME 460 VOLTS 3 PHASE NEMA DESIGN B

SIEMENS INDUSTRY, INC.  
PERFORMANCE CURVE  
SD200



Unrestricted CUSTOMER \_\_\_\_\_ ORDER # \_\_\_\_\_ PO # \_\_\_\_\_

PERFORMANCE BASED ON DESIGN CALCULATIONS. SUBJECT TO CHANGE WITHOUT NOTICE.

REV. 1

2

1

### 3 PHASE - 3 LEADS - DELTA

L1	L2	L3	CONN.
T1	T2	T3	△



B

B

A

A

THIS IS A CAD DRAWING  
DO NOT MAKE MANUAL CHANGES

01 | 09-27-07

TYPE

-CONFIDENTIAL-

PROPERTY OF

Siemens Energy & Automation, Inc.  
Industrial Motor Division - Little Rock, AR

FRAME

HP

NAME

WIRING DIAGRAM

VOLTS

RPM

HZ

PH

3

Customer

DRAWN 9.24.07

DATE JRH

CHECKED

DATE

APP

DATE

SHEET

1 OF 1

Sim. To

PART NO.

51-382-114-504

A

2

1