

Data sheet for three-phase Squirrel-Cage-Motors SIMOTICS

Motor type: SD200 NEMA Premium Next Generation **FS: L449TS - 2p - 400 hp -**

| | | |
|------------------|-----------------|-----------|
| Client order no. | Item-No. | Offer no. |
| Order no. | Consignment no. | Project |

Remarks

Electrical data **Class I Division 2 Gr. A, B, C or D T2D Class II**
Division 2 Gr. F or G T3C

| U [V] | Δ / Y | f [Hz] | P [HP] | P [kW] | n [rpm] | I Load [Amps] | | | | | Nom. Eff Load [%] | | | Pwr. Factor Load [%] | | | Torque [lb-ft] | T _A /T _N LRT [%] | T _k /T _N BDT [%] |
|-------|--------------|--------|--------|--------|---------|---------------|--------|--------|-------|--------|-------------------|------|------|----------------------|------|------|----------------|--|--|
| | | | | | | 4/4 | 3/4 | 1/2 | 0 | LRC | 4/4 | 3/4 | 2/4 | 4/4 | 3/4 | 2/4 | | | |
| 575 | Δ | 60 | 400.00 | 298.40 | 3,570 | 345.6 | 262.80 | 186.60 | 88.80 | 2320.0 | 96.2 | 96.2 | 95.7 | 90.0 | 88.9 | 83.9 | 586.0 | 170 | 300 |

| | | | | | |
|--------------------|---|---------------------------------------|---------------------------------------|--------------|------------|
| Frame Type: L449TS | Type of constr.: (A) Foot Mounted Horizontal (IMB3) | Ins. Cl.: Standard Class H Insulation | Motor Prot.: A: No Winding Protection | NEMA Des.: B | S.F.: 1.15 |
| Mtr. WT: 2,797 | | Temp. Rise Cl.: B | Amb. Temp.: + 40 to °C @1000 m | kVA: G | IP 55 |

Mechanical data

| | | | | | | | | | |
|--------------------------------------|--------------------------|------|------|--------------|------|------|-----------------------|-------------------------|------------------------------|
| Sound level (SPL / SWL) at 60 Hz | 79.0 dB(A) / 91.0 dB(A) | | | | | | | Thickener | Polyurea |
| Octave Band Center Frequencies Hertz | | | | | | | | Safe Stall Time Hot | 25 s |
| | 250 | 500 | 1000 | 2000 | 4000 | 8000 | Hz | Safe Stall Time Cold | 24 s |
| SPL@3 | 58.0 | 62.0 | 78.0 | 74.0 | 57.0 | 50.0 | dB(A) | Frame material | Cast iron |
| Moment of inertia | 49.0 Lb-ft ² | | | | | | | Color, paint shade | RAL 7030 |
| Ext Load Inertia Capability: | 315.0 Lb ft ² | | | | | | | Coating (paint finish) | Standard Alkyed + Epoxy (C2) |
| Bearings | | | | | | | | Ventilation Type | |
| Bearing DE NDE | 6315 Z C3 S0 | | | 6315 Z C3 S0 | | | Method of cooling | TEFC | |
| Bearing_Type | Ball Bearing | | | Ball Bearing | | | Direction of rotation | Bi-Directional | |
| AFBMA: | 75BC03JP3 | | | 75BC03JP3 | | | Fan Material | Polypropylene ESD | |
| Grease | | | | | | | | VFD | CT: 4:1 VT: 20:1 |
| Capacity | 15 oz | | | 15 oz | | | Space heaters | without | |
| Grease Type: | Exxon Mobil EM | | | | | | | Brake: | -/- |

Terminal box


| | | | | | | | |
|----------------------|-------------------------------|-----|-----|--------------------|----------|--------------------------|--|
| Lead Wire Connection | 3 TERMINAL - Connection DELTA | | | | | Terminal box position | (1) LHS Mount - View From DE (F-1) - DE or Center of Motor |
| Voltage | L1 | L1 | L1 | Connected together | | Material of terminal box | Cast Iron |
| --- | --- | --- | --- | --- | - | Cable entry | (1) 4" NPT |
| RUN | T1 | T2 | T3 | --- | Δ | | |

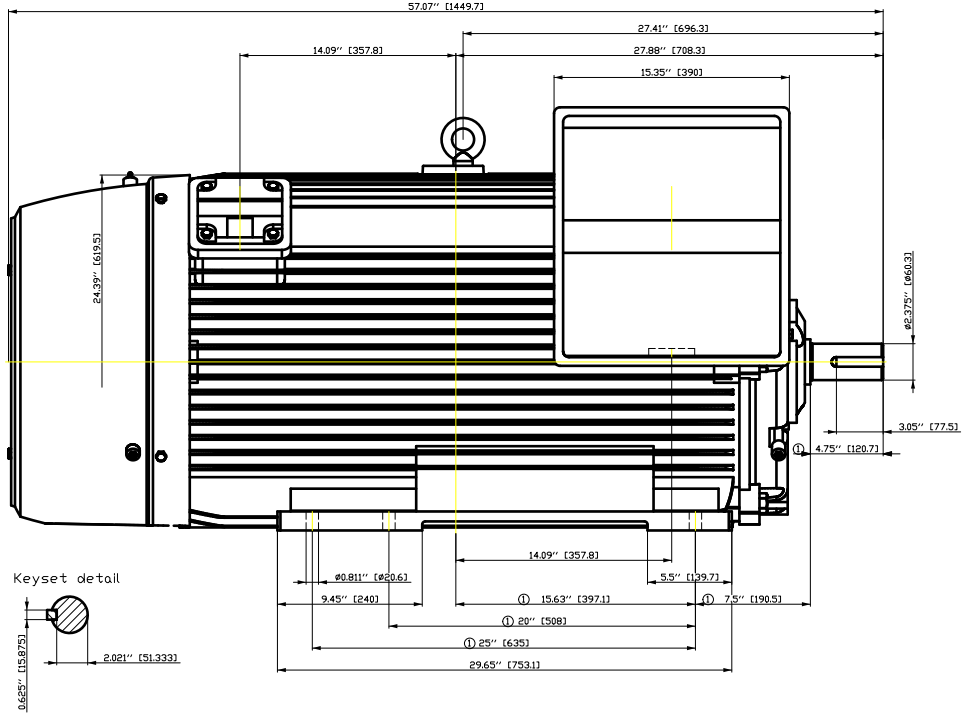
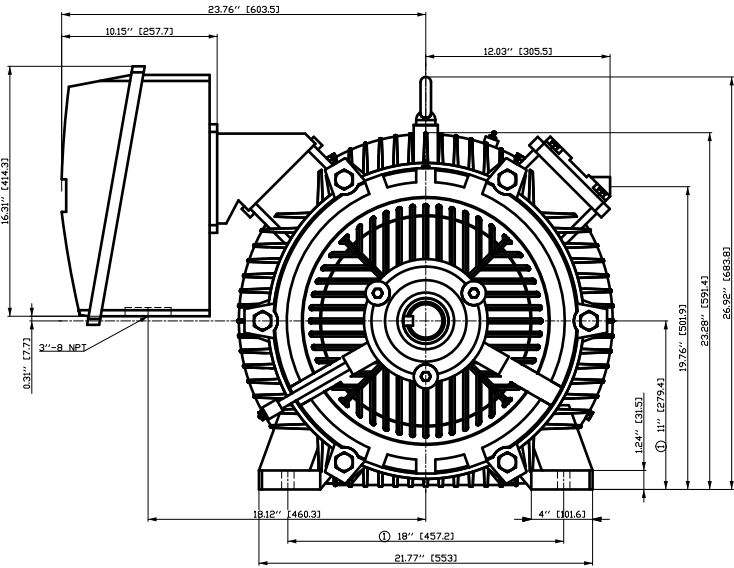
Notes:

I_L/I_N = locked rotor current / current nominal
M_L/M_N = locked rotor torque / torque nominal
M_d/M_N = break down torque / nominal torque

3) Value is valid only for DOL operation with motor design IC411
2) at rated power / at full load

| | | | | |
|------------------|---------------------|-----------------|-------------|---|
| responsible dep. | technical reference | created by | approved by | <i>Technical data are subject to change! There may be discrepancies between software and customer interface</i> |
| DI MC LVM | | DT Configurator | | |

| | | | | |
|--|--------------------|------------------|----------|------|
|  | document type | document status | customer | |
| | datasheet | released | | |
| | title | document number | | |
| | 1LE6321-4HA21-3AA1 | | | |
| © Siemens AG 2022 | rev. | creation date | language | Page |
| | 01 | 2022-04-09 01:15 | en | 1/1 |



① Tolerances according to NEMA std.
 All dimensions corresponding to assemblies and castings shall have a tolerance as per ISO 8062-3 DCTG 12.

| Tolerance | Surface | Material | Weight | Scale |
|-----------------------------|---|-----------------------|--------|--|
| F50 I HGF B P OIG F H ODF E | Author Creator Approval Department Change Order | ÖS T æ : ^ & @ } * | Ë | { } |
| SIEMENS | Doc State Revision | Item No Doc No | | Paper Size 1st Language 2nd Language |
| © Siemens AG 2018 | Index RS | Ref No | | Sheet |

刀模需
用英文
标注
面积

刀模需
用英文
标注
面积

刀模需
用英文
标注
面积

刀模需
用英文
标注
面积

刀模需
用英文
标注
面积

刀模需
用英文
标注
面积

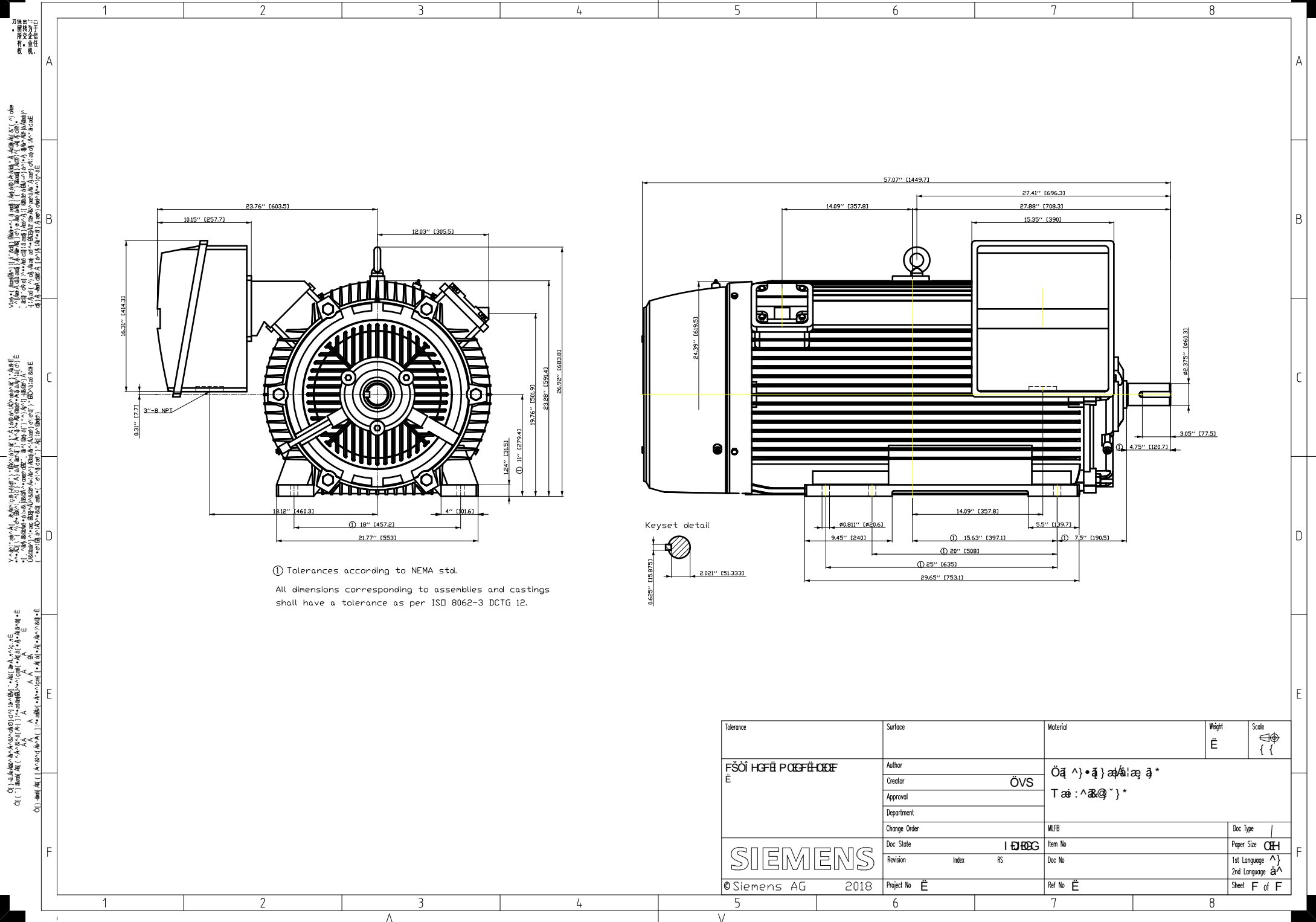
刀模需
用英文
标注
面积

刀模需
用英文
标注
面积

刀模需
用英文
标注
面积

刀模需
用英文
标注
面积

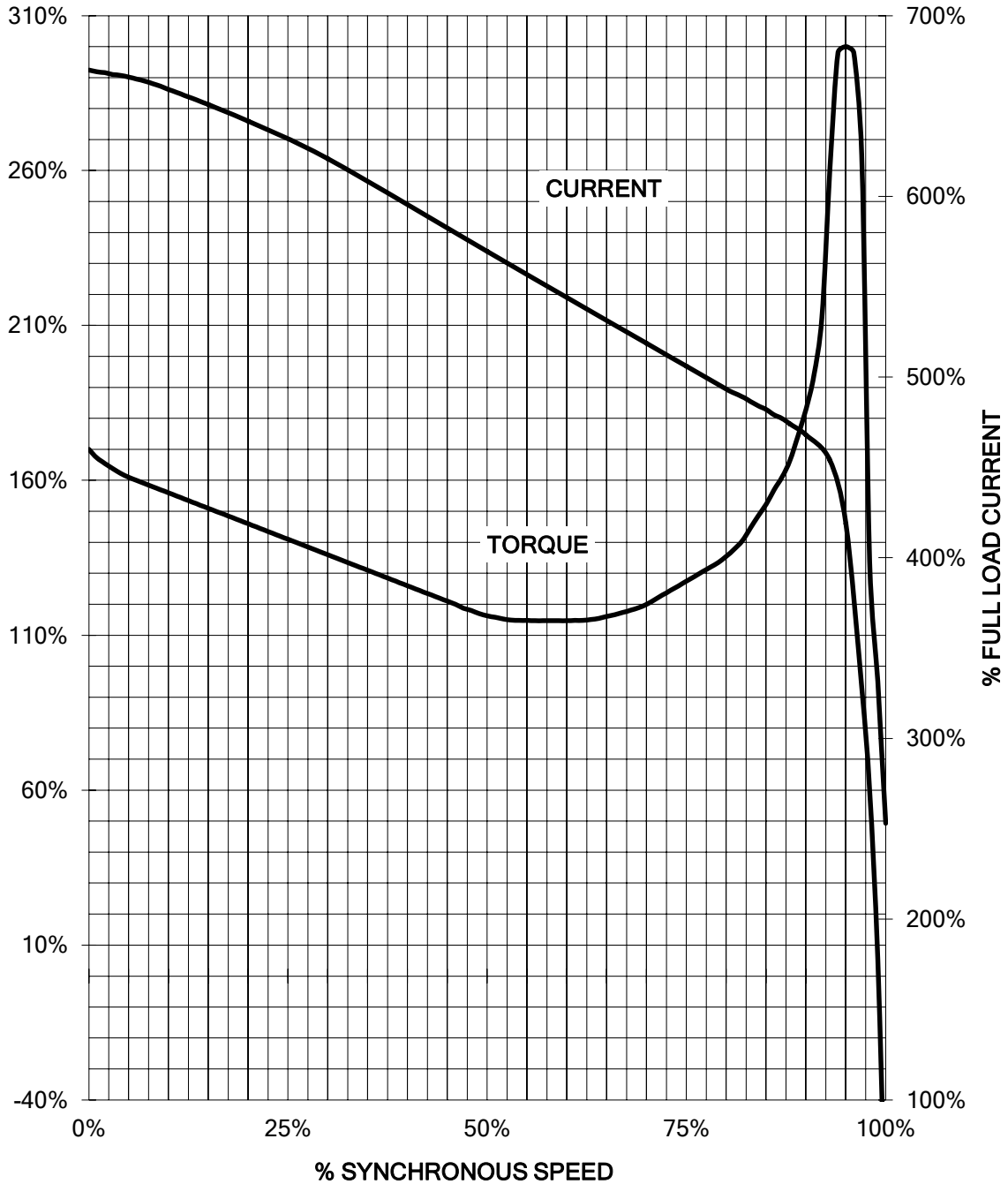
刀模需
用英文
标注
面积



SIEMENS INDUSTRY, INC.

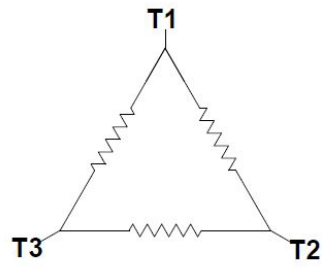
HP 400 VOLTS 460 RPM 3570 TYPE SD200
HZ 60 PHASE 3 FRAME 449T NEMA B

TORQUE & CURRENT VS. SPEED




Unrestricted CUSTOMER: _____ ORDER#: _____

Main terminal diagram

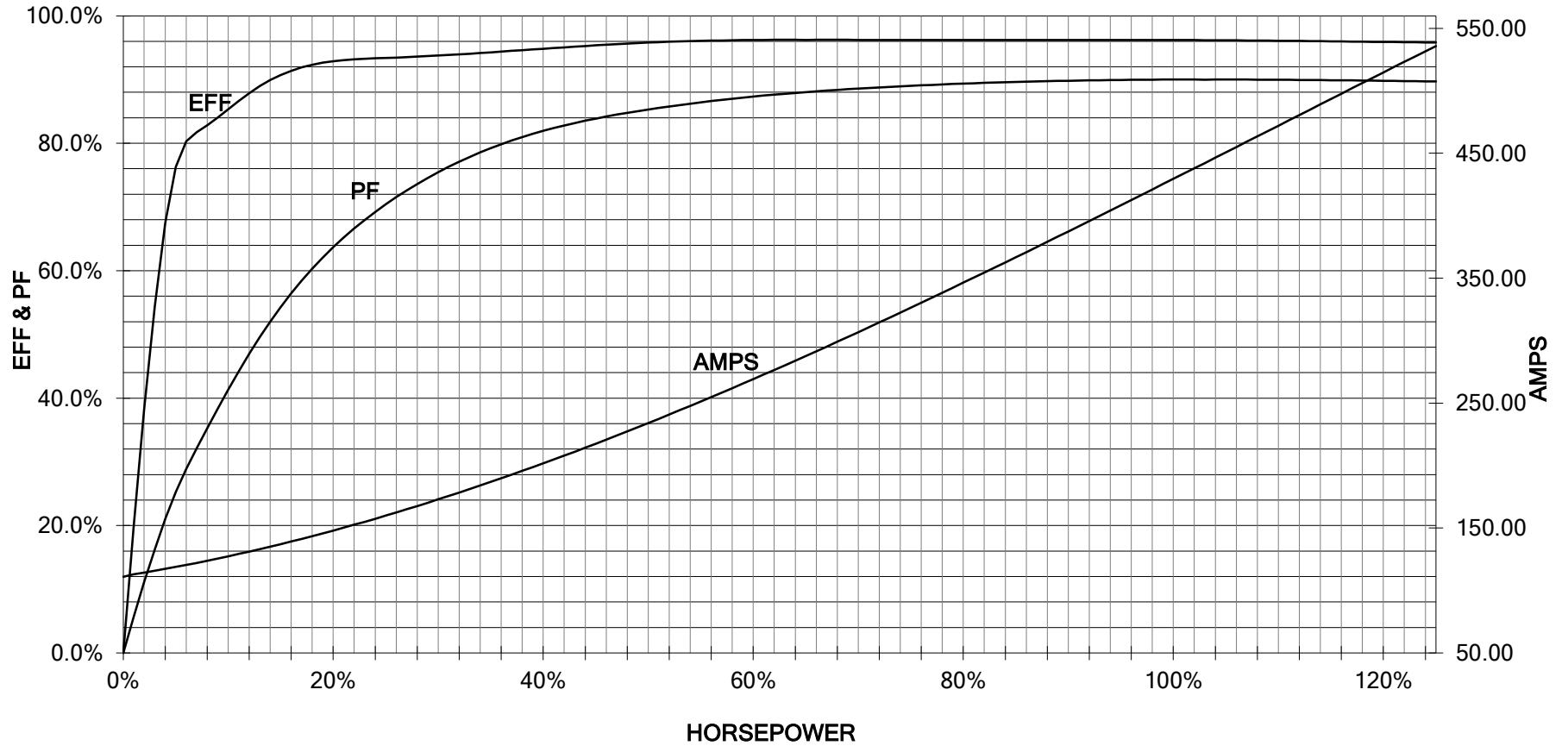


| 3 LEAD DELTA | | | |
|--------------|----|----|-------|
| LINES | | | CONN. |
| L1 | L2 | L3 | |
| T1 | T2 | T3 | Δ |

| | | | | | | |
|--|---------------------------------|------------|-------------------------|-----------------------------|----------------|-------------|
| responsible dep. DI MC LVM | technical reference | created by | approved by | Project | | |
|  | document type Wiring Diagram | | document status free | | customer | |
| | title 1LE6321-4HA21-3AA1 | | document number | | | |
| © Siemens AG 2019 | | | rev. 01 | creation date 12/03/2019 | language en | Page 1/1 |

400 HP 3600 RPM 449T FRAME 460 VOLTS 3 PHASE NEMA DESIGN B

SIEMENS INDUSTRY, INC.
PERFORMANCE CURVE
SD200



CUSTOMER: _____ ORDER #: _____

PERFORMANCE BASED ON DESIGN CALCULATIONS. SUBJECT TO CHANGE WITHOUT NOTICE.

REV. 1

2

1

3 PHASE - 3 LEADS - DELTA

| | | | |
|----|----|----|-------|
| L1 | L2 | L3 | CONN. |
| T1 | T2 | T3 | △ |



B

B

A

A

THIS IS A CAD DRAWING
DO NOT MAKE MANUAL CHANGES

01 | 09-27-07

TYPE

-CONFIDENTIAL-

PROPERTY OF

Siemens Energy & Automation, Inc.
Industrial Motor Division - Little Rock, AR

FRAME

HP

NAME
WIRING DIAGRAM

VOLTS

RPM

HZ

PH

3

Customer

DRAWN 9.24.07 DATE JRH

CHECKED DATE

APP DATE

SHEET
1 OF 1

Sim. To

PART NO.
51-382-114-504

A

2

1