

Data sheet for three-phase Squirrel-Cage-Motors SIMOTICS

Motor type: SD200 NEMA Premium Next Generation **FS: 5,010 - 4p - 450 hp -**

Client order no.	Item-No.	Offer no.
Order no.	Consignment no.	Project
Remarks		

Electrical data **Class I Division 2 Gr. A, B, C or D T3**

U [V]	Δ/Y	f [Hz]	P [HP]	P [kW]	n [rpm]	I Load [Amps]					Nom. Eff Load [%]			Pwr. Factor Load [%]			Torque [lb-ft]	T _A /T _N LRT [%]	T _k /T _N BDT [%]
						4/4	3/4	1/2	0	LRC	4/4	3/4	2/4	4/4	3/4	2/4			
460	Δ Δ	60	450.00	335.70	1,790	515	395.20	284.90	150.00	3250.0	96.5	96.7	96.4	84.8	82.7	76.7	1325.3	230	250
Frame Type: 5,010		Type of constr.: (A) Foot Mounted Horizontal (IMB3)				Ins. Cl.: Standard Class H Insulation		Motor Prot.: A: No Winding Protection			NEMA Des.: B		S.F.: 1.15						
Mtr. WT: 4,302						Temp. Rise Cl.: B		Amb. Temp.: + 40 to °C @1000 m			kVA: G		IP 55						


Mechanical data

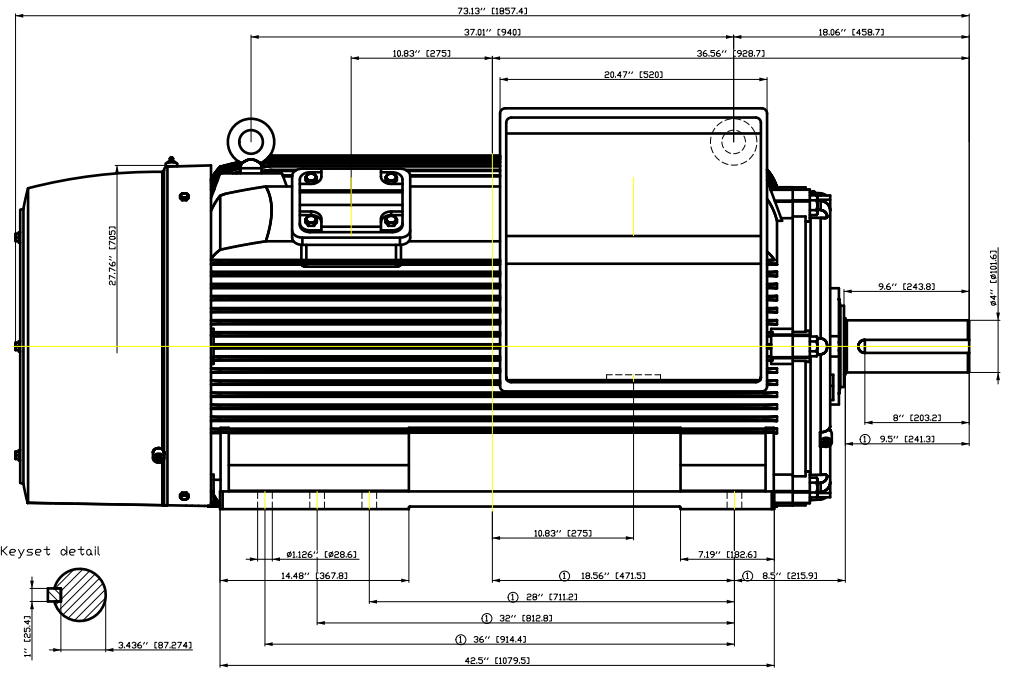
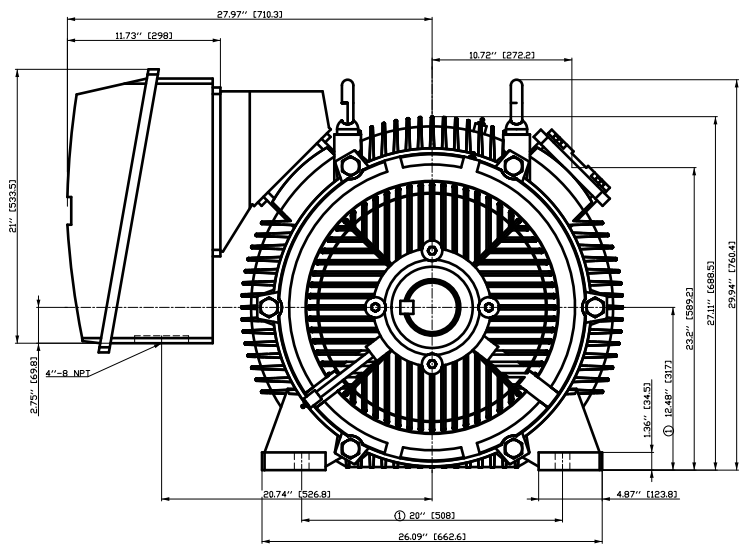
Sound level (SPL / SWL) at 60 Hz	81.0 dB(A) / 94.0 dB(A)	Thickener	Polyurea						
Octave Band Center Frequencies Hertz		Safe Stall Time Hot	17 s						
250	500	1000	2000	4000	8000	Hz	Safe Stall Time Cold	21 s	
SPL@3	77.0	75.0	72.0	67.0	62.0	58.0	dB(A)	Frame material	Cast iron
Moment of inertia	143.0 Lb-ft ²	Color, paint shade	RAL 7030						
Ext Load Inertia Capability:	1710.0 Lb ft ²	Coating (paint finish)	Standard Alkyed + Epoxy (C2)						
Bearings				Ventilation Type					
Bearing DE NDE	6322 Z C3 S0	6322 Z C3 S0		Method of cooling	TEFC				
Bearing_Type	Ball Bearing	Ball Bearing		Direction of rotation	Bi-Directional				
AFBMA:	110BC03JP3	110BC03JP3		Fan Material	Polypropylene ESD				
Grease				VFD	CT: 4:1 VT: 20:1				
Capacity	17 oz	17 oz		Space heaters	without				
Grease Type:	Exxon Mobil EM			Brake:	-/-				

Terminal box

Lead Wire Connection	12 TERMINAL - Connection DELTA					Terminal box position	(1) LHS Mount - View From DE (F-1) - DE or Center of Motor
Voltage	L1	L1	L1	Connected together		Material of terminal box	Cast Iron
---	---	---	---	---	-	Cable entry	(1) 5" NPT
RUN	T12-T7-T6-T1	T10-T8-T4-T2	T11-T9-T5-T13	---	Δ Δ		

Notes:
 I_L/I_N = locked rotor current / current nominal
 M_L/M_N = locked rotor torque / torque nominal
 M_B/M_N = break down torque / nominal torque
 3) Value is valid only for DOL operation with motor design IC411
 2) at rated power / at full load

responsible dep. DI MC LVM	technical reference	created by DT Configurator	approved by	<i>Technical data are subject to change! There may be discrepancies between software and hardware versions</i>			
	document type datasheet	document status released		customer			
	title 1LE6321-5AB21-2AA1	document number					
© Siemens AG 2022	rev. 01	creation date 2022-04-08 01:09	language en	Page 1/1			



Keyset detail

① Tolerances according to NEMA std.
All dimensions corresponding to assemblies and castings shall have a tolerance as per ISO 8062-3 DCTG 12.

Tolerance	Surface	Material	Weight	Scale
F501 HGF E ROGF E30DF E	Author Creator Approval Department Change Order	ÖS Tæ: ^æ@`*`	E	1:1
	Doc. State			
	Revision	Item No	Doc Type Paper Size 1st Language 2nd Language	
© Siemens AG 2018	Index	Doc No	Sheet F of F	

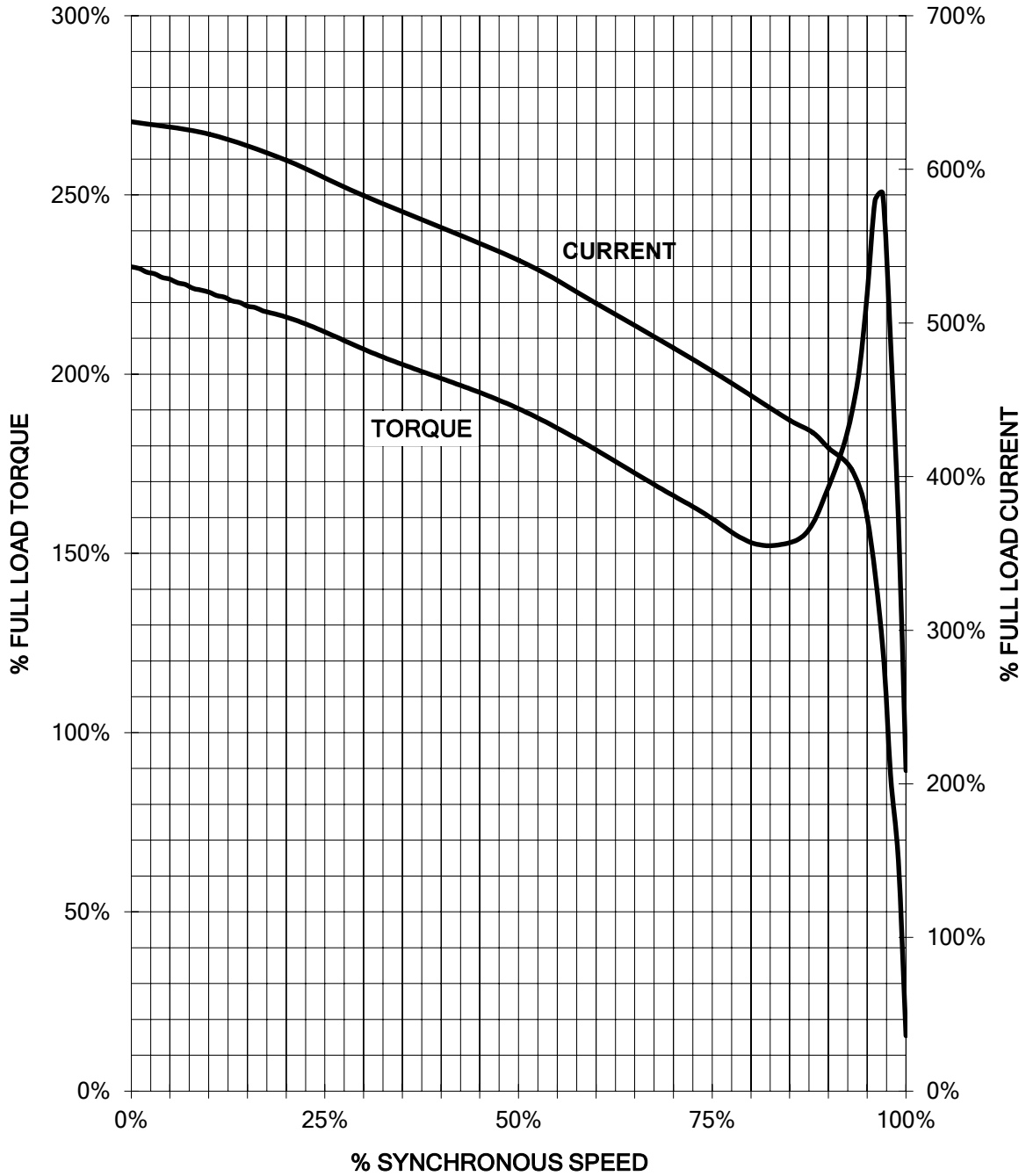
SIEMENS

刀线等用转为平线... 01... 02... 03... 04... 05... 06... 07... 08... 09... 10... 11... 12... 13... 14... 15... 16... 17... 18... 19... 20... 21... 22... 23... 24... 25... 26... 27... 28... 29... 30... 31... 32... 33... 34... 35... 36... 37... 38... 39... 40... 41... 42... 43... 44... 45... 46... 47... 48... 49... 50... 51... 52... 53... 54... 55... 56... 57... 58... 59... 60... 61... 62... 63... 64... 65... 66... 67... 68... 69... 70... 71... 72... 73... 74... 75... 76... 77... 78... 79... 80... 81... 82... 83... 84... 85... 86... 87... 88... 89... 90... 91... 92... 93... 94... 95... 96... 97... 98... 99... 100... 101... 102... 103... 104... 105... 106... 107... 108... 109... 110... 111... 112... 113... 114... 115... 116... 117... 118... 119... 120... 121... 122... 123... 124... 125... 126... 127... 128... 129... 130... 131... 132... 133... 134... 135... 136... 137... 138... 139... 140... 141... 142... 143... 144... 145... 146... 147... 148... 149... 150... 151... 152... 153... 154... 155... 156... 157... 158... 159... 160... 161... 162... 163... 164... 165... 166... 167... 168... 169... 170... 171... 172... 173... 174... 175... 176... 177... 178... 179... 180... 181... 182... 183... 184... 185... 186... 187... 188... 189... 190... 191... 192... 193... 194... 195... 196... 197... 198... 199... 200... 201... 202... 203... 204... 205... 206... 207... 208... 209... 210... 211... 212... 213... 214... 215... 216... 217... 218... 219... 220... 221... 222... 223... 224... 225... 226... 227... 228... 229... 230... 231... 232... 233... 234... 235... 236... 237... 238... 239... 240... 241... 242... 243... 244... 245... 246... 247... 248... 249... 250... 251... 252... 253... 254... 255... 256... 257... 258... 259... 260... 261... 262... 263... 264... 265... 266... 267... 268... 269... 270... 271... 272... 273... 274... 275... 276... 277... 278... 279... 280... 281... 282... 283... 284... 285... 286... 287... 288... 289... 290... 291... 292... 293... 294... 295... 296... 297... 298... 299... 300... 301... 302... 303... 304... 305... 306... 307... 308... 309... 310... 311... 312... 313... 314... 315... 316... 317... 318... 319... 320... 321... 322... 323... 324... 325... 326... 327... 328... 329... 330... 331... 332... 333... 334... 335... 336... 337... 338... 339... 340... 341... 342... 343... 344... 345... 346... 347... 348... 349... 350... 351... 352... 353... 354... 355... 356... 357... 358... 359... 360... 361... 362... 363... 364... 365... 366... 367... 368... 369... 370... 371... 372... 373... 374... 375... 376... 377... 378... 379... 380... 381... 382... 383... 384... 385... 386... 387... 388... 389... 390... 391... 392... 393... 394... 395... 396... 397... 398... 399... 400... 401... 402... 403... 404... 405... 406... 407... 408... 409... 410... 411... 412... 413... 414... 415... 416... 417... 418... 419... 420... 421... 422... 423... 424... 425... 426... 427... 428... 429... 430... 431... 432... 433... 434... 435... 436... 437... 438... 439... 440... 441... 442... 443... 444... 445... 446... 447... 448... 449... 450... 451... 452... 453... 454... 455... 456... 457... 458... 459... 460... 461... 462... 463... 464... 465... 466... 467... 468... 469... 470... 471... 472... 473... 474... 475... 476... 477... 478... 479... 480... 481... 482... 483... 484... 485... 486... 487... 488... 489... 490... 491... 492... 493... 494... 495... 496... 497... 498... 499... 500... 501... 502... 503... 504... 505... 506... 507... 508... 509... 510... 511... 512... 513... 514... 515... 516... 517... 518... 519... 520... 521... 522... 523... 524... 525... 526... 527... 528... 529... 530... 531... 532... 533... 534... 535... 536... 537... 538... 539... 540... 541... 542... 543... 544... 545... 546... 547... 548... 549... 550... 551... 552... 553... 554... 555... 556... 557... 558... 559... 560... 561... 562... 563... 564... 565... 566... 567... 568... 569... 570... 571... 572... 573... 574... 575... 576... 577... 578... 579... 580... 581... 582... 583... 584... 585... 586... 587... 588... 589... 590... 591... 592... 593... 594... 595... 596... 597... 598... 599... 600... 601... 602... 603... 604... 605... 606... 607... 608... 609... 610... 611... 612... 613... 614... 615... 616... 617... 618... 619... 620... 621... 622... 623... 624... 625... 626... 627... 628... 629... 630... 631... 632... 633... 634... 635... 636... 637... 638... 639... 640... 641... 642... 643... 644... 645... 646... 647... 648... 649... 650... 651... 652... 653... 654... 655... 656... 657... 658... 659... 660... 661... 662... 663... 664... 665... 666... 667... 668... 669... 670... 671... 672... 673... 674... 675... 676... 677... 678... 679... 680... 681... 682... 683... 684... 685... 686... 687... 688... 689... 690... 691... 692... 693... 694... 695... 696... 697... 698... 699... 700... 701... 702... 703... 704... 705... 706... 707... 708... 709... 710... 711... 712... 713... 714... 715... 716... 717... 718... 719... 720... 721... 722... 723... 724... 725... 726... 727... 728... 729... 730... 731... 732... 733... 734... 735... 736... 737... 738... 739... 740... 741... 742... 743... 744... 745... 746... 747... 748... 749... 750... 751... 752... 753... 754... 755... 756... 757... 758... 759... 760... 761... 762... 763... 764... 765... 766... 767... 768... 769... 770... 771... 772... 773... 774... 775... 776... 777... 778... 779... 780... 781... 782... 783... 784... 785... 786... 787... 788... 789... 790... 791... 792... 793... 794... 795... 796... 797... 798... 799... 800... 801... 802... 803... 804... 805... 806... 807... 808... 809... 810... 811... 812... 813... 814... 815... 816... 817... 818... 819... 820... 821... 822... 823... 824... 825... 826... 827... 828... 829... 830... 831... 832... 833... 834... 835... 836... 837... 838... 839... 840... 841... 842... 843... 844... 845... 846... 847... 848... 849... 850... 851... 852... 853... 854... 855... 856... 857... 858... 859... 860... 861... 862... 863... 864... 865... 866... 867... 868... 869... 870... 871... 872... 873... 874... 875... 876... 877... 878... 879... 880... 881... 882... 883... 884... 885... 886... 887... 888... 889... 890... 891... 892... 893... 894... 895... 896... 897... 898... 899... 900... 901... 902... 903... 904... 905... 906... 907... 908... 909... 910... 911... 912... 913... 914... 915... 916... 917... 918... 919... 920... 921... 922... 923... 924... 925... 926... 927... 928... 929... 930... 931... 932... 933... 934... 935... 936... 937... 938... 939... 940... 941... 942... 943... 944... 945... 946... 947... 948... 949... 950... 951... 952... 953... 954... 955... 956... 957... 958... 959... 960... 961... 962... 963... 964... 965... 966... 967... 968... 969... 970... 971... 972... 973... 974... 975... 976... 977... 978... 979... 980... 981... 982... 983... 984... 985... 986... 987... 988... 989... 990... 991... 992... 993... 994... 995... 996... 997... 998... 999... 1000...

SIEMENS INDUSTRY, INC.

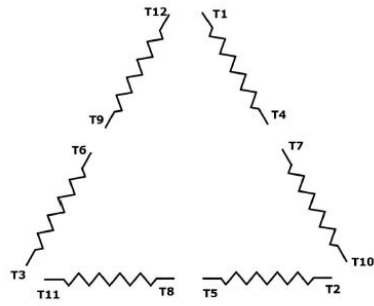
HP 450 VOLTS 460 RPM 1790 TYPE SD200
HZ 60 PHASE 3 FRAME 5010 NEMA B

TORQUE & CURRENT VS. SPEED



Unrestricted CUSTOMER: _____ ORDER#: _____

Main terminal diagram



12 LEAD DELTA		
LINES	CONNECT TOGETHER	CONN.
L1	T12 - T7 - T6 - T1	ΔΔ
L2	T10 - T8 - T4 - T2	
L2	T11 - T9 - T5 - T3	

responsible dep. DI MC LVM	technical reference	created by	approved by	Project
SIEMENS	document type Wiring Diagram	document status free		customer
	title 1LE6321-5AB21-2AA1	document number		
© Siemens AG 2019		rev. 01	creation date 12/03/2019	language en
				Page 1/1