

Data sheet for three-phase Squirrel-Cage-Motors SIMOTICS

Motor type: SD200 NEMA Premium Next Generation **FS: 5,012 - 4p - 600 hp -**

Client order no.	Item-No.	Offer no.
Order no.	Consignment no.	Project
Remarks		

Electrical data **Class I Division 2 Gr. A, B, C or D T3**

U [V]	Δ/Y	f [Hz]	P [HP]	P [kW]	n [rpm]	I Load [Amps]					Nom. Eff Load [%]			Pwr. Factor Load [%]			Torque [lb-ft]	T _A /T _N LRT [%]	T _k /T _N BDT [%]
						4/4	3/4	1/2	0	LRC	4/4	3/4	2/4	4/4	3/4	2/4			
460	$\Delta \Delta$	60	600.00	447.60	1,790	686	520.10	375.20	190.00	4400.0	96.7	96.9	96.6	84.7	83.6	77.5	1767.6	230	250
Frame Type: 5,012		Type of constr.: (A) Foot Mounted Horizontal (IMB3)			Ins. Cl.: Standard Class H Insulation		Motor Prot.: A: No Winding Protection			NEMA Des.: -/-		S.F.: 1.15							
Mtr. WT: 4,993					Temp. Rise Cl.: B		Amb. Temp.: + 40 to °C @1000 m			kVA: G		IP 55							


Mechanical data

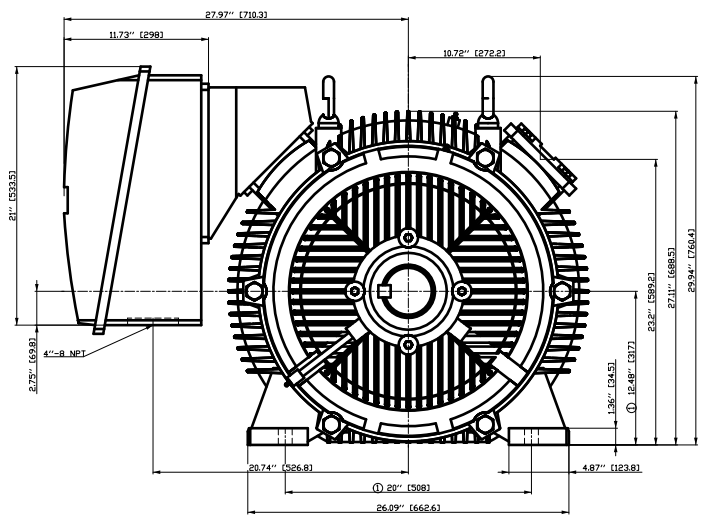
Sound level (SPL / SWL) at 60 Hz	81.0 dB(A) / 94.0 dB(A)		Thickener	Polyurea					
Octave Band Center Frequencies Hertz			Safe Stall Time Hot	19 s					
	250	500	1000	2000	4000	8000	Hz	Safe Stall Time Cold	23 s
SPL@3	77.0	75.0	72.0	67.0	62.0	58.0	dB(A)	Frame material	Cast iron
Moment of inertia	172.0 Lb-ft ²		Color, paint shade	RAL 7030					
Ext Load Inertia Capability:	2202.0 Lb ft ²		Coating (paint finish)	Standard Alkyed + Epoxy (C2)					
Bearings			Ventilation Type						
Bearing DE NDE	6322 Z C3 S0		6322 Z C3 S0						
Bearing_Type	Ball Bearing		Ball Bearing						
AFBMA:	110BC03JP3		110BC03JP3						
Grease			Method of cooling						
Capacity	17 oz		17 oz						
Grease Type:	Exxon Mobil EM		Direction of rotation						
			Bi-Directional						
			Fan Material						
			Polypropylene ESD						
			VFD						
			CT: 4:1 VT: 20:1						
			Space heaters						
			without						
			Brake:						
			-/-						

Terminal box

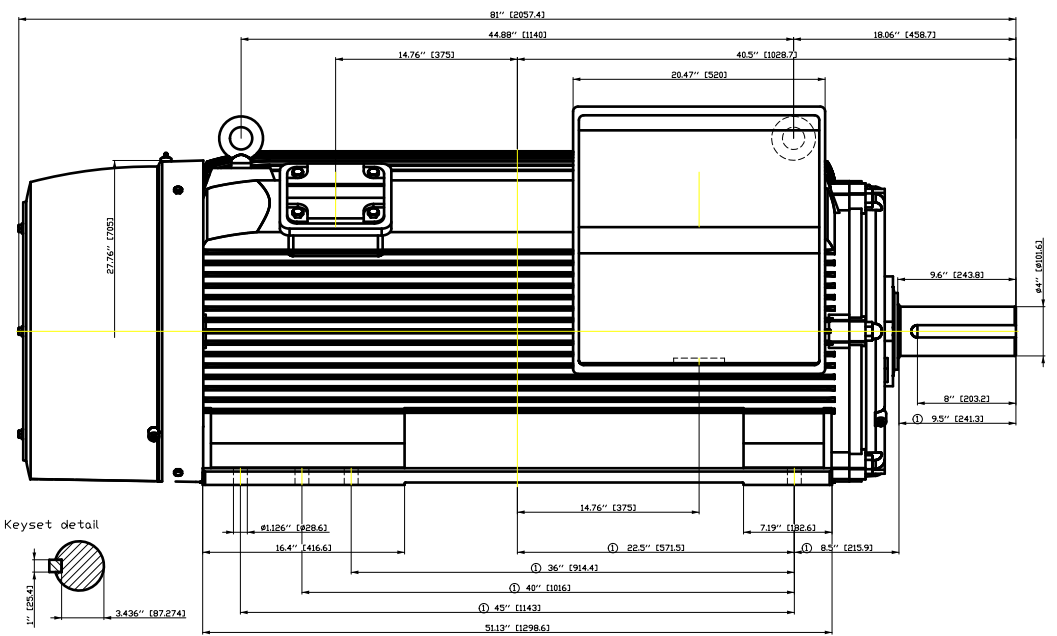
Lead Wire Connection	12 TERMINAL - Connection DELTA				Terminal box position	(1) LHS Mount - View From DE (F-1) - DE or Center of Motor
Voltage	L1	L1	L1	Connected together	Material of terminal box	Cast Iron
----	----	----	----	---	Cable entry	(1) 5" NPT
RUN	T12-T7-T6-T1	T10-T8-T4-T2	T11-T9-T5-T13	----		

Notes:					
I _r /I _N = locked rotor current / current nominal		3) Value is valid only for DOL operation with motor design IC411			
M _r /M _N = locked rotor torque / torque nominal		2) at rated power / at full load			
M _b /M _N = break down torque / nominal torque					

responsible dep.	technical reference	created by	approved by	<i>Technical data are subject to change! There may be discrepancies between software and hardware versions</i>	
DI MC LVM		DT Configurator			
	document type	document status		customer	
	datasheet	released			
	title	document number			
	1LE6321-5BB51-2AA1				
© Siemens AG 2022	rev.	creation date	language	Page	
	01	2022-04-08 01:10	en	1/1	



① Tolerances according to NEMA std.
 All dimensions corresponding to assemblies and castings shall have a tolerance as per ISD 8062-3 DCTG 12.



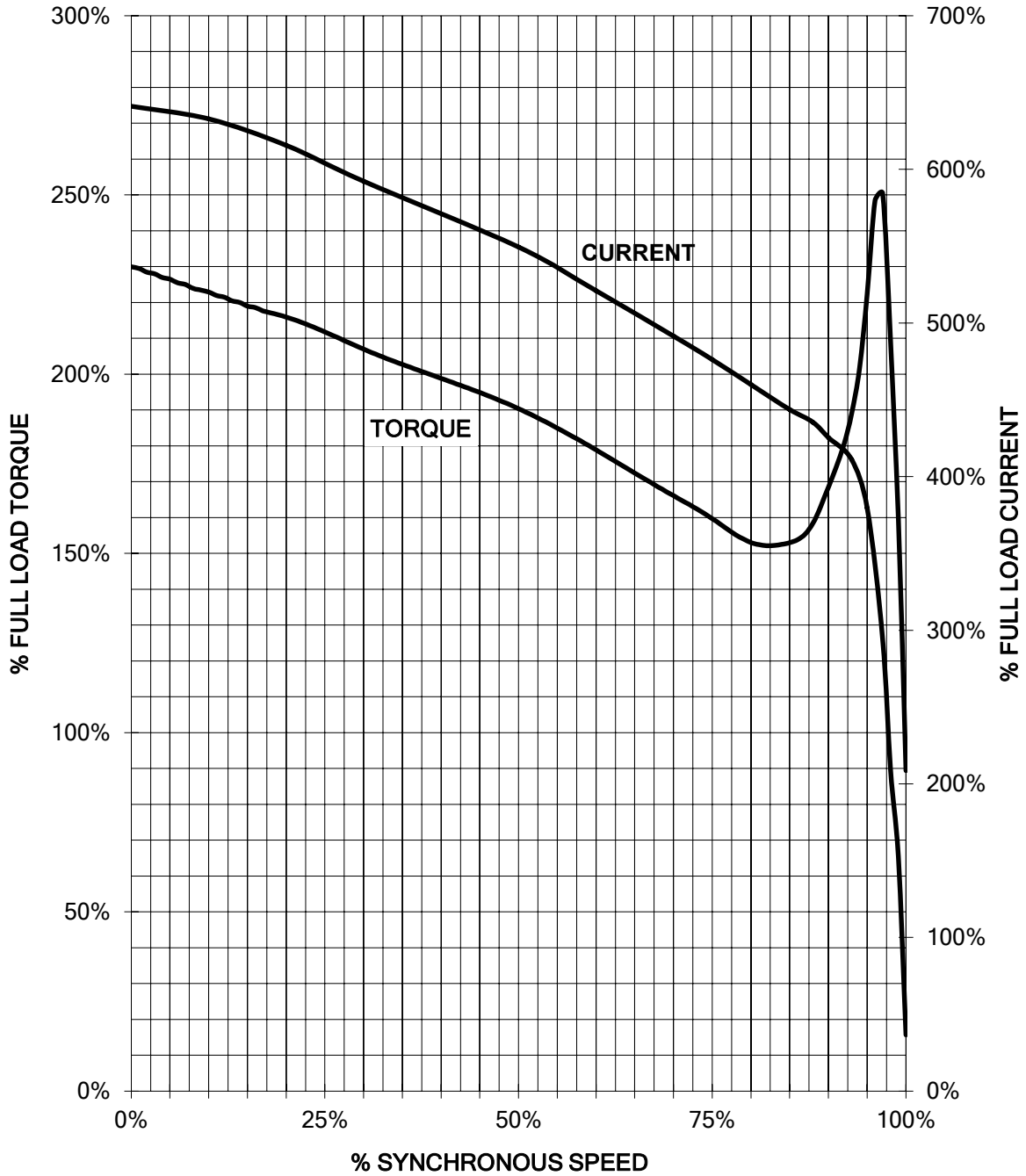
刀线... 用... 文... 全... 图... 积...
 01) 1) 2) 3) 4) 5) 6) 7) 8) 9) 10) 11) 12) 13) 14) 15) 16) 17) 18) 19) 20) 21) 22) 23) 24) 25) 26) 27) 28) 29) 30) 31) 32) 33) 34) 35) 36) 37) 38) 39) 40) 41) 42) 43) 44) 45) 46) 47) 48) 49) 50) 51) 52) 53) 54) 55) 56) 57) 58) 59) 60) 61) 62) 63) 64) 65) 66) 67) 68) 69) 70) 71) 72) 73) 74) 75) 76) 77) 78) 79) 80) 81) 82) 83) 84) 85) 86) 87) 88) 89) 90) 91) 92) 93) 94) 95) 96) 97) 98) 99) 100)

| | | | | |
|----------------------------|---|------------------------|--------------------------|--|
| Tolerance | Surface | Material | Weight
E | Scale
1:1 |
| F501 HGF E OOI FEGODE
E | Author
Creator
Approval
Department
Change Order | ÖVS
T a : ^ & @ } * | | |
| SIEMENS | Doc. State
Revision | I B B G
Index RS | MFB
Item No
Doc No | Doc Type
Paper Size
1st Language
2nd Language |
| | © Siemens AG 2018 | Project No E | Ref No E | Sheet F of F |

SIEMENS INDUSTRY, INC.

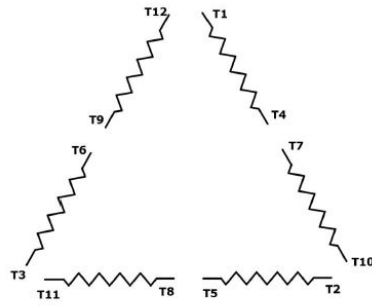
HP 600 VOLTS 460 RPM 1790 TYPE SD200
HZ 60 PHASE 3 FRAME 5012 NEMA _____

TORQUE & CURRENT VS. SPEED



Unrestricted CUSTOMER: _____ ORDER#: _____

Main terminal diagram



| 12 LEAD DELTA | | |
|---------------|--------------------|-------|
| LINES | CONNECT TOGETHER | CONN. |
| L1 | T12 - T7 - T6 - T1 | ΔΔ |
| L2 | T10 - T8 - T4 - T2 | |
| L2 | T11 - T9 - T5 - T3 | |

| | | | | |
|-------------------------------|---------------------------------|-------------------------|-----------------------------|-------------------------------|
| responsible dep.
DI MC LVM | technical reference | created by | approved by | Project |
| SIEMENS | document type
Wiring Diagram | document status
free | | customer |
| | title
1LE6321-5BB51-2AA1 | document number | | |
| © Siemens AG 2019 | | rev.
01 | creation date
12/03/2019 | language
en
Page
1/1 |