

Data sheet for three-phase Squirrel-Cage-Motors SIMOTICS

Motor type: **SD200 NEMA Premium Next Generation** FS: 5012S - 2p - 600 hp -

Client order no.	Item-No.	Offer no.
Order no.	Consignment no.	Project
Remarks		

Electrical data Class I Division 2 Gr. A, B, C or D T3

U [V]	Δ/Y	f [Hz]	P [HP]	P [kW]	n [rpm]	I Load [Amps]					Nom. Eff Load [%]			Pwr. Factor Load [%]			Torque [lb-ft]	T _A /T _N LRT [%]	T _k /T _N BDT [%]
						4/4	3/4	1/2	0	LRC	4/4	3/4	2/4	4/4	3/4	2/4			
460	$\Delta \Delta$	60	600.00	447.60	3,585	650	500.30	361.90	145.00	4250.0	96.7	96.8	96.3	89.1	87.0	80.6	877.7	190	230
Frame Type: 5012S		Type of constr.: (A) Foot Mounted Horizontal (IMB3)			Ins. Cl.: Standard Class H Insulation		Motor Prot.: K: Stator RTD's, 2 Per Phase			NEMA Des.: -/-		S.F.: 1.15							
Mtr. WT: 4,936					Temp. Rise Cl.: B		Amb. Temp.: + 40 to °C @1000 m			kVA: G		IP 55							

Mechanical data

Sound level (SPL / SWL) at 60 Hz	82.0 dB(A) / 95.0 dB(A)		Thickener	Polyurea					
Octave Band Center Frequencies Hertz			Safe Stall Time Hot	17 s					
	250	500	1000	2000	4000	8000	Hz	Safe Stall Time Cold	22 s
SPL@3	79.0	74.0	73.0	72.0	72.0	67.0	dB(A)	Frame material	Cast iron
Moment of inertia	121.0 Lb-ft ²		Color, paint shade	RAL 7030					
Ext Load Inertia Capability:	443.0 Lb ft ²		Coating (paint finish)	Standard Alkyed + Epoxy (C2)					
Bearings			Ventilation Type						
Bearing DE NDE	6316 Z C3 S0		6316 Z C3 S0						
Bearing_Type	Ball Bearing		Ball Bearing						
AFBMA:	80BC03JP3		80BC03JP3						
Grease			Method of cooling						
Capacity	9 oz		9 oz						
Grease Type:	Exxon Mobil EM		TEFC						
			Direction of rotation						
			Bi-Directional						
			Fan Material						
			Polypropylene ESD						
			VFD						
			CT: 4:1 VT: 20:1						
			Space heaters						
			without						
			Brake:						
			-/-						


Terminal box

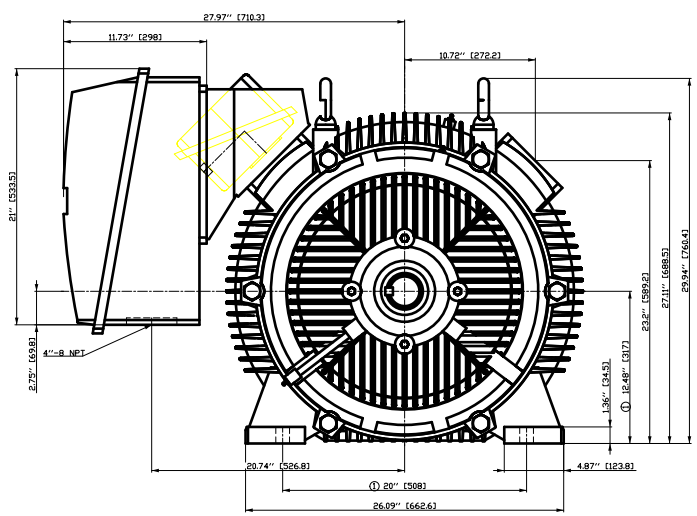
Lead Wire Connection	12 TERMINAL - Connection DELTA				Terminal box position	(1) LHS Mount - View From DE (F-1) - DE or Center of Motor
Voltage	L1	L1	L1	Connected together	Material of terminal box	Cast Iron
----	----	----	----	---	Cable entry	(1) 5" NPT
RUN	T12-T7-T6-T1	T10-T8-T4-T2	T11-T9-T5-T13	----		

Notes:

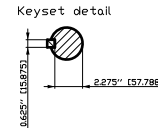
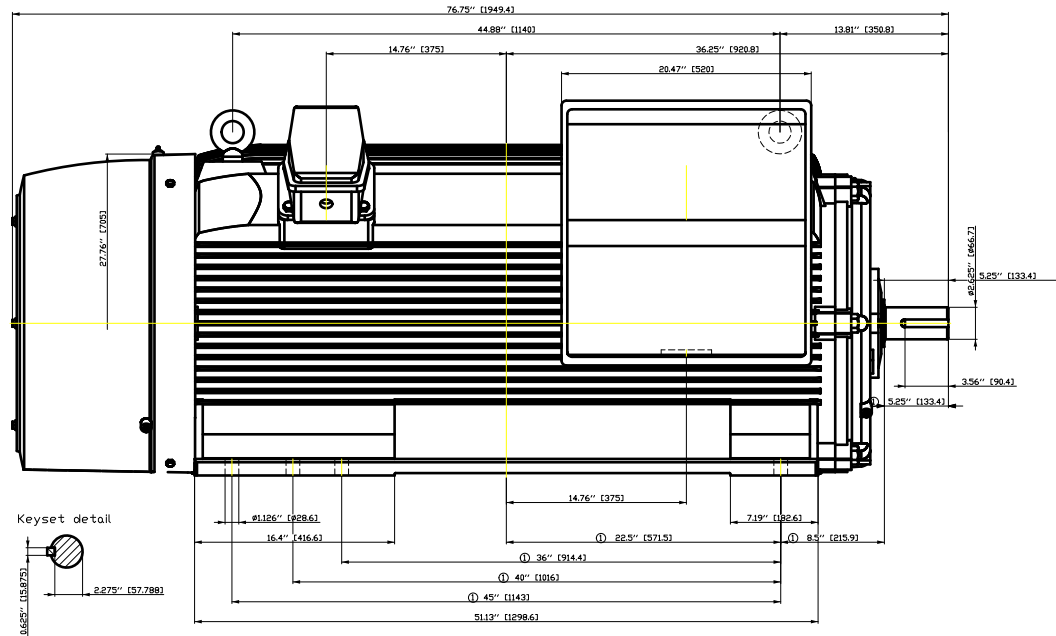
I_r/I_N = locked rotor current / current nominal
M_r/M_N = locked rotor torque / torque nominal
M_b/M_N = break down torque / nominal torque

3) Value is valid only for DOL operation with motor design IC411
2) at rated power / at full load

responsible dep. DI MC LVM	technical reference	created by DT Configurator	approved by	<i>Technical data are subject to change! There may be discrepancies between software and hardware versions</i>	
	document type datasheet	document status released	customer		
	title 1LE6321-5FA51-2AK1	document number			
© Siemens AG 2022	rev. 01	creation date 2022-04-08 01:20	language en	Page 1/1	



① Tolerances according to NEMA std.
 All dimensions corresponding to assemblies and castings shall have a tolerance as per ISO 8062-3 DCTG 12.

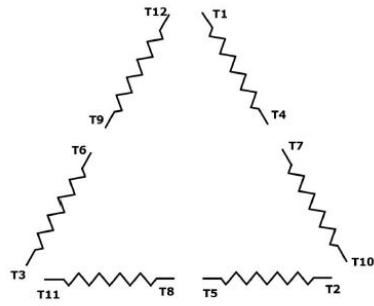


Tolerance	Surface	Material	Weight	Scale
F501 HGFE 001 F1E05F	Author	ÖB	133.4	1:1
É	Creator	ÖVS		
	Approval	Tæ: ^æ@` } *		
	Department			
	Change Order	MFB	Doc Type	/
SIEMENS	Doc State	I ð BCG	Item No	Paper Size
	Revision	Index RS	Doc No	1st Language ^
				2nd Language â
© Siemens AG 2018	Project No	É	Ref No	É
				Sheet F of F

刀痕等
 用转为
 用文全
 用图
 用积

ÖB () HGFE 001 F1E05F
 É () HGFE 001 F1E05F
 ÖVS () HGFE 001 F1E05F
 Tæ: ^æ@` } *

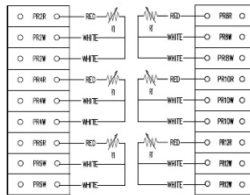
Main terminal diagram



12 LEAD DELTA		
LINES	CONNECT TOGETHER	CONN.
L1	T12 - T7 - T6 - T1	ΔΔ
L2	T10 - T8 - T4 - T2	
L2	T11 - T9 - T5 - T3	

Motor protection

3 WIRE STATOR RTDs



responsible dep.
DI MC LVM

technical reference

created by

approved by

Project

SIEMENS

document type
Wiring Diagram

title
1LE6321-5FA51-2AK1

document status
free

document number

customer