

Data sheet for three-phase Squirrel-Cage-Motors SIMOTICS

Motor type: **SD200 NEMA Premium 841** FS: **L449T - 4p - 350 hp -**

| | | |
|------------------|-----------------|-----------|
| Client order no. | Item-No. | Offer no. |
| Order no. | Consignment no. | Project |
| Remarks | | |

Electrical data **Class I Division 2 Gr. A, B, C or D T2D Class II**
Division 2 Gr. F or G T3C

| U [V] | Δ/Y | f [Hz] | P [HP] | P [kW] | n [rpm] | I Load [Amps] | | | | | Nom. Eff Load [%] | | | Pwr. Factor Load [%] | | | Torque [lb-ft] | T _A /T _N LRT [%] | T _k /T _N BDT [%] |
|-------|------------|--------|--------|--------|---------|---------------|--------|--------|--------|--------|-------------------|------|------|----------------------|------|------|----------------|--|--|
| | | | | | | 4/4 | 3/4 | 1/2 | 0 | LRC | 4/4 | 3/4 | 2/4 | 4/4 | 3/4 | 2/4 | | | |
| 575 | Δ | 60 | 350.00 | 261.10 | 1,785 | 336.8 | 265.50 | 201.80 | 124.80 | 2040.0 | 96.2 | 96.2 | 96.1 | 81.0 | 77.0 | 67.6 | 1028.0 | 235 | 235 |

| | | | | | |
|-------------------|---|---------------------------------------|---------------------------------------|--------------|------------|
| Frame Type: L449T | Type of constr.: (A) Foot Mounted Horizontal (IMB3) | Ins. Cl.: Standard Class H Insulation | Motor Prot.: A: No Winding Protection | NEMA Des.: B | S.F.: 1.15 |
| Mtr. WT: 2,598 | | Temp. Rise Cl.: B | Amb. Temp.: + 40 to °C @1000 m | kVA: G | IP 55 |

Mechanical data


| | | | | | | | | | |
|--------------------------------------|---------------------------|------|------|--------------|------|------|-----------------------|-------------------------|------------------------------|
| Sound level (SPL / SWL) at 60 Hz | 84.0 dB(A) / 96.0 dB(A) | | | | | | | Thickener | Polyurea |
| Octave Band Center Frequencies Hertz | | | | | | | | Safe Stall Time Hot | 25 s |
| | 250 | 500 | 1000 | 2000 | 4000 | 8000 | Hz | Safe Stall Time Cold | 32 s |
| SPL@3 | 72.0 | 79.0 | 80.0 | 76.0 | 66.0 | 58.0 | dB(A) | Frame material | Cast iron |
| Moment of inertia | 77.2 Lb-ft ² | | | | | | | Color, paint shade | RAL 7030 |
| Ext Load Inertia Capability: | 1370.0 Lb ft ² | | | | | | | Coating (paint finish) | Standard Alkyed + Epoxy (C2) |
| Bearings | | | | | | | | Ventilation Type | |
| Bearing DE NDE | 6320 Z C3 S0 | | | 6315 Z C3 S0 | | | Method of cooling | TEFC | |
| Bearing_Type | Ball Bearing | | | Ball Bearing | | | Direction of rotation | Bi-Directional | |
| AFBMA: | 100BC03JP3 | | | 75BC03JP3 | | | Fan Material | Polypropylene ESD | |
| Grease | | | | | | | | VFD | CT: 4:1 VT: 20:1 |
| Capacity | 15 oz | | | 15 oz | | | Space heaters | without | |
| Grease Type: | Exxon Mobil EM | | | | | | | Brake: | -/- |

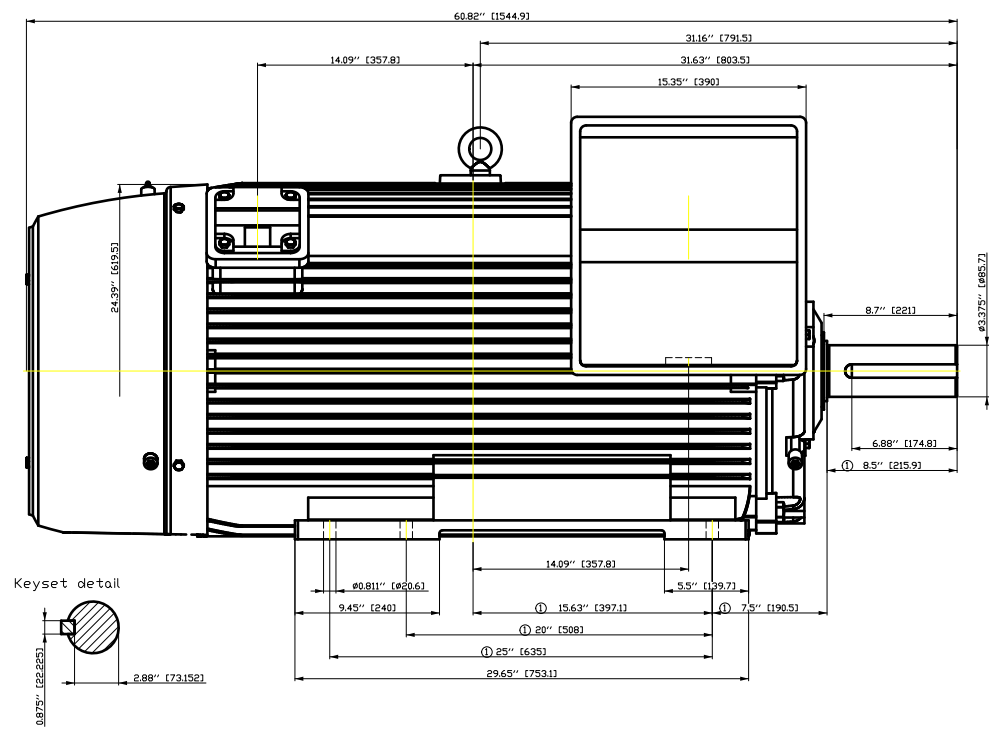
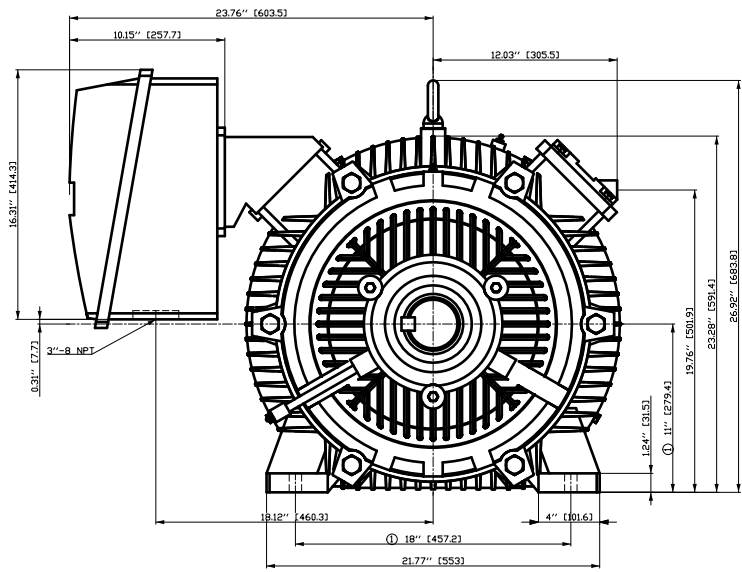
Terminal box

| | | | | | | | |
|----------------------|-------------------------------|-----|-----|--------------------|----------|--------------------------|--|
| Lead Wire Connection | 3 TERMINAL - Connection DELTA | | | | | Terminal box position | (1) LHS Mount - View From DE (F-1) - DE or Center of Motor |
| Voltage | L1 | L1 | L1 | Connected together | | Material of terminal box | Cast Iron |
| --- | --- | --- | --- | --- | - | Cable entry | (1) 4" NPT |
| RUN | T1 | T2 | T3 | --- | Δ | | |

| | | | | | | | |
|---|--|--|--|--|--|--|--|
| Notes: | | | | | | | |
| I _r /I _N = locked rotor current / current nominal | | | | 3) Value is valid only for DOL operation with motor design IC411 | | | |
| M _r /M _N = locked rotor torque / torque nominal | | | | 2) at rated power / at full load | | | |
| M _b /M _N = break down torque / nominal torque | | | | | | | |

| | | | | | | | |
|------------------|---------------------|-----------------|-------------|--|--|--|--|
| responsible dep. | technical reference | created by | approved by | <i>Technical data are subject to change! There may be discrepancies between software and hardware versions</i> | | | |
| DI MC LVM | | DT Configurator | | | | | |

| | | | | | |
|--|--------------------|------------------|----------|----------|--|
|  | document type | document status | | customer | |
| | datasheet | released | | | |
| | title | document number | | | |
| | 1LE6322-4DB11-3AA1 | | | | |
| © Siemens AG 2022 | rev. | creation date | language | Page | |
| | 01 | 2022-04-09 01:31 | en | 1/1 | |



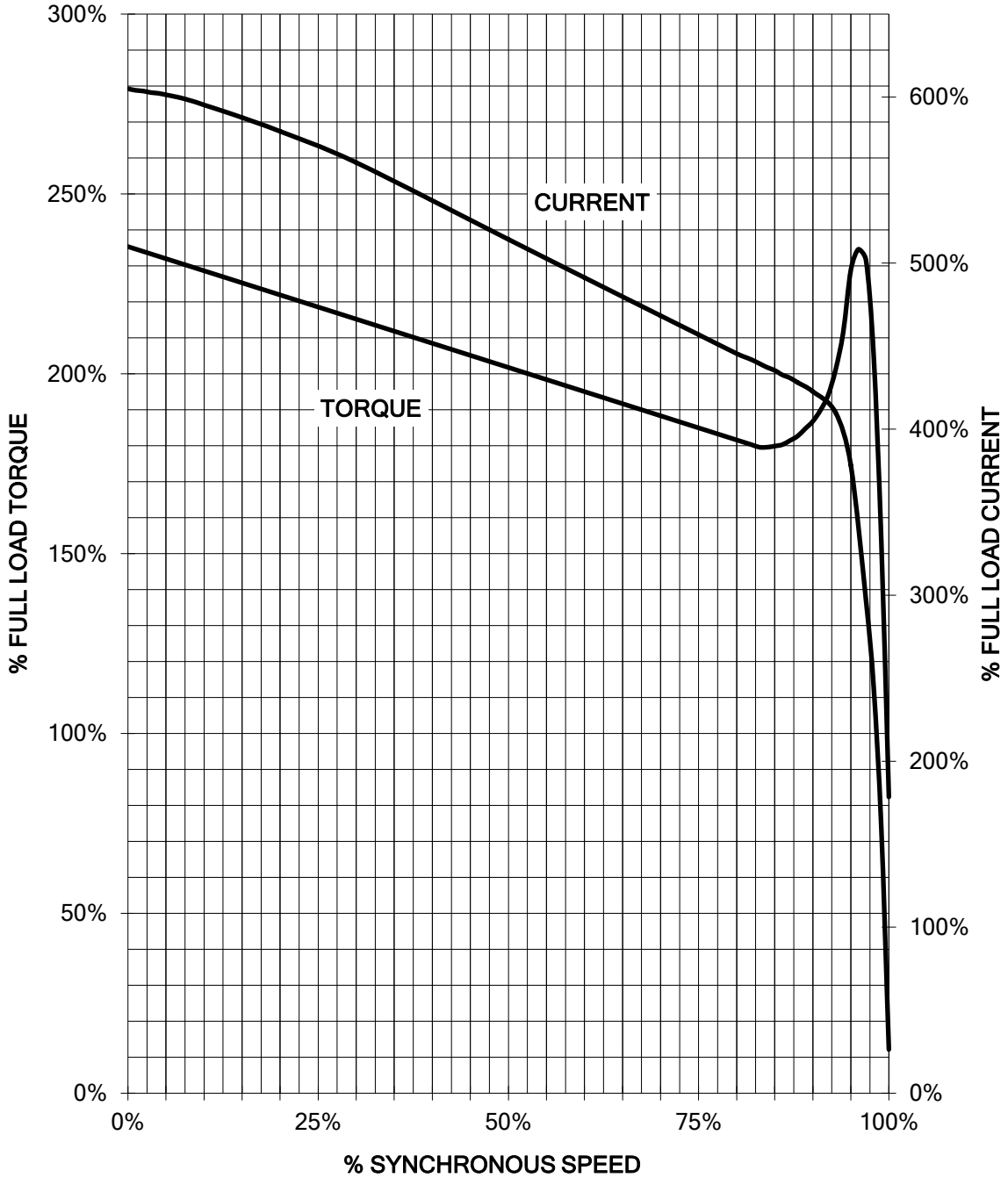
① Tolerances according to NEMA std.
 All dimensions corresponding to assemblies and castings shall have a tolerance as per ISO 8062-3 DCTG 12.

| | | | | |
|-------------------------|---|-------------------|----------------------------------|---|
| Tolerance | Surface | Material | Weight E | Scale 1:1 |
| F50I HGGE ÖOFFHGEF E | Author Creator Approval Department Change Order | ÖS Tae: ^@~}* | | |
| SIEMENS | Doc. State Revision | I EGG Index RS | MFB | Doc. Type Paper Size 1st Language 2nd Language |
| | © Siemens AG 2018 | Project No. E | Item No. Doc No. Ref No. E | CH ^ â^ F of F |

SIEMENS INDUSTRY, INC.

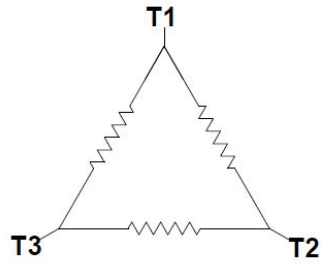
HP 350 VOLTS 460 RPM 1785 TYPE SD200
HZ 60 PHASE 3 FRAME 449T NEMA B

TORQUE & CURRENT VS. SPEED




Unrestricted CUSTOMER: _____ ORDER#: _____

Main terminal diagram

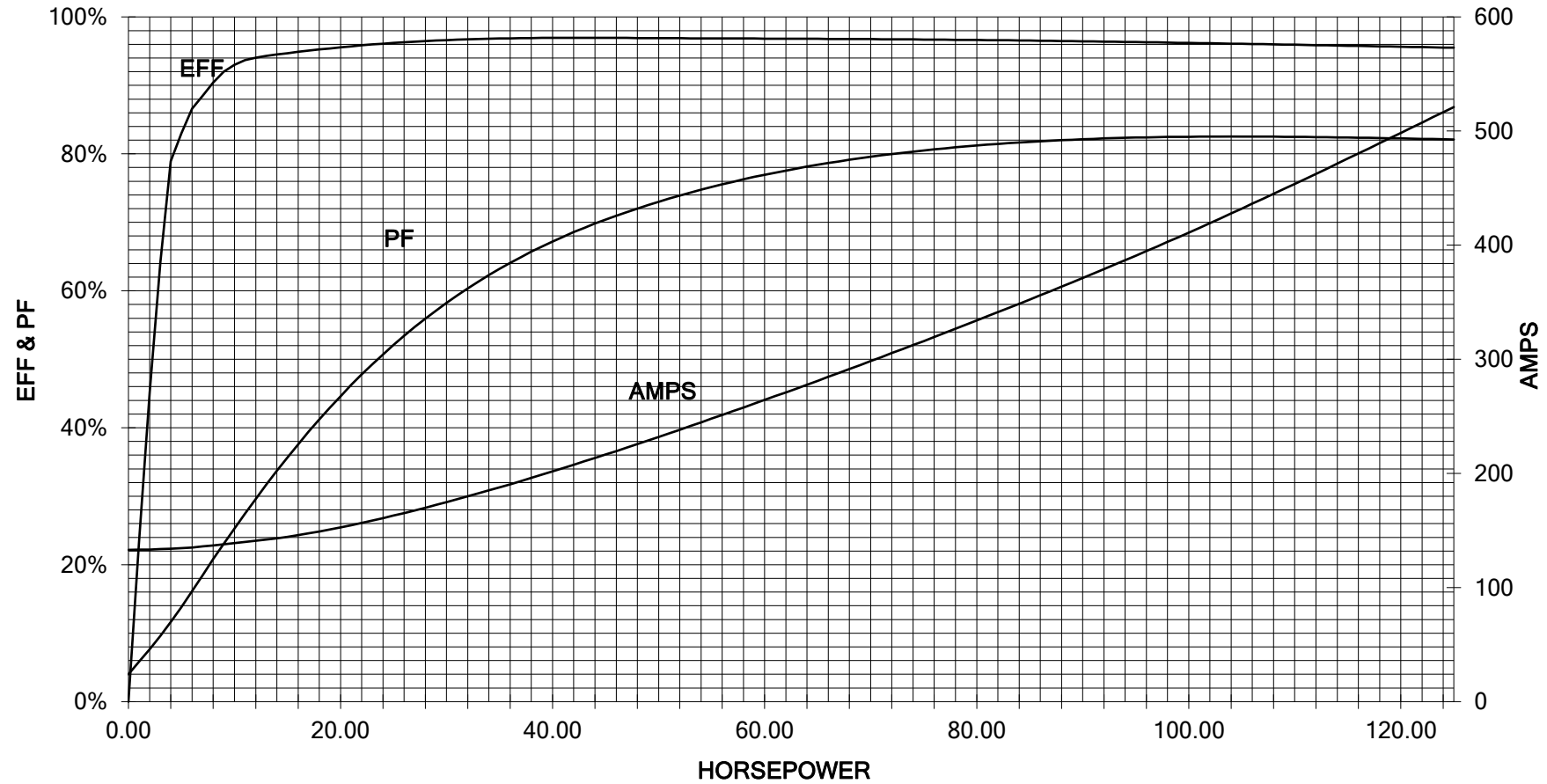


| 3 LEAD DELTA | | | |
|--------------|----|----|-------|
| LINES | | | CONN. |
| L1 | L2 | L3 | |
| T1 | T2 | T3 | Δ |

| | | | | | | |
|--|---------------------------------|------------|-------------------------|-----------------------------|----------------|-------------|
| responsible dep. DI MC LVM | technical reference | created by | approved by | Project | | |
|  | document type Wiring Diagram | | document status free | | customer | |
| | title 1LE6322-4DB11-3AA1 | | document number | | | |
| © Siemens AG 2019 | | | rev. 01 | creation date 12/03/2019 | language en | Page 1/1 |

350 HP 1800 RPM 449T FRAME 460 VOLTS 3 PHASE NEMA DESIGN B

SIEMENS INDUSTRY, INC.
PERFORMANCE CURVE
SD200



Unrestricted CUSTOMER _____ ORDER # _____ PO # _____

PERFORMANCE BASED ON DESIGN CALCULATIONS. SUBJECT TO CHANGE WITHOUT NOTICE.

REV. 1

2

1

3 PHASE - 3 LEADS - DELTA

| | | | |
|----|----|----|-------|
| L1 | L2 | L3 | CONN. |
| T1 | T2 | T3 | △ |



B

B

A

A

THIS IS A CAD DRAWING
DO NOT MAKE MANUAL CHANGES

01 | 09-27-07

TYPE

-CONFIDENTIAL-

PROPERTY OF

Siemens Energy & Automation, Inc.
Industrial Motor Division - Little Rock, AR

FRAME

HP

NAME

WIRING DIAGRAM

VOLTS

RPM

HZ

PH

3

Customer

DRAWN 9.24.07

DATE JRH

CHECKED

DATE

APP

DATE

SHEET

1 OF 1

Sim. To

PART NO.

51-382-114-504

A

2

1