

# Data sheet for three-phase Squirrel-Cage-Motors SIMOTICS

Motor type: **SD200 NEMA Premium 841** FS: 447TS - 2p - 200 hp -

Client order no.	Item-No.	Offer no.
Order no.	Consignment no.	Project
Remarks		

**Electrical data** **Class I Division 2 Gr. A, B, C or D T3 Class II**  
**Division 2 Gr. F or G T3C**

U [V]	$\Delta/Y$	f [Hz]	P [HP]	P [kW]	n [rpm]	I Load [Amps]					Nom. Eff Load [%]			Pwr. Factor Load [%]			Torque [lb-ft]	T <sub>A</sub> /T <sub>N</sub> LRT [%]	T <sub>k</sub> /T <sub>N</sub> BDT [%]
						4/4	3/4	1/2	0	LRC	4/4	3/4	2/4	4/4	3/4	2/4			
575	$\Delta$	60	200.00	149.20	3,570	180	140.00	104.10	60.00	1160.0	96.2	96.2	95.8	86.5	83.4	75.1	294.0	160	280

Frame Type: 447TS	Type of constr.: (A) Foot Mounted Horizontal (IMB3)	Ins. Cl.: Standard Class H Insulation	Motor Prot.: A: No Winding Protection	NEMA Des.: B	S.F.: 1.15
Mtr. WT: 1,764		Temp. Rise Cl.: B	Amb. Temp.: + 40 to °C @1000 m	kVA: G	IP 55

**Mechanical data**

Sound level (SPL / SWL) at 60 Hz	84.0 dB(A) / 95.0 dB(A)							Thickener	Polyurea
Octave Band Center Frequencies Hertz								Safe Stall Time Hot	25 s
	250	500	1000	2000	4000	8000	Hz	Safe Stall Time Cold	20 s
SPL@3	77.0	80.0	77.0	75.0	68.0	63.0	dB(A)	Frame material	Cast iron
Moment of inertia	27.0 Lb-ft <sup>2</sup>							Color, paint shade	RAL 7030
Ext Load Inertia Capability:	172.0 Lb ft <sup>2</sup>							Coating (paint finish)	Standard Alkyed + Epoxy (C2)
<b>Bearings</b>								<b>Ventilation Type</b>	
Bearing DE   NDE	6315 Z C3 S0			6315 Z C3 S0			Method of cooling	TEFC	
Bearing_Type	Ball Bearing			Ball Bearing			Direction of rotation	Bi-Directional	
AFBMA:	75BC03JP3			75BC03JP3			Fan Material	Polypropylene ESD	
<b>Grease</b>								VFD	CT: 4:1 VT: 20:1
Capacity	15 oz			15 oz			Space heaters	without	
Grease Type:	Exxon Mobil EM							Brake:	-/-

**Terminal box**

Lead Wire Connection	3 TERMINAL - Connection DELTA					Terminal box position	(1) LHS Mount - View From DE (F-1) - DE or Center of Motor
Voltage	L1	L1	L1	Connected together		Material of terminal box	Cast Iron
---	---	---	---	---	-	Cable entry	(1) 3" NPT
RUN	T1	T2	T3	---	$\Delta$		

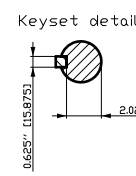
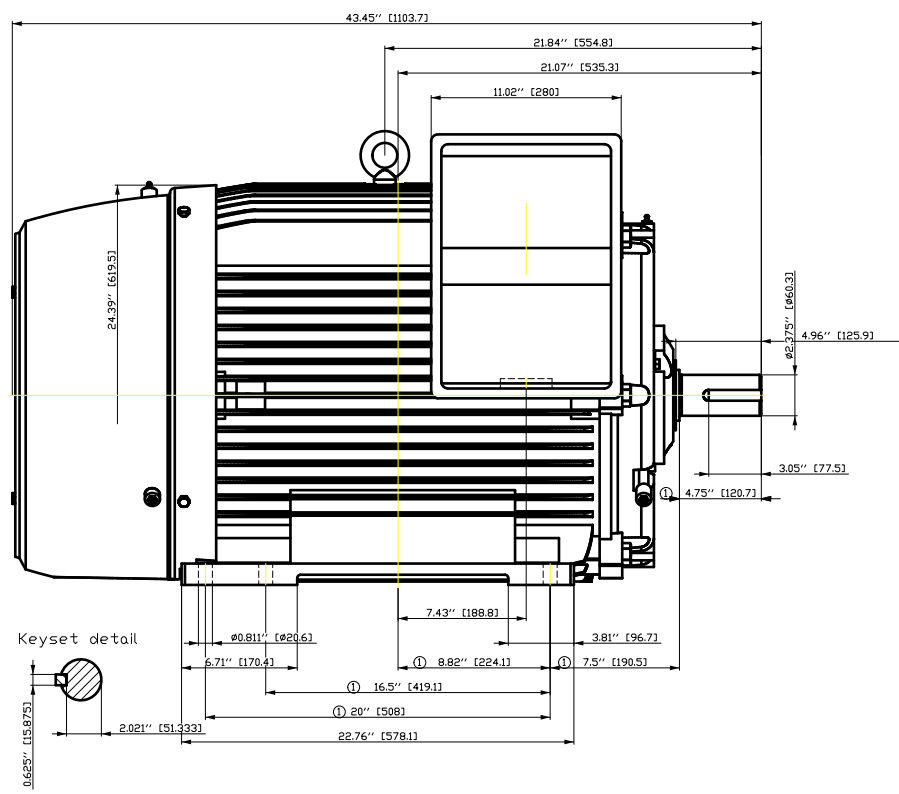
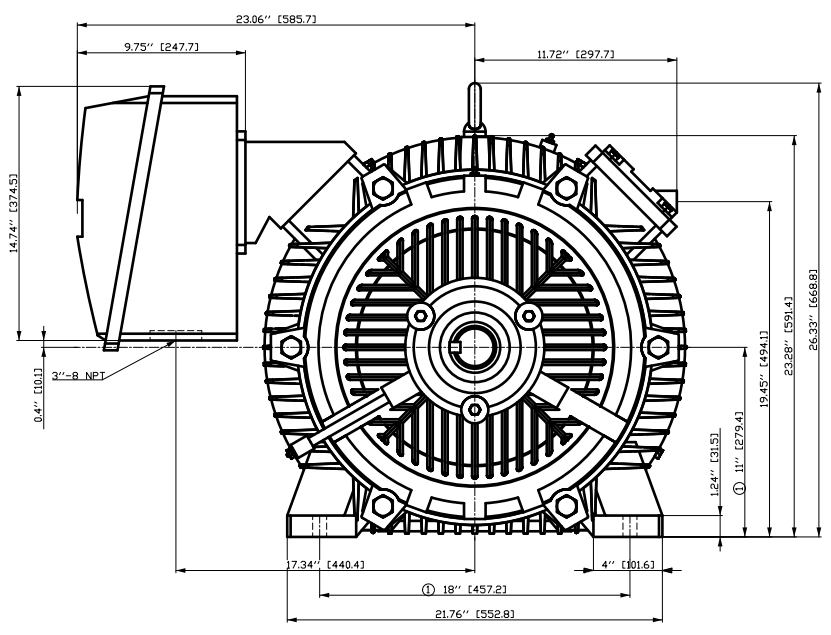
**Notes:**

I<sub>L</sub>/I<sub>N</sub> = locked rotor current / current nominal  
M<sub>L</sub>/M<sub>N</sub> = locked rotor torque / torque nominal  
M<sub>d</sub>/M<sub>N</sub> = break down torque / nominal torque

3) Value is valid only for DOL operation with motor design IC411  
2) at rated power / at full load

responsible dep.	technical reference	created by	approved by	<i>Technical data are subject to change! There may be discrepancies between software and customer interface</i>
DI MC LVM		DT Configurator		

	document type	document status	customer	
	datasheet	released		
	title	document number		
	1LE6322-4GA11-3AA1			
© Siemens AG 2022		rev.	creation date	language Page
		01	2022-04-09 01:37	en 1/1



① Tolerances according to NEMA std.  
 All dimensions corresponding to assemblies and castings shall have a tolerance as per ISO 8062-3 DCTG 12.

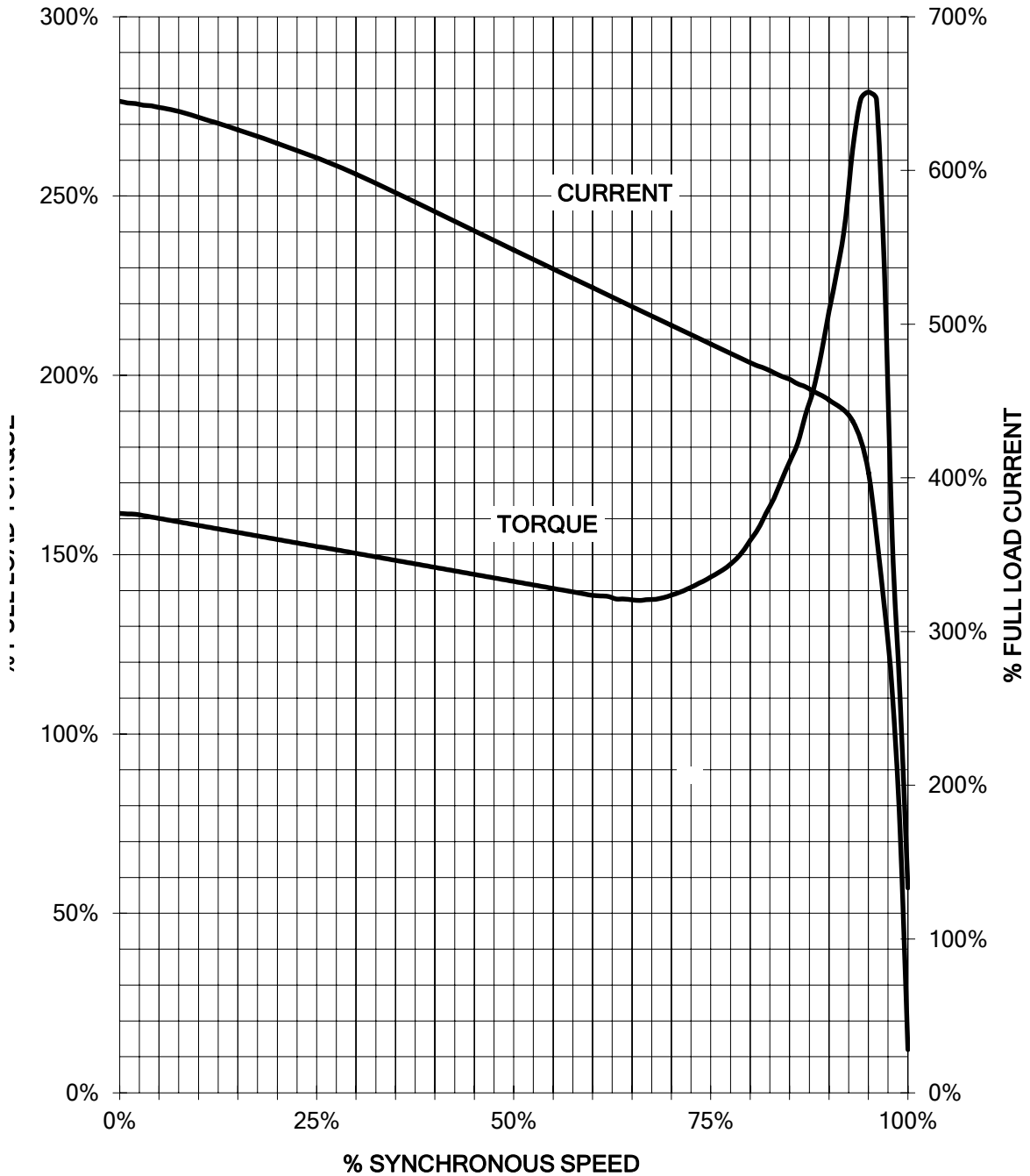
Tolerance	Surface	Material	Weight	Scale
F50I HGGE ÖCFFBÖEF E	Author Creator Approval Department Change Order	ÖS Tæ: ^æ@`)*	E	{ {
 © Siemens AG 2018	Doc. State	Item No	Doc Type	Paper Size
	Revision	Index	Doc No	1st Language
	Project No	E	Ref No	2nd Language
				Sheet

刀...  
 用...  
 文...  
 金...  
 属...  
 部...  
 件...  
 图...  
 纸...  
 说...  
 明...  
 书...  
 第...  
 一...  
 版...  
 第...  
 一...  
 次...  
 修...  
 订...  
 后...  
 所...  
 有...  
 修...  
 改...  
 均...  
 以...  
 本...  
 图...  
 纸...  
 说...  
 明...  
 书...  
 为...  
 准...  
 则...  
 所...  
 有...  
 修...  
 改...  
 均...  
 以...  
 本...  
 图...  
 纸...  
 说...  
 明...  
 书...  
 为...  
 准...  
 则...

# SIEMENS INDUSTRY, INC.

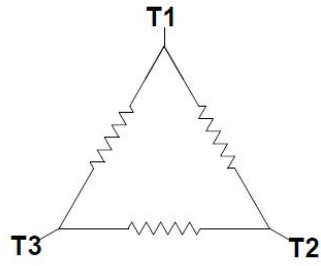
HP 200 VOLTS 460 RPM 3570 TYPE SD200  
HZ 60 PHASE 3 FRAME 447T NEMA B

## TORQUE & CURRENT VS. SPEED




Unrestricted CUSTOMER: \_\_\_\_\_ ORDER#: \_\_\_\_\_

Main terminal diagram

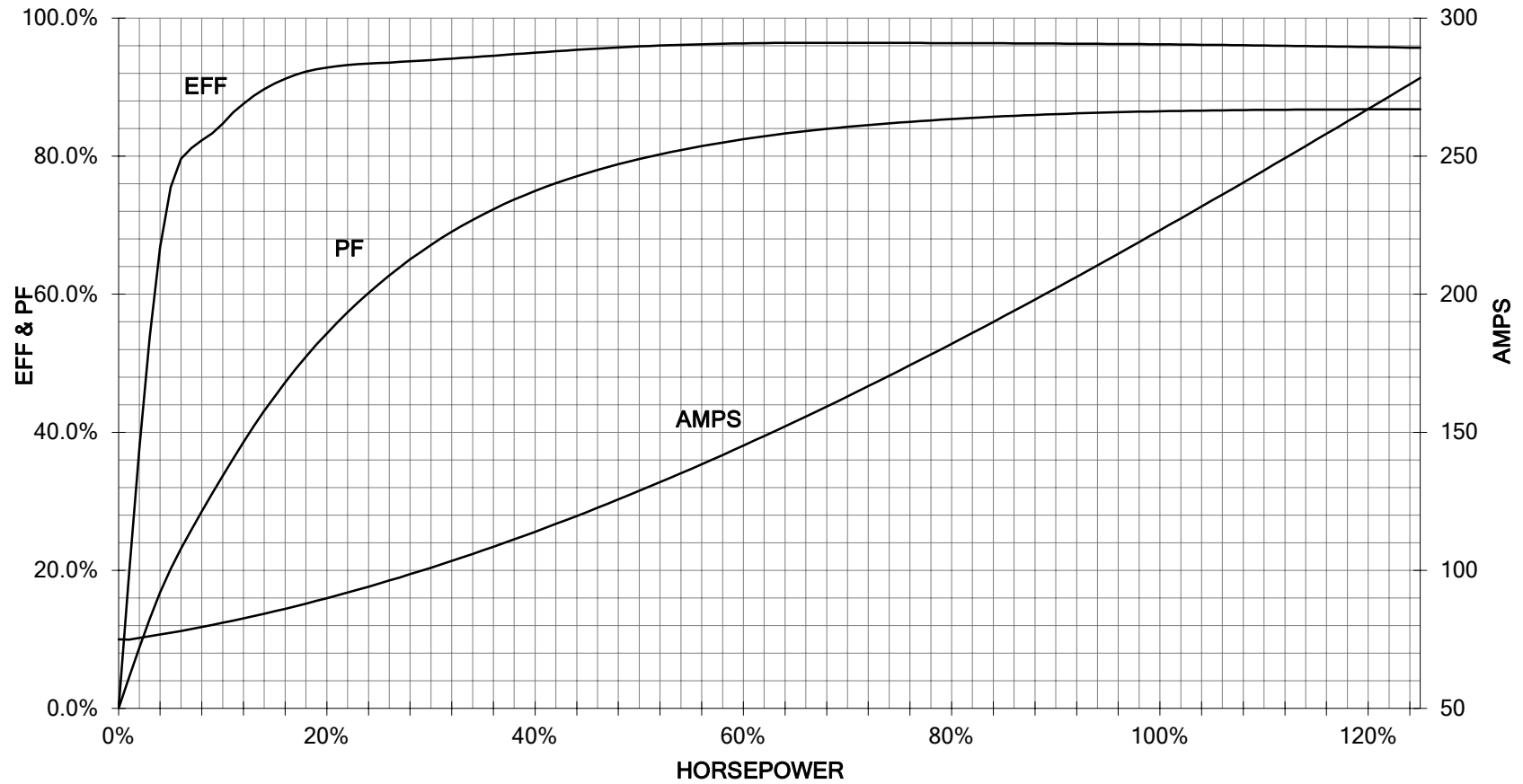


3 LEAD DELTA			
LINES			CONN.
L1	L2	L3	
T1	T2	T3	Δ

responsible dep. DI MC LVM	technical reference	created by	approved by	Project		
	document type Wiring Diagram		document status free		customer	
	title 1LE6322-4GA11-3AA1		document number			
© Siemens AG 2019			rev. 01	creation date 12/03/2019	language en	Page 1/1

200 HP 3600 RPM 447T FRAME 460 VOLTS 3 PHASE NEMA DESIGN B

SIEMENS INDUSTRY, INC.  
PERFORMANCE CURVE  
SD200



CUSTOMER: \_\_\_\_\_ ORDER #: \_\_\_\_\_

PERFORMANCE BASED ON DESIGN CALCULATIONS. SUBJECT TO CHANGE WITHOUT NOTICE.

REV. 1

2

1

### 3 PHASE - 3 LEADS - DELTA

L1	L2	L3	CONN.
T1	T2	T3	△



B

B

A

A

THIS IS A CAD DRAWING  
DO NOT MAKE MANUAL CHANGES

01 | 09-27-07

TYPE

-CONFIDENTIAL-

PROPERTY OF

Siemens Energy & Automation, Inc.  
Industrial Motor Division - Little Rock, AR

FRAME

HP

NAME

WIRING DIAGRAM

VOLTS

RPM

HZ

PH

3

Customer

DRAWN 9.24.07

DATE JRH

CHECKED

DATE

APP

DATE

SHEET

1 OF 1

Sim. To

PART NO.

51-382-114-504

A

2

1