

Data sheet for three-phase Squirrel-Cage-Motors SIMOTICS

Motor type: **SD200 NEMA Premium 841** FS: L449TS - 2p - 400 hp -

Client order no.	Item-No.	Offer no.
Order no.	Consignment no.	Project
Remarks		

Electrical data **Class I Division 2 Gr. A, B, C or D T2D Class II**
Division 2 Gr. F or G T3C

U [V]	Δ/Y	f [Hz]	P [HP]	P [kW]	n [rpm]	I Load [Amps]					Nom. Eff Load [%]			Pwr. Factor Load [%]			Torque [lb-ft]	T _A /T _N LRT [%]	T _k /T _N BDT [%]
						4/4	3/4	1/2	0	LRC	4/4	3/4	2/4	4/4	3/4	2/4			
575	Δ	60	400.00	298.40	3,570	345.6	262.80	186.60	88.80	2320.0	96.2	96.2	95.7	90.0	88.9	83.9	586.0	170	300
Frame Type: L449TS		Type of constr.: (A) Foot Mounted Horizontal (IMB3)				Ins. Cl.: Standard Class H Insulation		Motor Prot.: A: No Winding Protection			NEMA Des.: B		S.F.: 1.15						
Mtr. WT: 2,863						Temp. Rise Cl.: B		Amb. Temp.: + 40 to °C @1000 m			kVA: G		IP 55						

Mechanical data


Sound level (SPL / SWL) at 60 Hz	79.0 dB(A) / 91.0 dB(A)							Thickener	Polyurea
Octave Band Center Frequencies Hertz								Safe Stall Time Hot	25 s
	250	500	1000	2000	4000	8000	Hz	Safe Stall Time Cold	24 s
SPL@3	58.0	62.0	78.0	74.0	57.0	50.0	dB(A)	Frame material	Cast iron
Moment of inertia	49.0 Lb-ft ²							Color, paint shade	RAL 7030
Ext Load Inertia Capability:	315.0 Lb ft ²							Coating (paint finish)	Standard Alkyed + Epoxy (C2)
Bearings								Ventilation Type	
Bearing DE NDE	6315 Z C3 S0			6315 Z C3 S0			Method of cooling	TEFC	
Bearing_Type	Ball Bearing			Ball Bearing			Direction of rotation	Bi-Directional	
AFBMA:	75BC03JP3			75BC03JP3			Fan Material	Polypropylene ESD	
Grease								VFD	CT: 4:1 VT: 20:1
Capacity	15 oz			15 oz			Space heaters	without	
Grease Type:	Exxon Mobil EM							Brake:	-/-

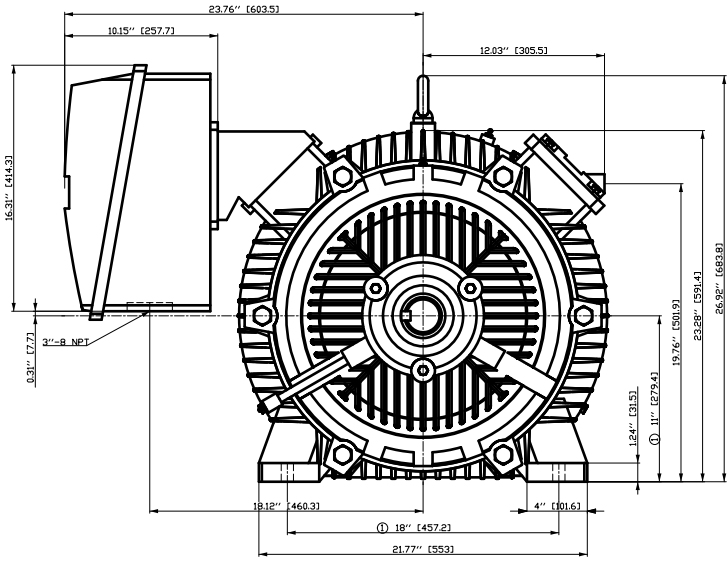
Terminal box

Lead Wire Connection				3 TERMINAL - Connection DELTA		Terminal box position	(1) LHS Mount - View From DE (F-1) - DE or Center of Motor		
Voltage	L1	L1	L1	Connected together		Material of terminal box	Cast Iron		
---	---	---	---	---	-	Cable entry	(1) 4" NPT		
RUN	T1	T2	T3	---	Δ				

Notes:

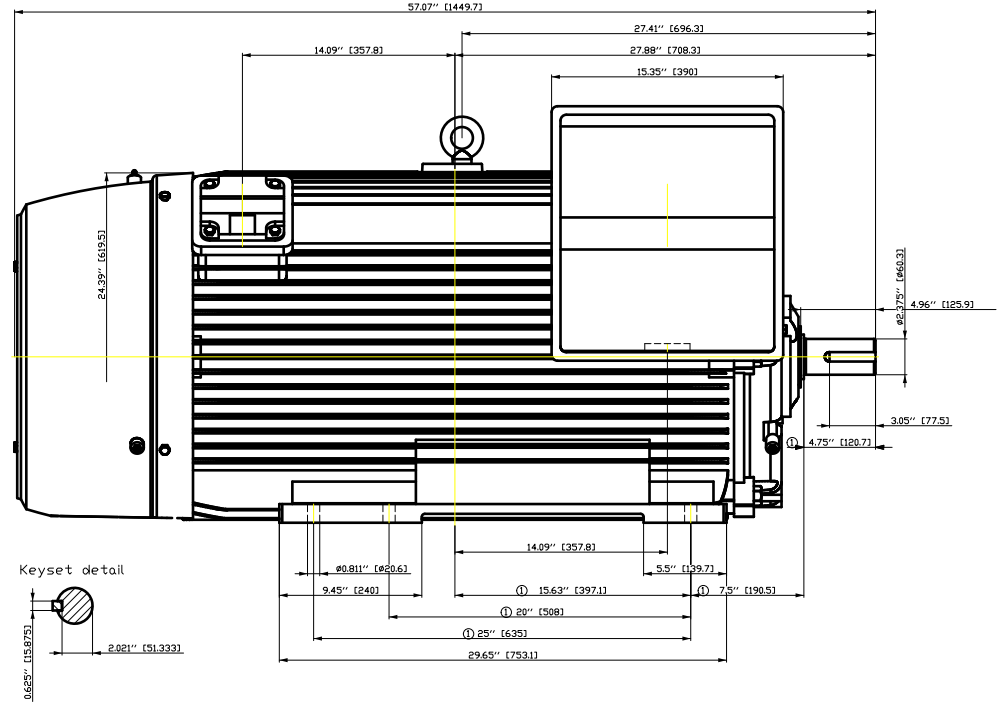
I_L/I_N = locked rotor current / current nominal
M_L/M_N = locked rotor torque / torque nominal
M_k/M_N = break down torque / nominal torque
3) Value is valid only for DOL operation with motor design IC411
2) at rated power / at full load

responsible dep. DI MC LVM	technical reference	created by DT Configurator	approved by	<i>Technical data are subject to change! There may be discrepancies between software and customer interface</i>			
	document type datasheet	document status released		customer			
	title 1LE6322-4HA21-3AA1	document number					
© Siemens AG 2022	rev. 01	creation date 2022-04-09 01:44	language en	Page 1/1			

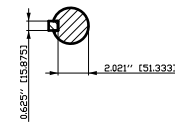


① Tolerances according to NEMA std.

All dimensions corresponding to assemblies and castings shall have a tolerance as per ISO 8062-3 DCTG 12.



Keyset detail

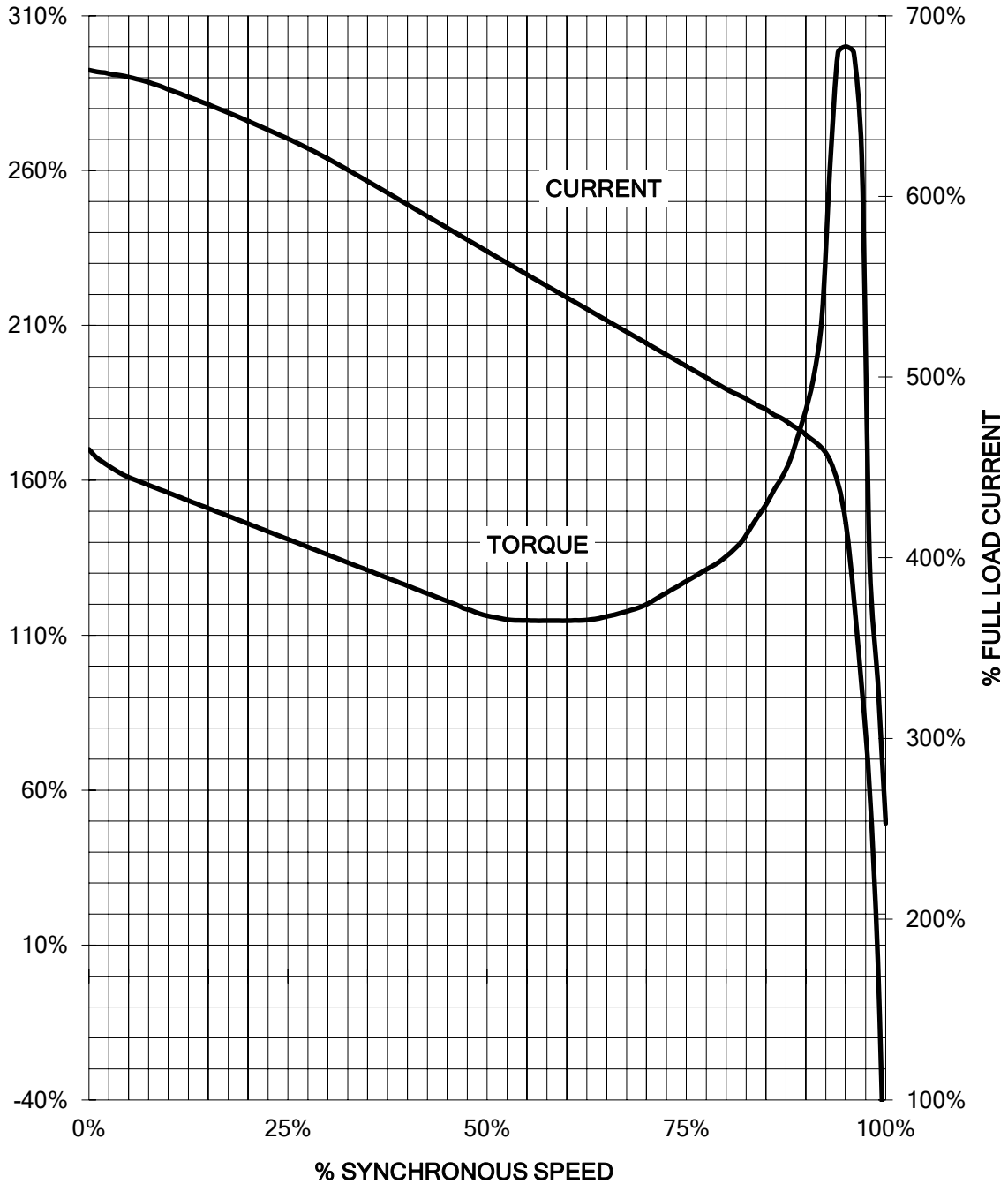


Tolerance	Surface	Material	Weight	Scale
F50I HGCE P OIG F H ODF E	Author Creator Approval Department Change Order	ÖS T æ : ^ & @ } *	E	{ {
SIEMENS	Doc. State Revision	MFB Item No Doc No	Doc Type	Paper Size
© Siemens AG 2018	Index RS	1 E B B G	OH	1st Language 2nd Language
	Project No	E	Ref No	E
				Sheet F of F

SIEMENS INDUSTRY, INC.

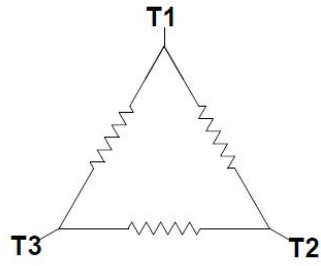
HP 400 VOLTS 460 RPM 3570 TYPE SD200
HZ 60 PHASE 3 FRAME 449T NEMA B

TORQUE & CURRENT VS. SPEED




Unrestricted CUSTOMER: _____ ORDER#: _____

Main terminal diagram

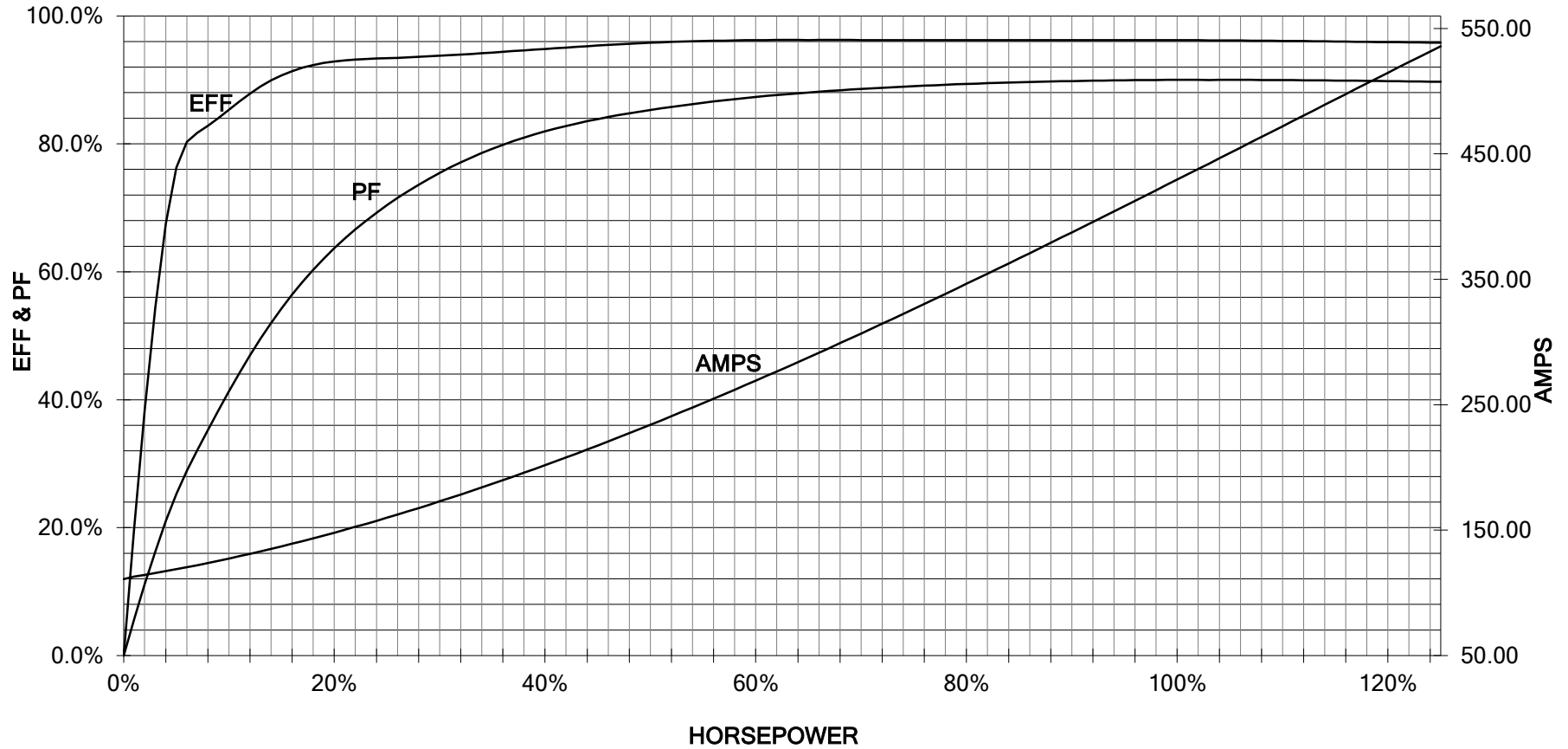


3 LEAD DELTA			
LINES			CONN.
L1	L2	L3	
T1	T2	T3	Δ

responsible dep. DI MC LVM	technical reference	created by	approved by	Project		
	document type Wiring Diagram		document status free		customer	
	title 1LE6322-4HA21-3AA1		document number			
© Siemens AG 2019			rev. 01	creation date 12/03/2019	language en	Page 1/1

400 HP 3600 RPM 449T FRAME 460 VOLTS 3 PHASE NEMA DESIGN B

SIEMENS INDUSTRY, INC.
PERFORMANCE CURVE
SD200



CUSTOMER: _____ ORDER #: _____

PERFORMANCE BASED ON DESIGN CALCULATIONS. SUBJECT TO CHANGE WITHOUT NOTICE.

REV. 1

2

1

3 PHASE - 3 LEADS - DELTA

L1	L2	L3	CONN.
T1	T2	T3	△



B

B

A

A

THIS IS A CAD DRAWING
DO NOT MAKE MANUAL CHANGES

01 | 09-27-07

TYPE

-CONFIDENTIAL-

PROPERTY OF

Siemens Energy & Automation, Inc.
Industrial Motor Division - Little Rock, AR

FRAME

HP

NAME

WIRING DIAGRAM

VOLTS

RPM

HZ

PH

3

Customer

DRAWN 9.24.07

DATE JRH

CHECKED

DATE

APP

DATE

SHEET

1 OF 1

Sim. To

PART NO.

51-382-114-504

A

2

1