

# Data sheet for three-phase Squirrel-Cage-Motors SIMOTICS

Motor type: SD200 NEMA Premium 841 FS: L449TS - 4p - 350 hp -

Client order no.	Item-No.	Offer no.
Order no.	Consignment no.	Project
Remarks		

**Electrical data** **Class I Division 2 Gr. A, B, C or D T2D Class II**  
**Division 2 Gr. F or G T3C**

U [V]	$\Delta/Y$	f [Hz]	P [HP]	P [kW]	n [rpm]	I Load [Amps]					Nom. Eff Load [%]			Pwr. Factor Load [%]			Torque [lb-ft]	T <sub>A</sub> /T <sub>N</sub> LRT [%]	T <sub>k</sub> /T <sub>N</sub> BDT [%]
						4/4	3/4	1/2	0	LRC	4/4	3/4	2/4	4/4	3/4	2/4			
460	$\Delta$	60	350.00	261.10	1,785	421	331.80	252.20	156.00	2550.0	96.2	96.2	96.1	81.0	77.0	67.6	1028.0	235	235

Frame Type: L449TS	Type of constr.: (A) Foot Mounted Horizontal (IMB3)	Ins. Cl.: Standard Class H Insulation	Motor Prot.: A: No Winding Protection	NEMA Des.: B	S.F.: 1.15
Mtr. WT: 2,598		Temp. Rise Cl.: B	Amb. Temp.: + 40 to °C @1000 m	kVA: G	IP 55

**Mechanical data**

Sound level (SPL / SWL) at 60 Hz	84.0 dB(A) / 958.0 dB(A)	Thickener	Polyurea						
Octave Band Center Frequencies Hertz		Safe Stall Time Hot	25 s						
250	500	1000	2000	4000	8000	Hz	Safe Stall Time Cold	32 s	
SPL@3	723.0	787.0	803.0	764.0	662.0	583.0	dB(A)	Frame material	Cast iron
Moment of inertia	77.2 Lb-ft <sup>2</sup>	Color, paint shade	RAL 7030						
Ext Load Inertia Capability:	1370.0 Lb ft <sup>2</sup>	Coating (paint finish)	Standard Alkyed + Epoxy (C2)						
<b>Bearings</b>		<b>Ventilation Type</b>							
Bearing DE   NDE	6315 Z C3 S0	6315 Z C3 S0	Method of cooling	TEFC					
Bearing_Type	Ball Bearing	Ball Bearing	Direction of rotation	Bi-Directional					
AFBMA:	75BC03JP3	75BC03JP3	Fan Material	Polypropylene ESD					
<b>Grease</b>		VFD	CT: 4:1 VT: 20:1						
Capacity	15 oz	15 oz	Space heaters	without					
Grease Type:	Exxon Mobil EM	Brake:	-/-						

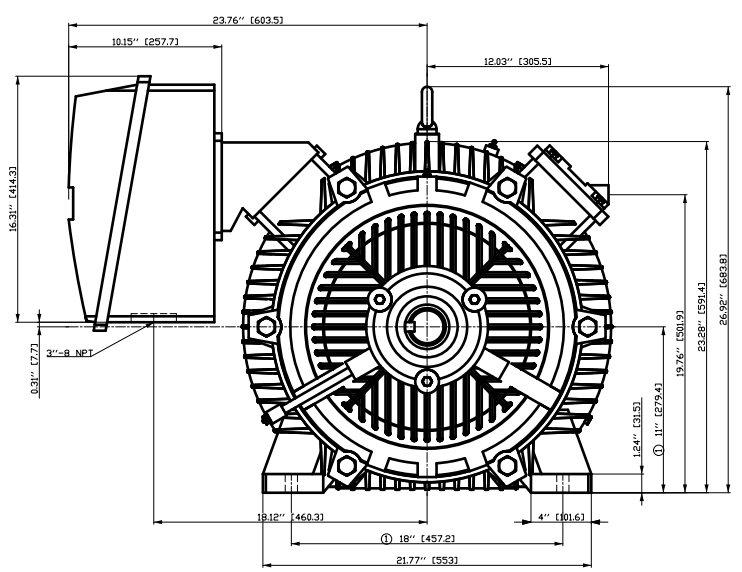
**Terminal box**

Lead Wire Connection	3 TERMINAL - Connection DELTA	Terminal box position	(1) LHS Mount - View From DE (F-1) - DE or Center of Motor
Voltage	L1 L1 L1 Connected together	Material of terminal box	Cast Iron
---	---	Cable entry	(1) 4" NPT
RUN	T1 T2 T3 --- $\Delta$		

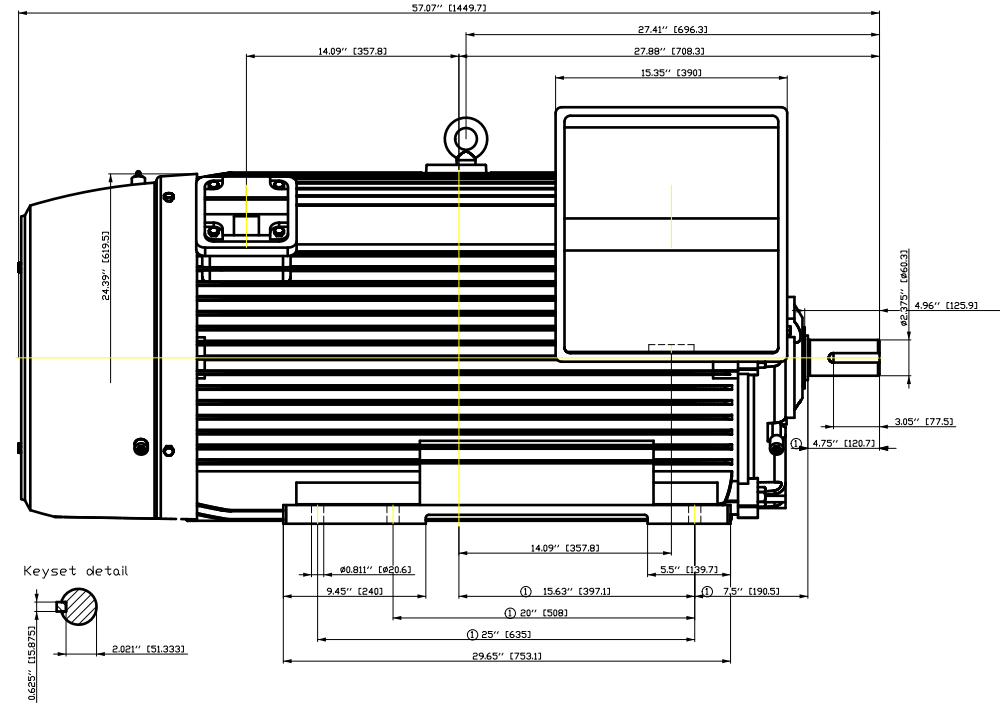
<b>Notes:</b>	
I <sub>L</sub> /I <sub>N</sub> = locked rotor current / current nominal	3) Value is valid only for DOL operation with motor design IC411
M <sub>L</sub> /M <sub>N</sub> = locked rotor torque / torque nominal	2) at rated power / at full load
M <sub>B</sub> /M <sub>N</sub> = break down torque / nominal torque	

responsible dep.	technical reference	created by	approved by	<i>Technical data are subject to change! There may be discrepancies between software and hardware versions</i>
DI MC LVM		DT Configurator		

	document type	document status	customer	
	datasheet	released		
	title	document number		
	1LE6322-4HB11-2AA1			
© Siemens AG 2022		rev.	creation date	language Page
		01	2022-04-09 01:45	en 1/1



① Tolerances according to NEMA std.  
 All dimensions corresponding to assemblies and castings shall have a tolerance as per ISO 8062-3 DCTG 12.



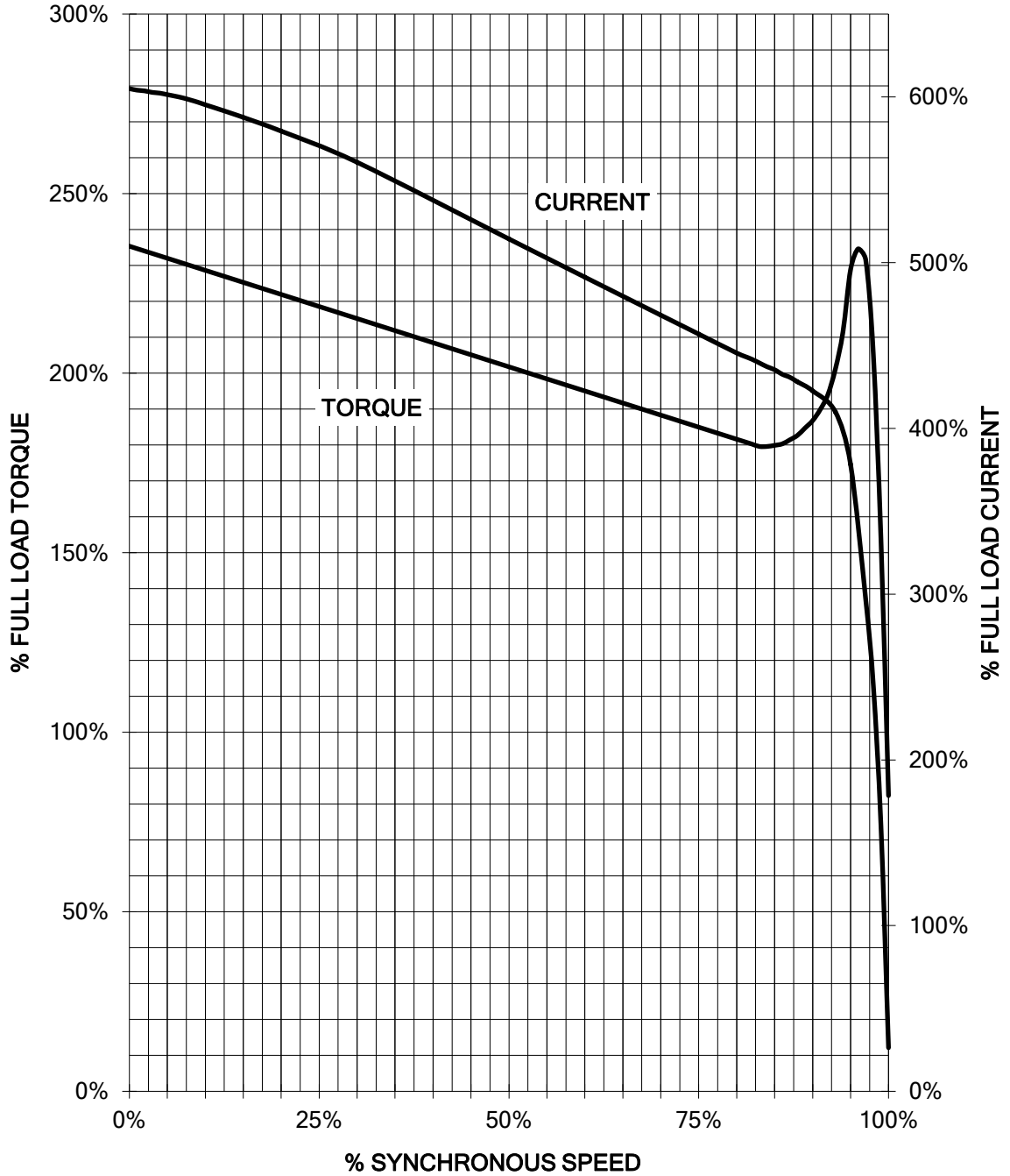
刀线管  
 用文全  
 积  
 01  
 02  
 03  
 04  
 05  
 06  
 07  
 08  
 09  
 10  
 11  
 12  
 13  
 14  
 15  
 16  
 17  
 18  
 19  
 20  
 21  
 22  
 23  
 24  
 25  
 26  
 27  
 28  
 29  
 30  
 31  
 32  
 33  
 34  
 35  
 36  
 37  
 38  
 39  
 40  
 41  
 42  
 43  
 44  
 45  
 46  
 47  
 48  
 49  
 50  
 51  
 52  
 53  
 54  
 55  
 56  
 57  
 58  
 59  
 60  
 61  
 62  
 63  
 64  
 65  
 66  
 67  
 68  
 69  
 70  
 71  
 72  
 73  
 74  
 75  
 76  
 77  
 78  
 79  
 80  
 81  
 82  
 83  
 84  
 85  
 86  
 87  
 88  
 89  
 90  
 91  
 92  
 93  
 94  
 95  
 96  
 97  
 98  
 99  
 100

Tolerance	Surface	Material	Weight	Scale
F501 HGCE PÓFFÉCOEF	Author	ÖVS	É	{ {
É	Creator	ÖVS		
	Approval	T æ : ^æ@ } *		
	Department			
	Change Order	MLFB		Doc Type
	Doc State	I EEEG		Paper Size CH
	Revision	Index RS		1st Language ^
				2nd Language â^
© Siemens AG 2018	Project No	É	Ref No	É
				Sheet F of F

# SIEMENS INDUSTRY, INC.

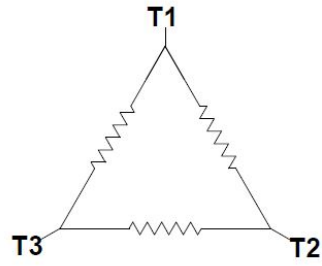
HP 350    VOLTS 460    RPM 1785    TYPE SD200  
HZ 60    PHASE 3    FRAME 449T    NEMA B

## TORQUE & CURRENT VS. SPEED




Unrestricted CUSTOMER: \_\_\_\_\_ ORDER#: \_\_\_\_\_

Main terminal diagram

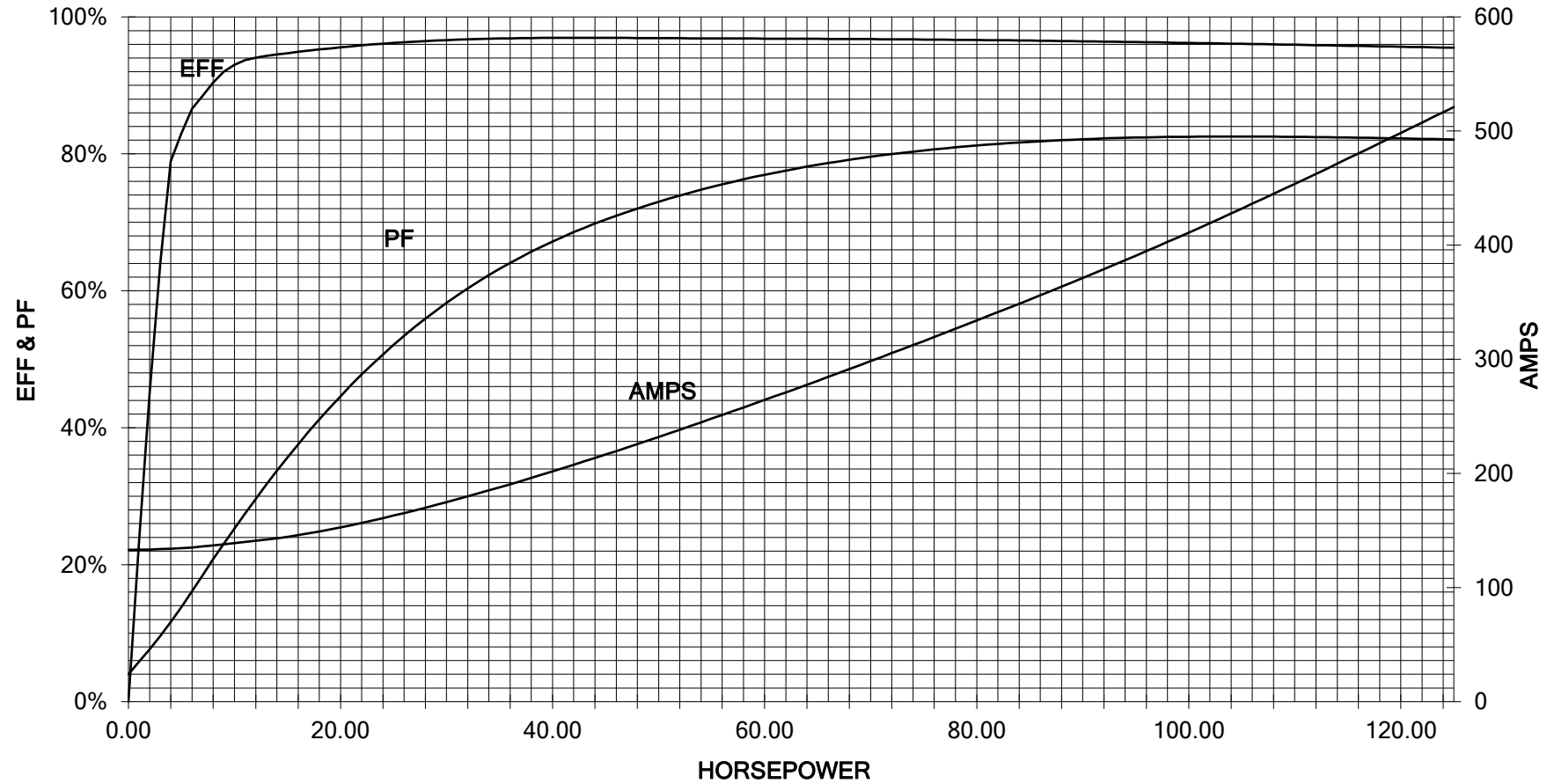


3 LEAD DELTA			
LINES			CONN.
L1	L2	L3	
T1	T2	T3	Δ

responsible dep. DI MC LVM	technical reference	created by	approved by	Project	
	document type Wiring Diagram		document status free		customer
	title 1LE6322-4HB11-2AA1		document number		
© Siemens AG 2019			rev. 01	creation date 12/03/2019	language en
				Page 1/1	

350 HP 1800 RPM 449T FRAME 460 VOLTS 3 PHASE NEMA DESIGN B

SIEMENS INDUSTRY, INC.  
PERFORMANCE CURVE  
SD200



Unrestricted CUSTOMER \_\_\_\_\_ ORDER # \_\_\_\_\_ PO # \_\_\_\_\_

PERFORMANCE BASED ON DESIGN CALCULATIONS. SUBJECT TO CHANGE WITHOUT NOTICE.

REV. 1

2

1

### 3 PHASE - 3 LEADS - DELTA

L1	L2	L3	CONN.
T1	T2	T3	△



B

B

A

A

THIS IS A CAD DRAWING  
DO NOT MAKE MANUAL CHANGES

01 | 09-27-07

TYPE

-CONFIDENTIAL-

PROPERTY OF

Siemens Energy & Automation, Inc.  
Industrial Motor Division - Little Rock, AR

FRAME

HP

NAME

WIRING DIAGRAM

VOLTS

RPM

HZ

PH

3

Customer

DRAWN 9.24.07

DATE JRH

CHECKED

DATE

APP

DATE

SHEET

1 OF 1

Sim. To

PART NO.

51-382-114-504

A

2

1