

Data sheet for three-phase Squirrel-Cage-Motors SIMOTICS

Motor type: **SD200 NEMA Premium 841** FS: **RL449T - 4p - 350 hp -**

Client order no.	Item-No.	Offer no.
Order no.	Consignment no.	Project
Remarks		

Electrical data **Class I Division 2 Gr. A, B, C or D T2D Class II**
Division 2 Gr. F or G T3C

U [V]	Δ/Y	f [Hz]	P [HP]	P [kW]	n [rpm]	I Load [Amps]					Nom. Eff Load [%]			Pwr. Factor Load [%]			Torque [lb-ft]	T _A /T _N LRT [%]	T _k /T _N BDT [%]
						4/4	3/4	1/2	0	LRC	4/4	3/4	2/4	4/4	3/4	2/4			
575	Δ	60	350.00	261.10	1,785	336.8	265.50	201.80	124.80	2040.0	96.2	96.2	96.1	81.0	77.0	67.6	1028.0	235	235

Frame Type: RL449T	Type of constr.: (A) Foot Mounted Horizontal (IMB3)	Ins. Cl.: Standard Class H Insulation	Motor Prot.: A: No Winding Protection	NEMA Des.: B	S.F.: 1.15
Mtr. WT: 2,642		Temp. Rise Cl.: B	Amb. Temp.: + 40 to °C @1000 m	kVA: G	IP 55

Mechanical data


Sound level (SPL / SWL) at 60 Hz	84.0 dB(A) / 958.0 dB(A)	Thickener	Polyurea
Octave Band Center Frequencies Hertz		Safe Stall Time Hot	25 s
250	500	1000	2000
4000	8000	Hz	
SPL@3	723.0	787.0	803.0
	764.0	662.0	583.0
	dB(A)		
Moment of inertia	77.2 Lb-ft ²	Color, paint shade	RAL 7030
Ext Load Inertia Capability:	1370.0 Lb ft ²	Coating (paint finish)	Standard Alkyed + Epoxy (C2)
Bearings		Ventilation Type	
Bearing DE NDE	NU320	Method of cooling	TEFC
Bearing_Type	Roller Bearing	Direction of rotation	Bi-Directional
AFBMA:	100RU03M0	Fan Material	Polypropylene ESD
Grease		VFD	CT: 4:1 VT: 20:1
Capacity	23 oz	Space heaters	without
Grease Type:	Exxon Mobil EM	Brake:	-/-

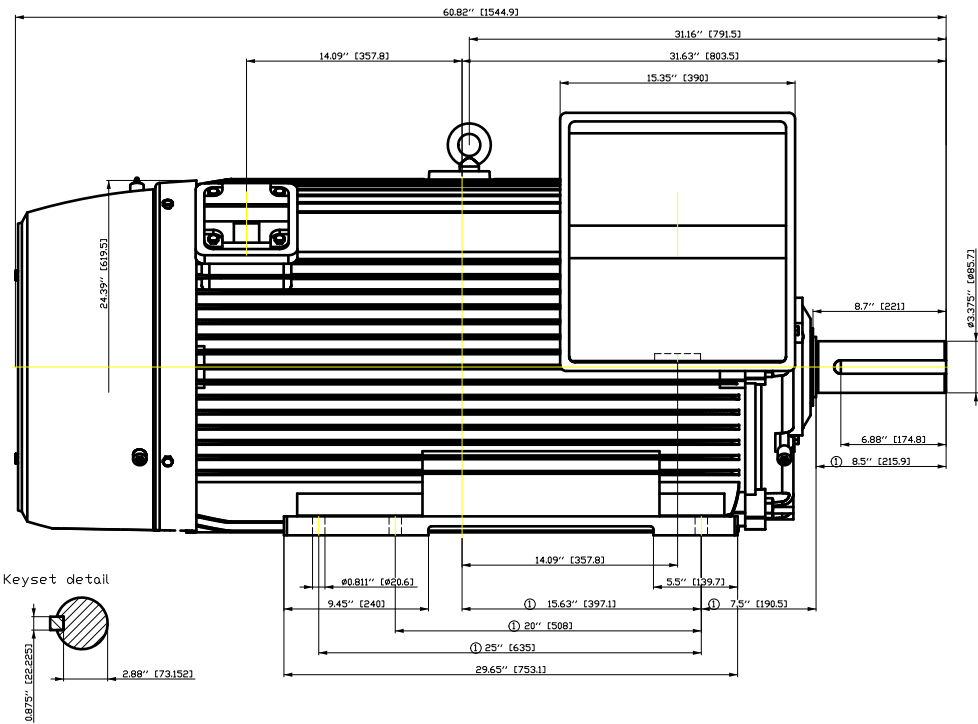
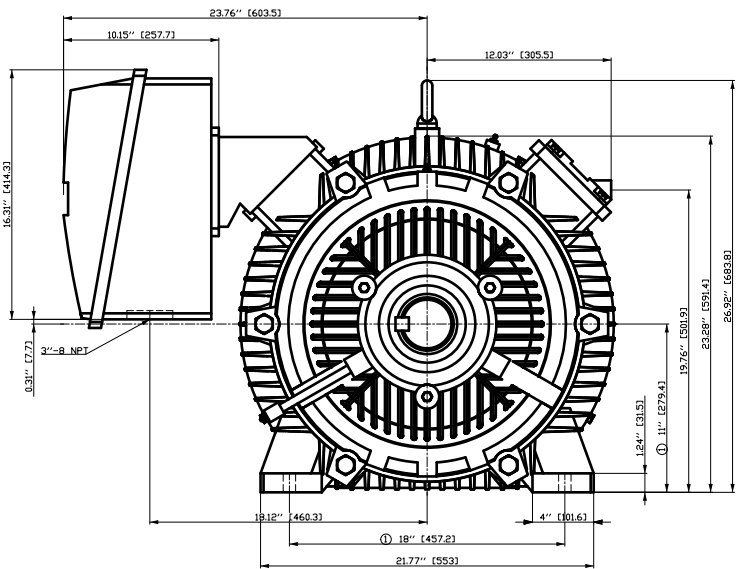
Terminal box

Lead Wire Connection	3 TERMINAL - Connection DELTA	Terminal box position	(1) LHS Mount - View From DE (F-1) - DE or Center of Motor
Voltage	L1 L1 L1 Connected together	Material of terminal box	Cast Iron
---	---	Cable entry	(1) 4" NPT
RUN	T1 T2 T3 --- Δ		

Notes:	
I _L /I _N = locked rotor current / current nominal	3) Value is valid only for DOL operation with motor design IC411
M _L /M _N = locked rotor torque / torque nominal	2) at rated power / at full load
M _B /M _N = break down torque / nominal torque	

responsible dep.	technical reference	created by	approved by	<i>Technical data are subject to change! There may be discrepancies between software and customer interface</i>
DI MC LVM		DT Configurator		

	document type	document status	customer	
	datasheet	released		
	title	document number		
	1LE6322-4UB11-3AA1			
© Siemens AG 2022	rev.	creation date	language	Page
	01	2022-04-09 01:53	en	1/1



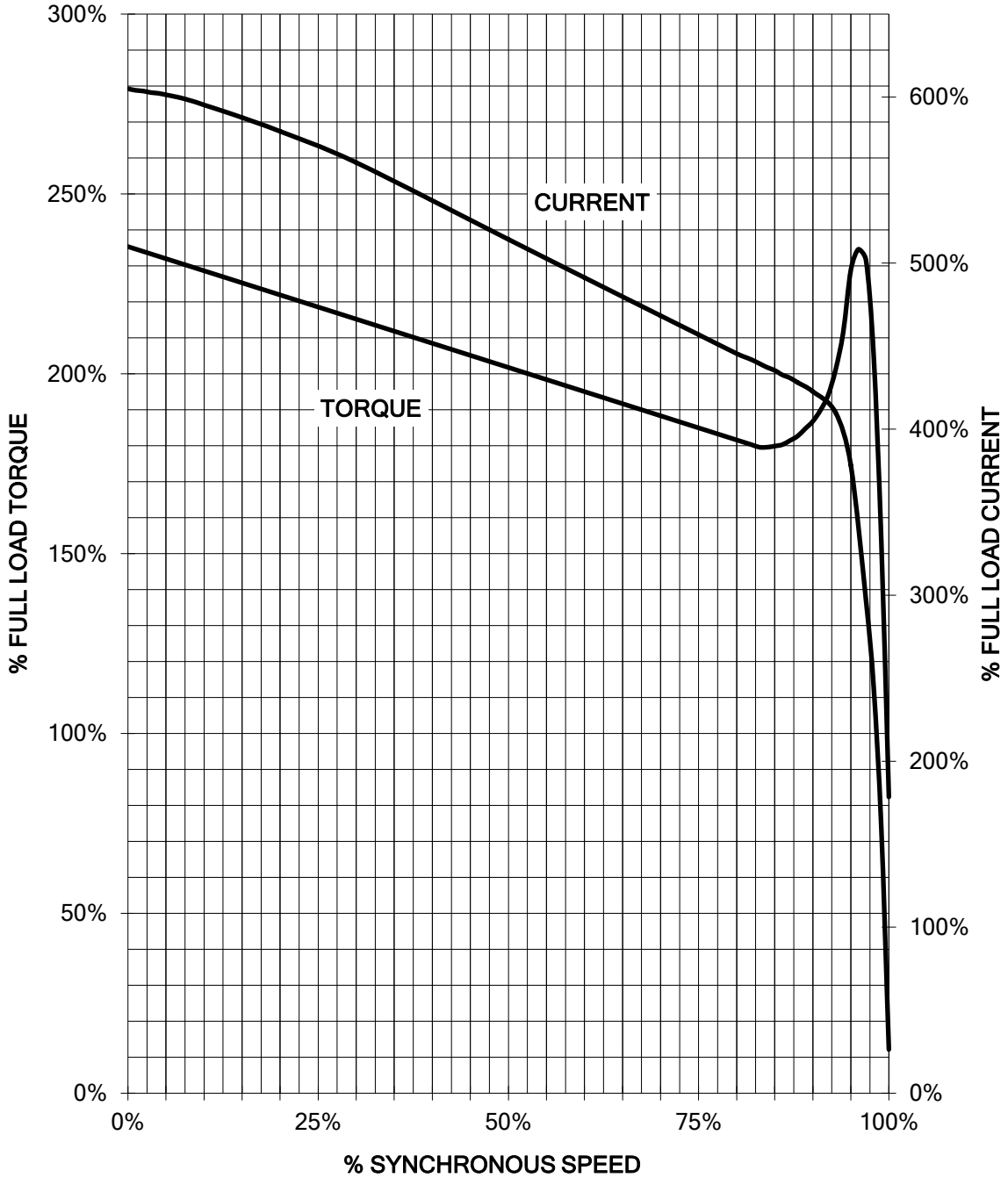
① Tolerances according to NEMA std.
 All dimensions corresponding to assemblies and castings shall have a tolerance as per ISO 8062-3 DCTG 12.

Tolerance	Surface	Material	Weight E	Scale 1:1
F501 HGGE WOFFE HEE E	Author Creator Approval Department Change Order	ÖS T æ : ^ & @ } *		
SIEMENS © Siemens AG 2018	Doc. State	I EEEG	MFB	Doc. Type
	Revision	Index RS	Item No.	Paper Size CH
	Project No	E	Doc No.	1st Language ^ 2nd Language a^
			Ref No E	Sheet F of F

SIEMENS INDUSTRY, INC.

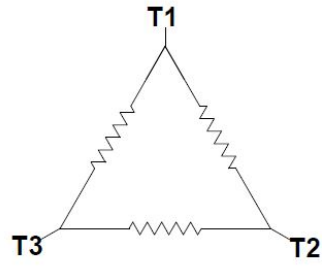
HP 350 VOLTS 460 RPM 1785 TYPE SD200
HZ 60 PHASE 3 FRAME 449T NEMA B

TORQUE & CURRENT VS. SPEED




Unrestricted CUSTOMER: _____ ORDER#: _____

Main terminal diagram

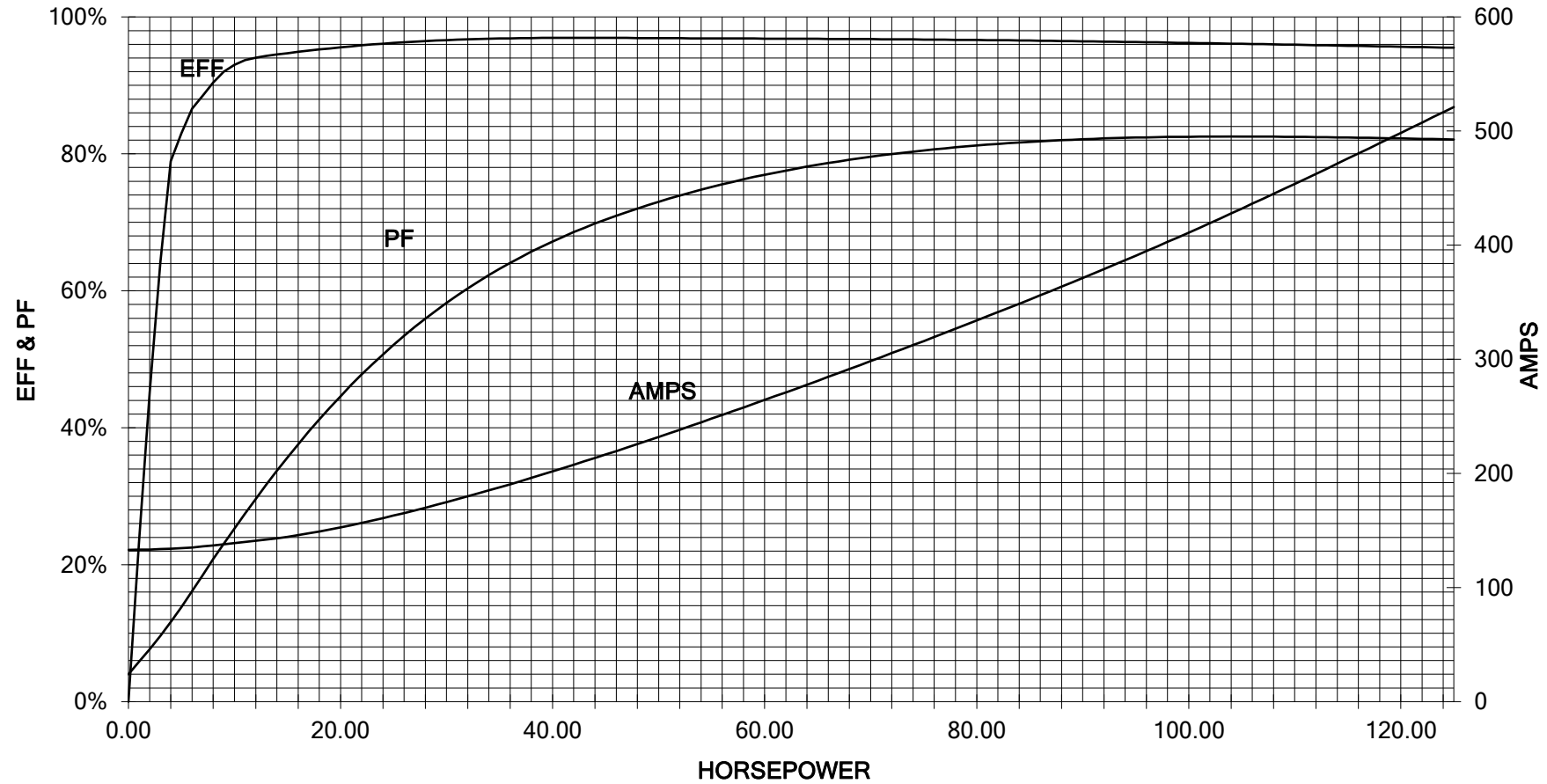


3 LEAD DELTA			
LINES			CONN.
L1	L2	L3	
T1	T2	T3	Δ

responsible dep. DI MC LVM	technical reference	created by	approved by	Project		
	document type Wiring Diagram		document status free		customer	
	title 1LE6322-4UB11-3AA1		document number			
© Siemens AG 2019			rev. 01	creation date 12/03/2019	language en	Page 1/1

350 HP 1800 RPM 449T FRAME 460 VOLTS 3 PHASE NEMA DESIGN B

SIEMENS INDUSTRY, INC.
PERFORMANCE CURVE
SD200



Unrestricted CUSTOMER _____ ORDER # _____ PO # _____

PERFORMANCE BASED ON DESIGN CALCULATIONS. SUBJECT TO CHANGE WITHOUT NOTICE.

REV. 1

2

1

3 PHASE - 3 LEADS - DELTA

L1	L2	L3	CONN.
T1	T2	T3	△



B

B

A

A

THIS IS A CAD DRAWING
DO NOT MAKE MANUAL CHANGES

01 | 09-27-07

TYPE

-CONFIDENTIAL-

PROPERTY OF

Siemens Energy & Automation, Inc.
Industrial Motor Division - Little Rock, AR

FRAME

HP

NAME

WIRING DIAGRAM

VOLTS

RPM

HZ

PH

3

Customer

DRAWN 9.24.07

DATE JRH

CHECKED

DATE

APP

DATE

SHEET

1 OF 1

Sim. To

PART NO.

51-382-114-504

A

2

1