

Data sheet for three-phase Squirrel-Cage-Motors SIMOTICS

Motor type: FS: 182T - 4p - 3 hp -

Client order no.	Item-No.	Offer no.
Order no.	Consignment no.	Project
Remarks		

Electrical data Class I, Div 1 Gr. C&D; Class II, Div1, Gr. F&G

U [V]	Δ/Y	f [Hz]	P [HP]	P [kW]	n [rpm]	I Load [Amps]					LRC	Nom. Eff Load [%]			Pwr. Factor Load [%]			Torque [lb-ft]	T _A /T _N LRT [%]	T _k /T _N BDT [%]
						4/4	3/4	1/2	0	4/4		3/4	2/4	4/4	3/4	2/4				
575		60	3.00	-/-	1,760	3.20	2.60	2.20	1.70	26.4	89.5	89.4	87.8	78.5	71.7	59.5	9.0	233	356	

Frame Type: 182T	Type of constr.: (A) Foot mounted - End shield	Ins. Cl.:Insulation class F	Motor Prot.:(G) Thermostats, Klixon type, normally closed	NEMA Des.: B	S.F.: 1.15
Mtr. WT:120		Temp. Rise Cl.: B	Amb. Temp.: + to -20 °C @1000 m	kVA: K	IP IP65


Mechanical data

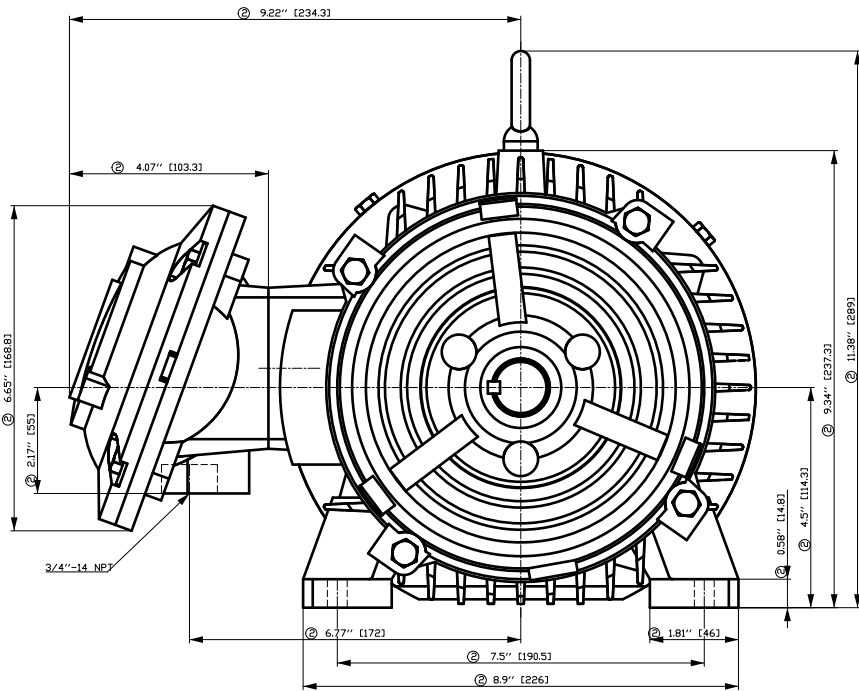
Sound level (SPL / SWL) at 60 Hz	57.0 dB(A) / 67.0 dB(A)	Thickener	Polyurea
Octave Band Center Frequencies Hertz	250 500 1000 2000 4000 8000 Hz	Safe Stall Time Hot	17 s
SPL@3	dB(A)	Safe Stall Time Cold	29 s
Moment of inertia	0.3 Lb-ft ²	Frame material	cast iron
Ext Load Inertia Capability:	17.0 Lb ft ²	Color, paint shade	
Bearings		Coating (paint finish)	
Bearing DE NDE	6206 Z C3 S0 6206 Z C3 S0	Ventilation Type	
Bearing_Type	Ball Bearing Ball Bearing	Method of cooling	TEFC
AFBMA:	30BC02JP30 30BC02JP30	Direction of rotation	Bidirectional
Grease		Fan Material	Polypropylen ESD
Capacity	0.2 oz 0.2 oz	VFD	CT: 4:1 VT: 20:1
Grease Type:	Exxon Mobile EM	Space heaters	without
		Brake:	-/-

Terminal box

Lead Wire Connection	3 LEAD - WYE	Terminal box position	(3) Mounting - F-1
Voltage	L1 L1 L1 Connected together	Material of terminal box	
----	----	Cable entry	-/-
----	T1 T2 T3		

Notes:			
I _r /I _N = locked rotor current / current nominal	M _r /M _N = locked rotor torque / torque nominal	M _b /M _N = break down torque / nominal torque	3) Value is valid only for DOL operation with motor design IC411 2) at rated power / at full load

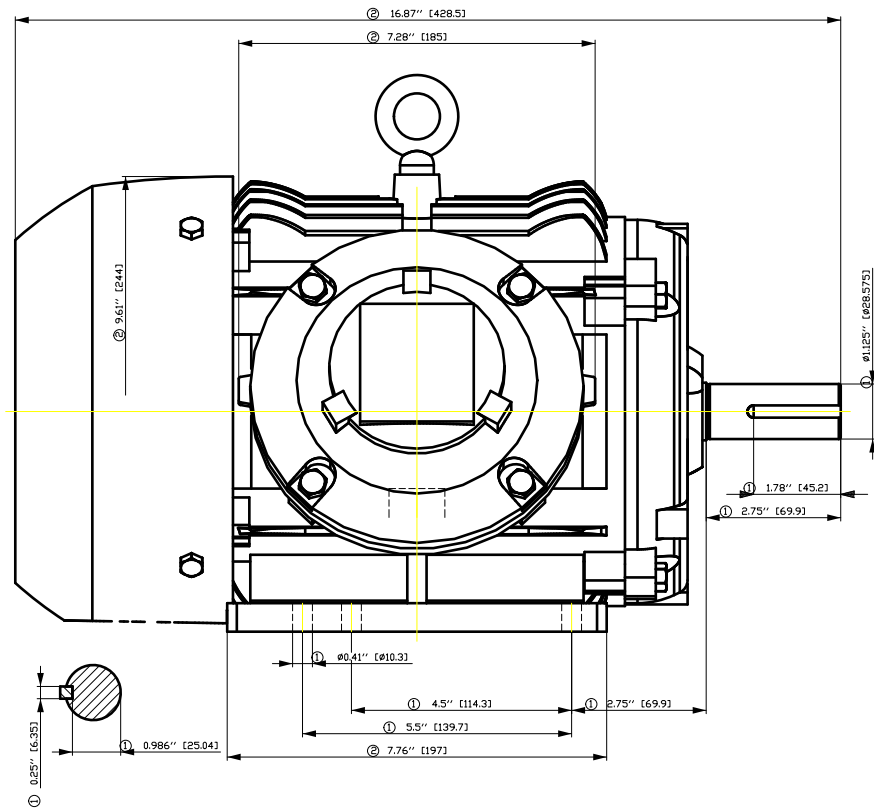
responsible dep. DI MC LVM	technical reference	created by DT Configurator	approved by	<i>Technical data are subject to change! There may be discrepancies between software and hardware versions</i>			
	document type datasheet	document status released	customer				
	title 1MB2121-1CB11-3AG3	document number					
© Siemens AG 2022		rev. 01	creation date 2022-04-08 17:43	language en	Page 1/1		



① Tolerances according to NEMA std.

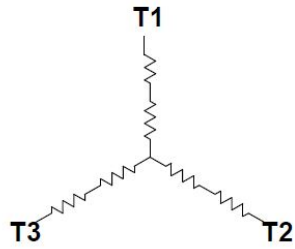
② All these dimensions corresponding to assemblies and castings shall have a tolerance as per DIN standard 1686-GTB 19.

③ Not according to NEMA std.



Tolerance	Surface	Material	Weight	Scale
FT ÖGF:GF:ÖÖFF:ÖÖH É	Author Creator Approval Department Change Order	ÖS T æ : ^æ@` } *	É	{ {
SIEMENS	Doc. State	Item No	Doc Type	
	Revision	Index	Doc No	Paper Size
© Siemens AG 2018	Project No	Ref No	1st Language	2nd Language
	É	É	^	â^
			Sheet	F of F

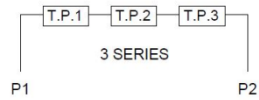
Main terminal diagram



3 LEAD WYE			
LINES			CONN.
L1	L2	L3	
T1	T2	T3	Y

Motor protection

THERMOSTATS



responsible dep.
DI MC LVM

technical reference

created by

approved by

Project

SIEMENS

document type
Wiring Diagram

title
1MB2121-1CB11-3AG3

document status
free

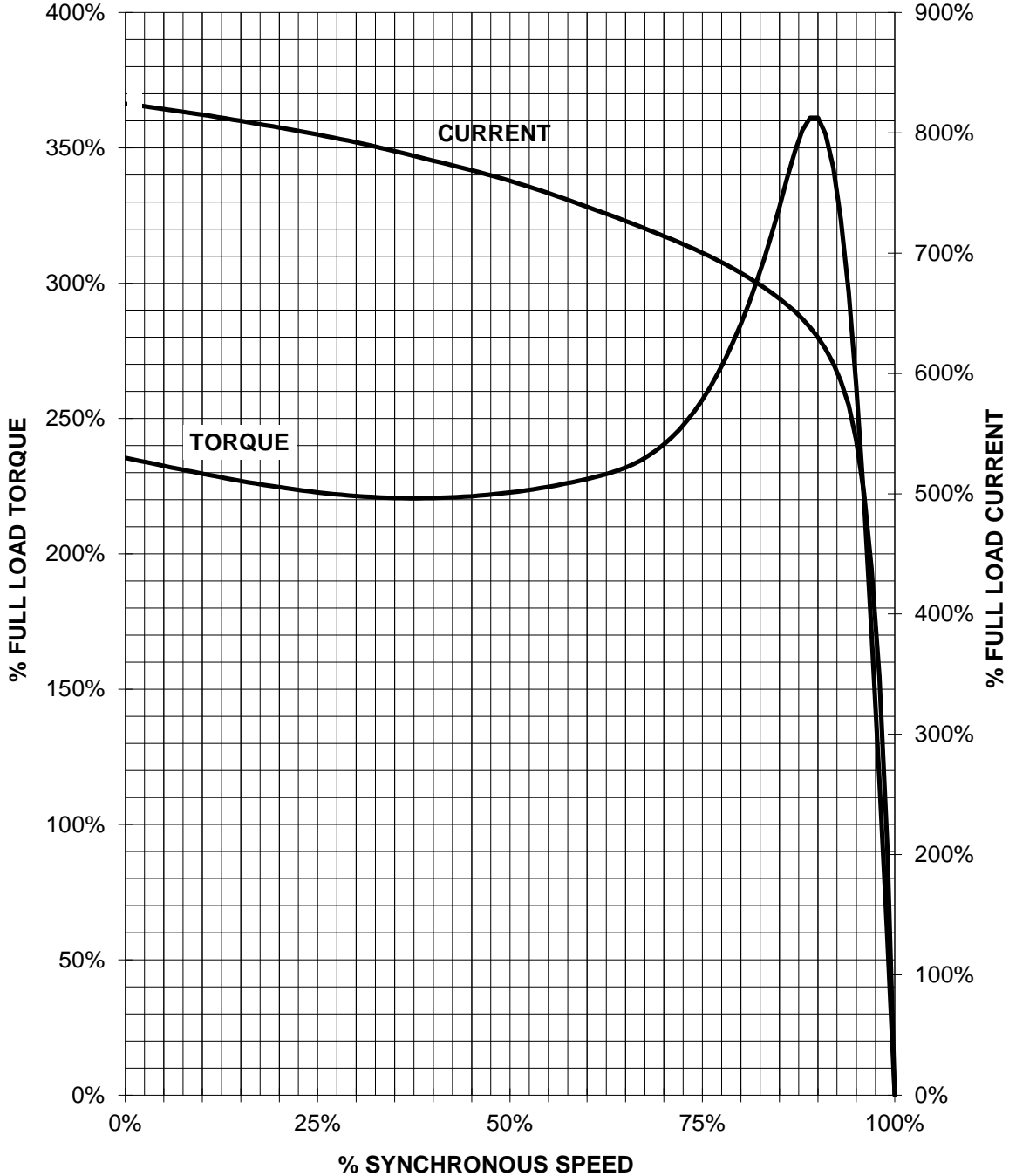
document number

customer

SIEMENS INDUSTRY, INC.

HP 3 VOLTS <600 RPM 1800 TYPE XP100
HZ 60 PHASE 3 FRAME 182T NEMA B

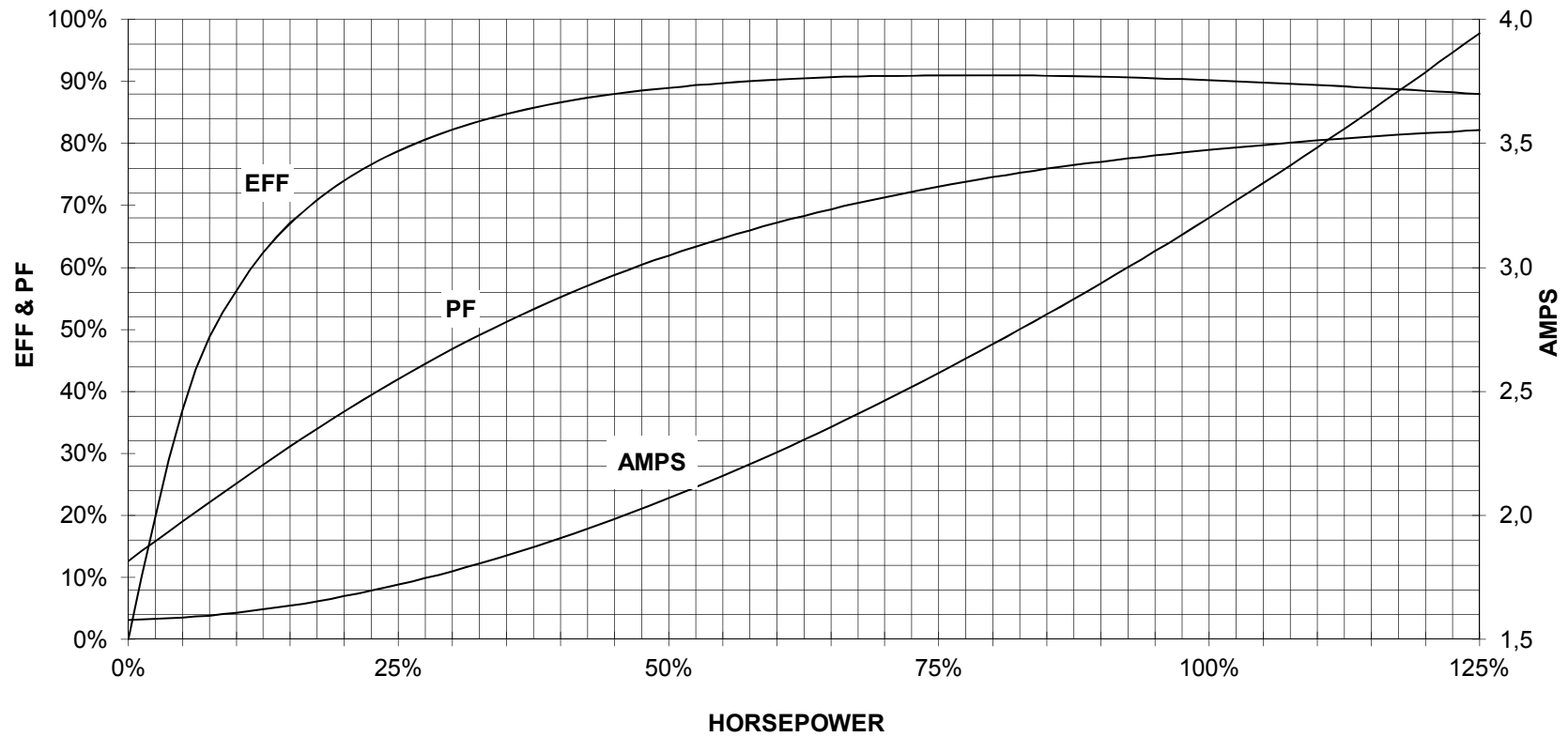
TORQUE & CURRENT VS. SPEED



CUSTOMER: _____ ORDER#: _____

3 HP 1800 RPM 182T FRAME 575 VOLTS 3 PHASE NEMA DESIGN B

SIEMENS INDUSTRY, INC.
PERFORMANCE CURVE
XP100



CUSTOMER _____ ORDER # _____ PO # _____

PERFORMANCE BASED ON DESIGN CALCULATIONS. SUBJECT TO CHANGE WITHOUT NOTICE.

REV. 1