

# Data sheet for three-phase Squirrel-Cage-Motors SIMOTICS

**Motor type:** FS: 256TCV - 6p - 10 hp -

Client order no.	Item-No.	Offer no.
Order no.	Consignment no.	Project
Remarks		

**Electrical data** Class I, Div 1 Gr. C&D; Class II, Div1, Gr. F&G

U [V]	$\Delta/Y$	f [Hz]	P [HP]	P [kW]	n [rpm]	I Load [Amps]					LRC	Nom. Eff Load [%]			Pwr. Factor Load [%]			Torque [lb-ft]	T <sub>A</sub> /T <sub>N</sub> LRT [%]	T <sub>k</sub> /T <sub>N</sub> BDT [%]
						4/4	3/4	1/2	0	4/4		3/4	2/4	4/4	3/4	2/4				
460		60	10.00	-/-	1,175	13.50	10.70	8.40	6.30	81.0	91.0	91.6	91.4	76.2	71.6	61.0	45.0	164	249	
230		60	10.00	-/-	1,175	27.00					91.0	91.6	91.4	76.2	71.6	61.0	45.0	164	249	

Frame Type: 256TCV	Type of constr.: ( L ) Round body - C-Face w/drip cover + hooks	Ins. Cl.:Insulation class F	Motor Prot.:(G) Thermostats, Klixon type, normally closed	NEMA Des.: B	S.F.: 1.15
Mtr. WT:308		Temp. Rise Cl.: B	Amb. Temp.: + to -20 °C @1000 m	kVA: H	IP IP65

**Mechanical data**

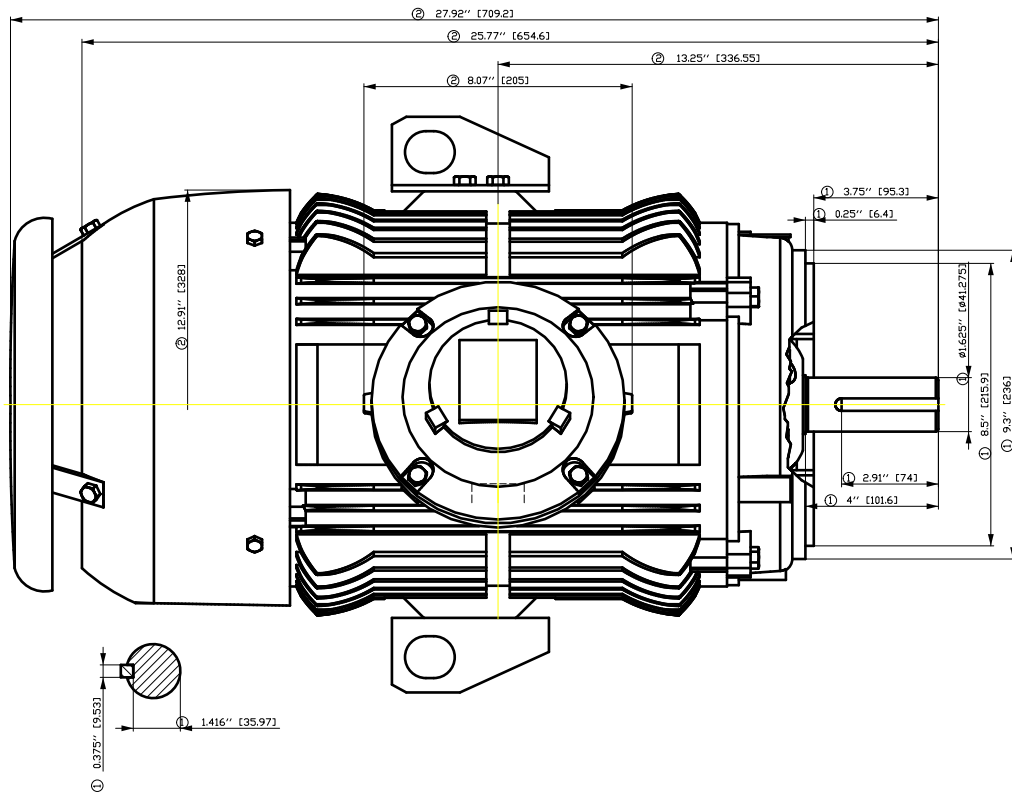
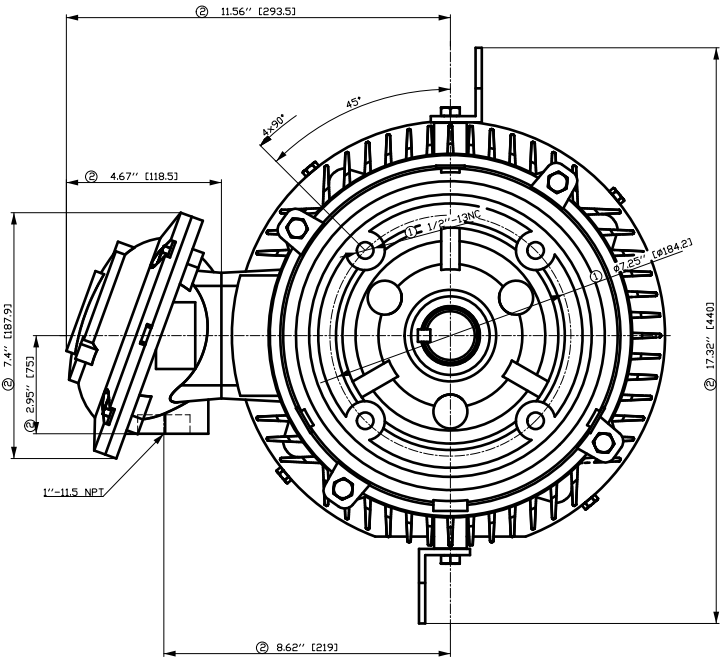
Sound level (SPL / SWL) at 60 Hz	55.0 dB(A) / 67.0 dB(A)	Thickener	Polyurea
Octave Band Center Frequencies Hertz	250 500 1000 2000 4000 8000 Hz	Safe Stall Time Hot	18 s
SPL@3		Safe Stall Time Cold	38 s
Moment of inertia	1.7 Lb-ft <sup>2</sup>	Frame material	cast iron
Ext Load Inertia Capability:	137.0 Lb ft <sup>2</sup>	Color, paint shade	
<b>Bearings</b>		Coating (paint finish)	
Bearing DE   NDE	6309 Z C3 S0   6309 Z C3 S0	<b>Ventilation Type</b>	
Bearing_Type	Ball Bearing   Ball Bearing	Method of cooling	TEFC
AFBMA:	45BC03JP30   45BC03JP30	Direction of rotation	Bidirectional
<b>Grease</b>		Fan Material	Polypropylen ESD
Capacity	0.5 oz   0.5 oz	VFD	CT: 4:1 VT: 20:1
Grease Type:	Exxon Mobile EM	Space heaters	without
		Brake:	-/-

**Terminal box**

Lead Wire Connection	9 LEAD - WYE	Terminal box position	(3) Mounting - F-1
Voltage	L1 L1 L1 Connected together	Material of terminal box	
LOW	T1 T7 T2 T8 T3 T9 T4 T5 T6	Cable entry	-/-
HIGH	T1 T2 T3 T4 T7-T5 T8-T6 T9		

<p><b>Notes:</b></p> <p>I<sub>r</sub>/I<sub>N</sub> = locked rotor current / current nominal  M<sub>r</sub>/M<sub>N</sub> = locked rotor torque / torque nominal  M<sub>d</sub>/M<sub>N</sub> = break down torque / nominal torque</p>	<p>3) Value is valid only for DOL operation with motor design IC411  2) at rated power / at full load</p>
--	---

responsible dep. DI MC LVM	technical reference	created by DT Configurator	approved by	<i>Technical data are subject to change! There may be discrepancies between software and hardware versions</i>	
	document type datasheet	document status released	customer		
	title 1MB2121-2BC21-6LG3	document number	rev. 01	creation date 2022-04-08 20:20	language en
© Siemens AG 2022				Page 1/1	



- ① Tolerances according to NEMA std.
- ② All these dimensions corresponding to assemblies and castings shall have a tolerance as per DIN standard 1686-GTB 19.
- ③ Not according to NEMA std.

Tolerance	Surface	Material	Weight E	Scale 1:1
FT ÖGFC EÖÖGF E ŠÖH E	Author Creator Approval Department Change Order	ÖS T a : ^ @ } *		
SIEMENS	Doc. State Revision	I BGG Index RS	MLFB Item No Doc No	Doc Type Paper Size 1st Language 2nd Language
	© Siemens AG 2018 Project No	E	Ref No E	Sheet F of F

刀痕等  
用转手  
用全  
用全  
用全

刀痕等  
用转手  
用全  
用全  
用全

刀痕等  
用转手  
用全  
用全  
用全

刀痕等  
用转手  
用全  
用全  
用全

刀痕等  
用转手  
用全  
用全  
用全

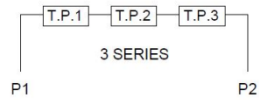
Main terminal diagram



9 LEAD WYE						
Volts	LINES			CONNECTED TOGETHER	CONN.	
	L1	L2	L3			
LOW	T1 T7	T2 T6	T3 T9	T4 T5 T6	YY	
HIGH	T1	T2	T3	T4 T7-T5 T8-T6 T9	Y	

Motor protection

THERMOSTATS



responsible dep.  
DI MC LVM

technical reference

created by

approved by

Project

**SIEMENS**

document type  
Wiring Diagram

title  
1MB2121-2BC21-6LG3

document status  
free

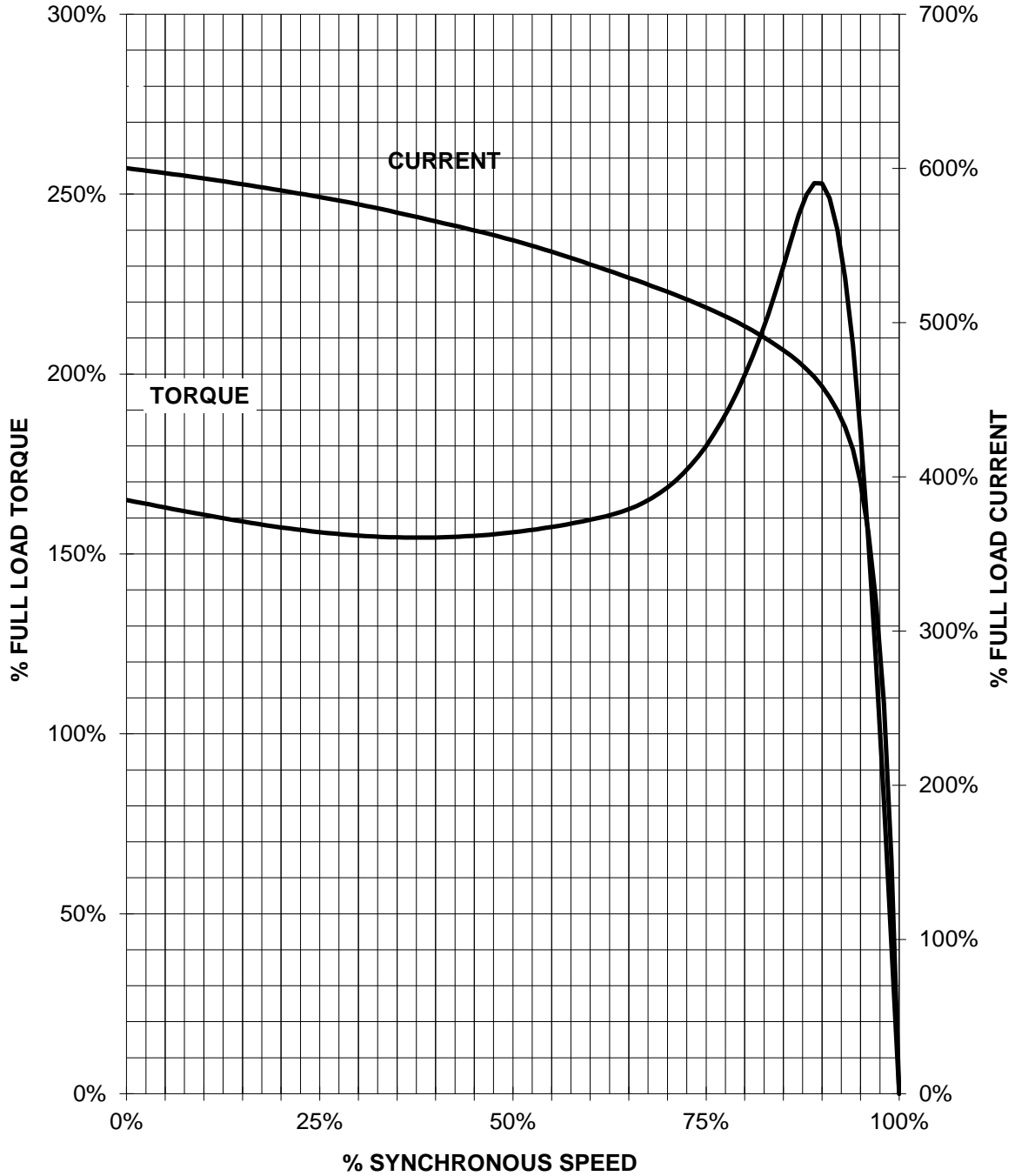
document number

customer

# SIEMENS INDUSTRY, INC.

HP 10 VOLTS <600 RPM 1200 TYPE XP100  
HZ 60 PHASE 3 FRAME 256T NEMA B

## TORQUE & CURRENT VS. SPEED



CUSTOMER: \_\_\_\_\_ ORDER#: \_\_\_\_\_