

# Data sheet for three-phase Squirrel-Cage-Motors ABB

**Motor type:** FS: 4p - 10 hp -

Client order no.	Item-No.	Offer no.
Order no.	Consignment no.	Project

Remarks

## Electrical data

Class I, Div 1 Gr. C&D; Class II, Div1, Gr. F&G, T3C

U [V]	$\Delta/Y$	f [Hz]	P [HP]	P [kW]	n [rpm]	I Load [Amps]					LRC	Nom. Eff Load [%]			Pwr. Factor Load [%]			Torque [lb-ft]	T <sub>A</sub> /T <sub>N</sub> LRT [%]	T <sub>k</sub> /T <sub>N</sub> BDT [%]
						4/4	3/4	1/2	0	4/4		3/4	2/4	4/4	3/4	2/4				
460	Y	60	10.00		1,755	12.50	10.00	8.00	6.10	81.0	91.7	92.2	91.7	81.7	76.2	63.8	30.0	270	410	
230	YY	60	10.00		1,755	25.00	19.99	16.00	12.20	162.0	91.7	92.2	91.7	81.7	76.2	63.8	30.0	270	410	
400	Y	50	7.50		1,467	12.44	10.42	9.04	8.29	82.0	89.6	89.7	88.2	71.3	63.8	5.0	26.9	233	500	
200	YY	50	7.50		1,467	24.88	20.84	18.08	16.58	164.0	89.6	89.7	88.2	71.3	63.8	5.0	26.9	233	500	

Frame Type:	Type of constr.: (E) Foot mounted - C-Face	Motor Prot.:(G) Thermostats, Klixon type, normally closed	NEMA Des.: B	S.F.: 1.15
Mtr. WT:200 lbs	Insulation Class.:Insulation class F	Temp. Rise Cl.: B	Amb. Temp.: + 55 to -20 °C @1000 m	kVA: H IP IP65

## Mechanical data

Sound level (SPL / SWL) at 60 Hz	57.0 dB(A) / 69.0 dB(A)		Thickener	Polyurea					
Octave Band Center Frequencies Hertz			Safe Stall Time Hot	20 s					
	250	500	1000	2000	4000	8000	Hz	Safe Stall Time Cold	36 s
SPL@3	37.0	44.0	54.0	53.0	44.0	35.0	dB(A)	Frame material	cast iron
Moment of inertia	0.9 Lb-ft <sup>2</sup>		Color, paint shade						
Ext Load Inertia Capability:	51.0 Lb ft <sup>2</sup>		Coating (paint finish)	Standard Alkyed + Epoxy (C2)					
<b>Bearings</b>			<b>Ventilation Type</b>						
Bearing DE   NDE			Method of cooling	TEFC					
Bearing_Type	Ball Bearing	Ball Bearing	Direction of rotation	Bidirectional					
AFBMA:	45BC02JP30	40BC02JP30	Fan Material	Polypropylen ESD					
<b>Grease</b>			VFD	CT: 4:1 VT: 20:1					
Capacity	0.3 oz	0.3 oz	Space heaters	without					
Grease Type:	Exxon Mobile EM		Brake:	-/-					


## Terminal box

Lead Wire Connection	9 LEAD - WYE				Terminal box position	(3) Mounting - F-1
Voltage	L1	L2	L3	Connected together	Material of terminal box	Cast Iron
LOW	T1 T7	T2 T8	T3 T9	T4 T5 T6	Cable entry	-/-
HIGH	T1	T2	T3	T4 T7-T5 T8-T6 T9		

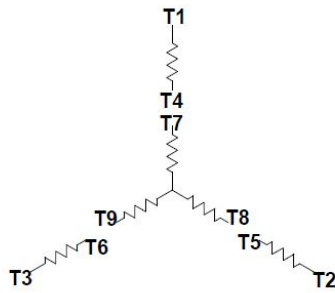
## Notes:

I<sub>r</sub>/I<sub>N</sub> = locked rotor current / current nominal  
M<sub>r</sub>/M<sub>N</sub> = locked rotor torque / torque nominal  
M<sub>b</sub>/M<sub>N</sub> = break down torque / nominal torque

3) Value is valid only for DOL operation with motor design IC411  
2) at rated power I at full load

Responsible department IN LVM	Technical reference	Created by SPC	Approved by	<i>Technical data are subject to change! There may be discrepancies between calculated and rating plate values.</i>			
	Document type Datasheet	Document status Released		customer			
	Title	Document number					
© ABB 2024	Rev. 01	Creation date 2024-03-20 16:09	Language en	Page 1/1			

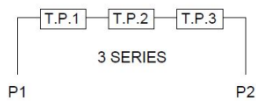
Main terminal diagram



9 LEAD WYE						
Volts	LINES			CONNECTED TOGETHER	CONN.	
	L1	L2	L3			
LOW	T1 T7	T2 T6	T3 T9	T4 T5 T6	YY	
HIGH	T1	T2	T3	T4 T7-T5 T8-T6 T9	Y	

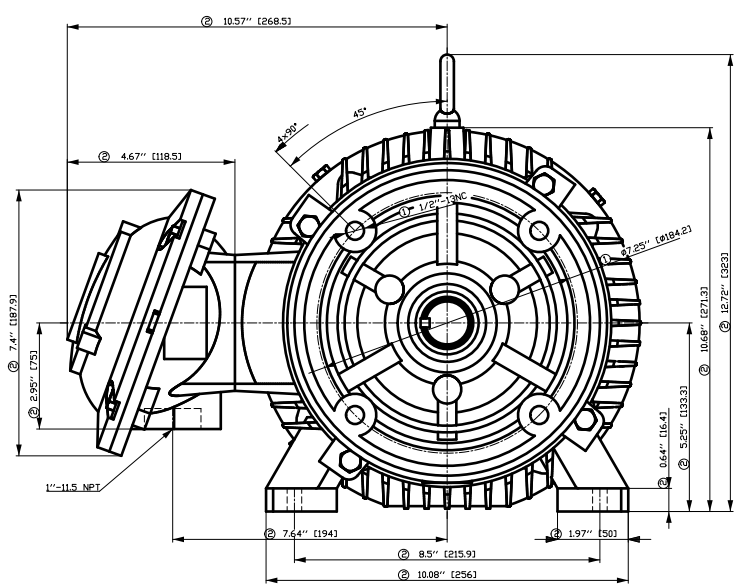
Motor protection

THERMOSTATS

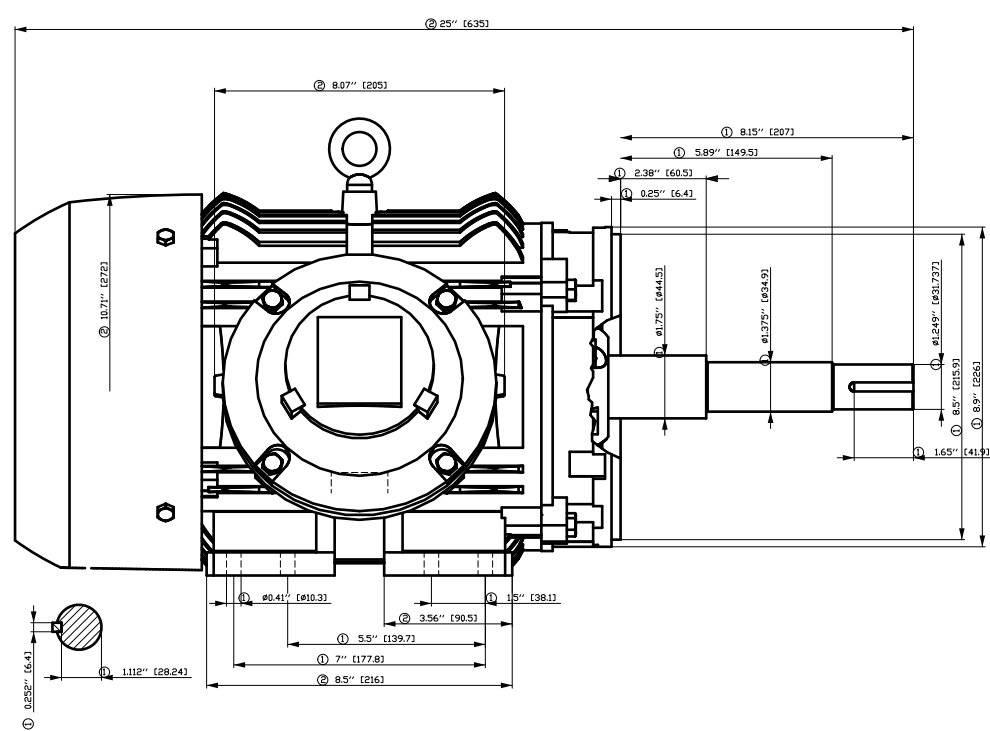


Transmittal, reproduction, dissemination and/or editing of this document as well as utilization of its contents and communication thereof to others without express authorization are prohibited. Offenders will be held liable for payment of damages. All rights created by patent grant or registration of a utility model or design patent are reserved.

Responsible department	Technical reference	Created by	Approved by Created automatically	<i>Technical data are subject to change! There may be discrepancies between calculated and rating plate values.</i>		
	Document type Wiring diagramm			Document status Released		
	Title			Document number WDS-240320-151128		
Restricted				Rev. AA	Creation date 2024-03-20	Language en
						Page 1/1



- ① Tolerances according to NEMA std.
- ② All these dimensions corresponding to assemblies and castings shall have a tolerance as per DIN standard 1686-GTB 19.
- ③ Not according to NEMA std.



V&@ a@a(A) aV'\*) A[ia@n) A  
 V&@ a@a@a@a(A) aV'\*) A[ia@n) A

Tolerance	Surface	Material	Weight	Scale
	Author	ÖVS Tæ: ^æ@` }*	E	
	Creator			
	Approval			
	Department	MLFB	Doc Type	/
	Change Order	JFCB-H	Item No	Paper Size CH
	Doc. State	Index	Doc No	1st Language ^)
	Revision	RS		2nd Language â^
© ABB	2023	Project No E	Ref No E	Sheet F of F

刀线管  
 用文  
 积  
 1  
 2  
 3  
 4  
 5  
 6  
 7  
 8  
 A  
 B  
 C  
 D  
 E  
 F