

Data sheet for three-phase Squirrel-Cage-Motors SIMOTICS

Motor type: FS: 326T - 6p - 30 hp -

Client order no.	Item-No.	Offer no.
Order no.	Consignment no.	Project
Remarks		

Electrical data Class I, Div 1 Gr. C&D; Class II, Div1, Gr. F&G

U [V]	Δ/Y	f [Hz]	P [HP]	P [kW]	n [rpm]	I Load [Amps]					LRC	Nom. Eff Load [%]			Pwr. Factor Load [%]			Torque [lb-ft]	T _A /T _N LRT [%]	T _k /T _N BDT [%]
						4/4	3/4	1/2	0	4/4		3/4	2/4	4/4	3/4	2/4				
575		60	30.00	-/-	1,185	31.20	24.70	19.80	12.00	174.4	93.0	93.5	93.1	77.0	73.0	61.0	133.0	170	220	
Frame Type: 326T		Type of constr.: (A) Foot mounted - End shield				Ins. Cl.:Insulation class F		Motor Prot.:(G) Thermostats, Klixon type, normally closed				NEMA Des.: B		S.F.: 1.15						
Mtr. WT:685						Temp. Rise Cl.: B		Amb. Temp.: + to -20 °C @1000 m				kVA: G		IP IP65						


Mechanical data

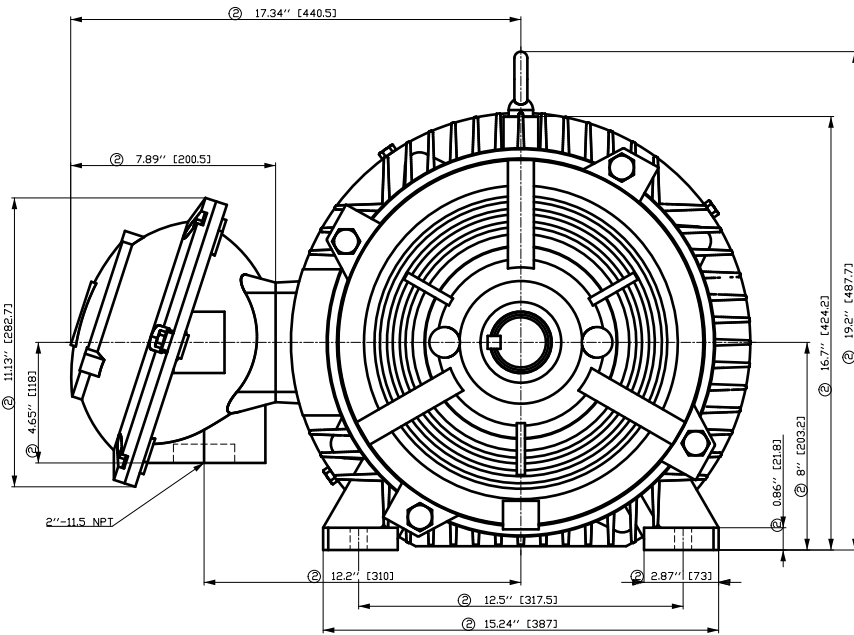
Sound level (SPL / SWL) at 60 Hz	65.0 dB(A) / 76.0 dB(A)	Thickener	Polyurea
Octave Band Center Frequencies Hertz		Safe Stall Time Hot	26 s
250	500	1000	2000
4000	8000	Hz	
SPL@3	dB(A)		Safe Stall Time Cold
		Frame material	cast iron
Moment of inertia	10.2 Lb-ft ²	Color, paint shade	
Ext Load Inertia Capability:	384.0 Lb ft ²	Coating (paint finish)	
Bearings		Ventilation Type	
Bearing DE NDE	6312 Z C3 S0	6312 Z C3 S0	Method of cooling
Bearing_Type	Ball Bearing	Ball Bearing	TEFC
AFBMA:	60BC03JP30	60BC03JP30	Direction of rotation
Grease			Bidirectional
Capacity	5.5 oz	5.5 oz	Fan Material
Grease Type:	Exxon Mobile EM		Polypropylen ESD
			VFD
			CT: 4:1 VT: 20:1
			Space heaters
			without
			Brake:
			-/-

Terminal box

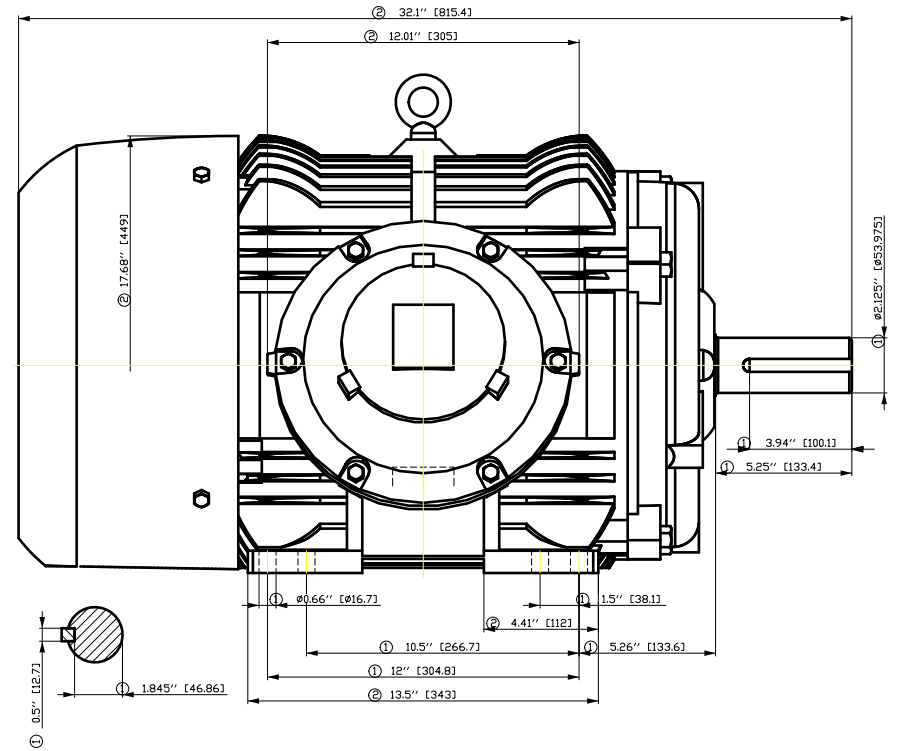
Lead Wire Connection	3 LEAD - DELTA	Terminal box position	(3) Mounting - F-1
Voltage	L1 L1 L1 Connected together	Material of terminal box	
----	----	Cable entry	-/-
----	T1 T2 T3		

Notes:
 I_L/I_N = locked rotor current / current nominal
 M_L/M_N = locked rotor torque / torque nominal
 M_d/M_N = break down torque / nominal torque
 3) Value is valid only for DOL operation with motor design IC411
 2) at rated power / at full load

responsible dep. DI MC LVM	technical reference	created by DT Configurator	approved by	<i>Technical data are subject to change! There may be discrepancies between software and hardware versions</i>			
	document type datasheet	document status released		customer			
	title 1MB2121-3AC21-3AG3	document number					
© Siemens AG 2022	rev. 01	creation date 2022-04-08 21:39	language en	Page 1/1			

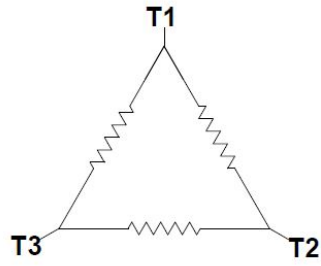


- ① Tolerances according to NEMA std.
- ② All these dimensions corresponding to assemblies and castings shall have a tolerance as per DIN standard 1686-GTB 19.
- ③ Not according to NEMA std.



Tolerance	Surface	Material	Weight	Scale
FT ÖGFCF#ÖÖG#ÖÖH E	Author Creator Approval Department Change Order	ÖS T æ : ^æ@` } *	E	{ {
SIEMENS	Doc. State	Item No	Doc Type	
	Revision	Index	Paper Size	CH
© Siemens AG 2018	Project No	Ref No	1st Language	^)
	E	E	2nd Language	â ^
			Sheet	F of F

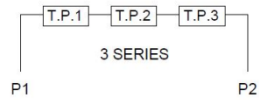
Main terminal diagram



3 LEAD DELTA			
LINES			CONN.
L1	L2	L3	
T1	T2	T3	Δ

Motor protection

THERMOSTATS



responsible dep.
DI MC LVM

technical reference

created by

approved by

Project

SIEMENS

document type
Wiring Diagram

title
1MB2121-3AC21-3AG3

document status
free

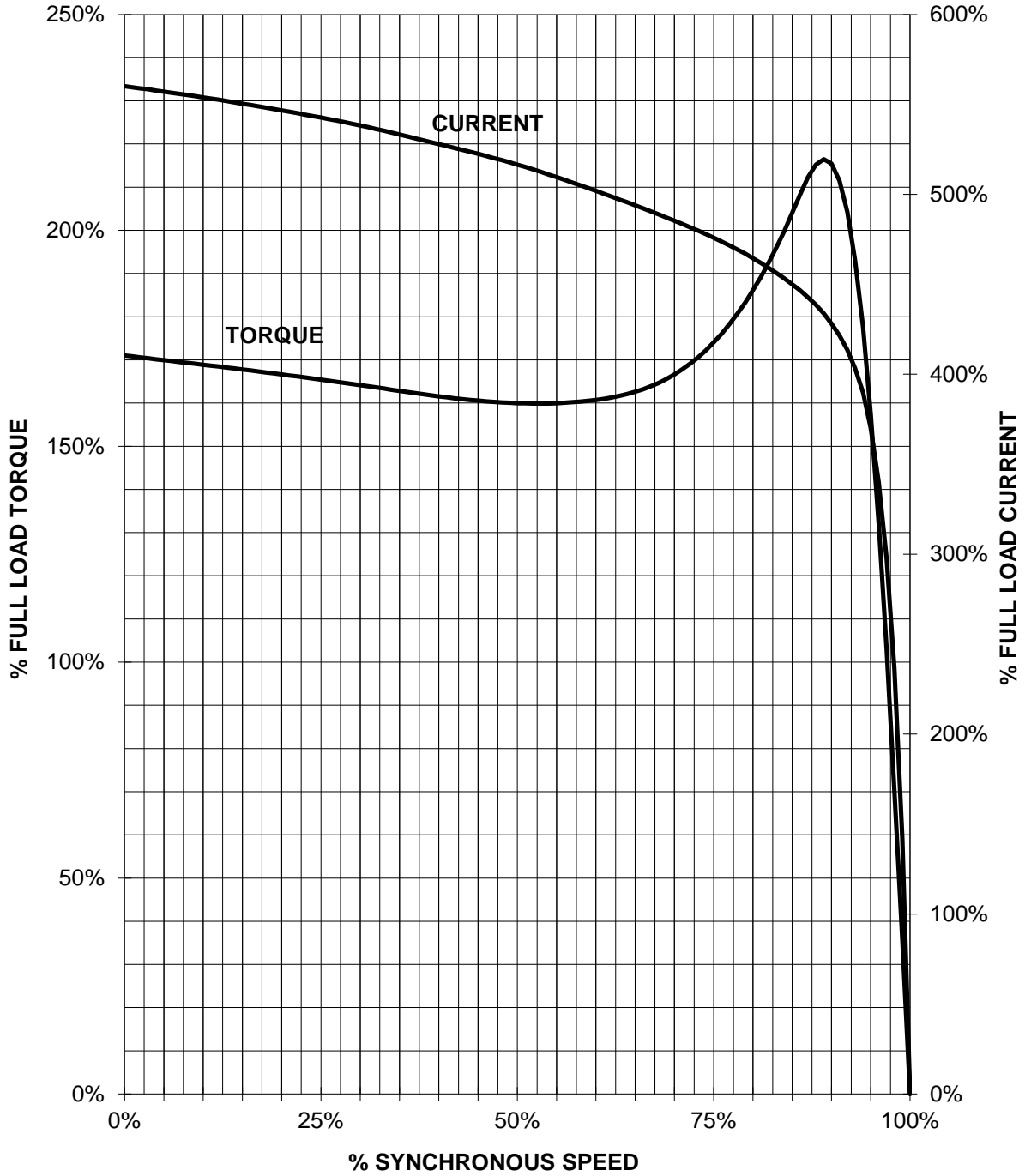
document number

customer

SIEMENS INDUSTRY, INC.

HP 30 VOLTS <600 RPM 1200 TYPE XP100
HZ 60 PHASE 3 FRAME 326T NEMA B

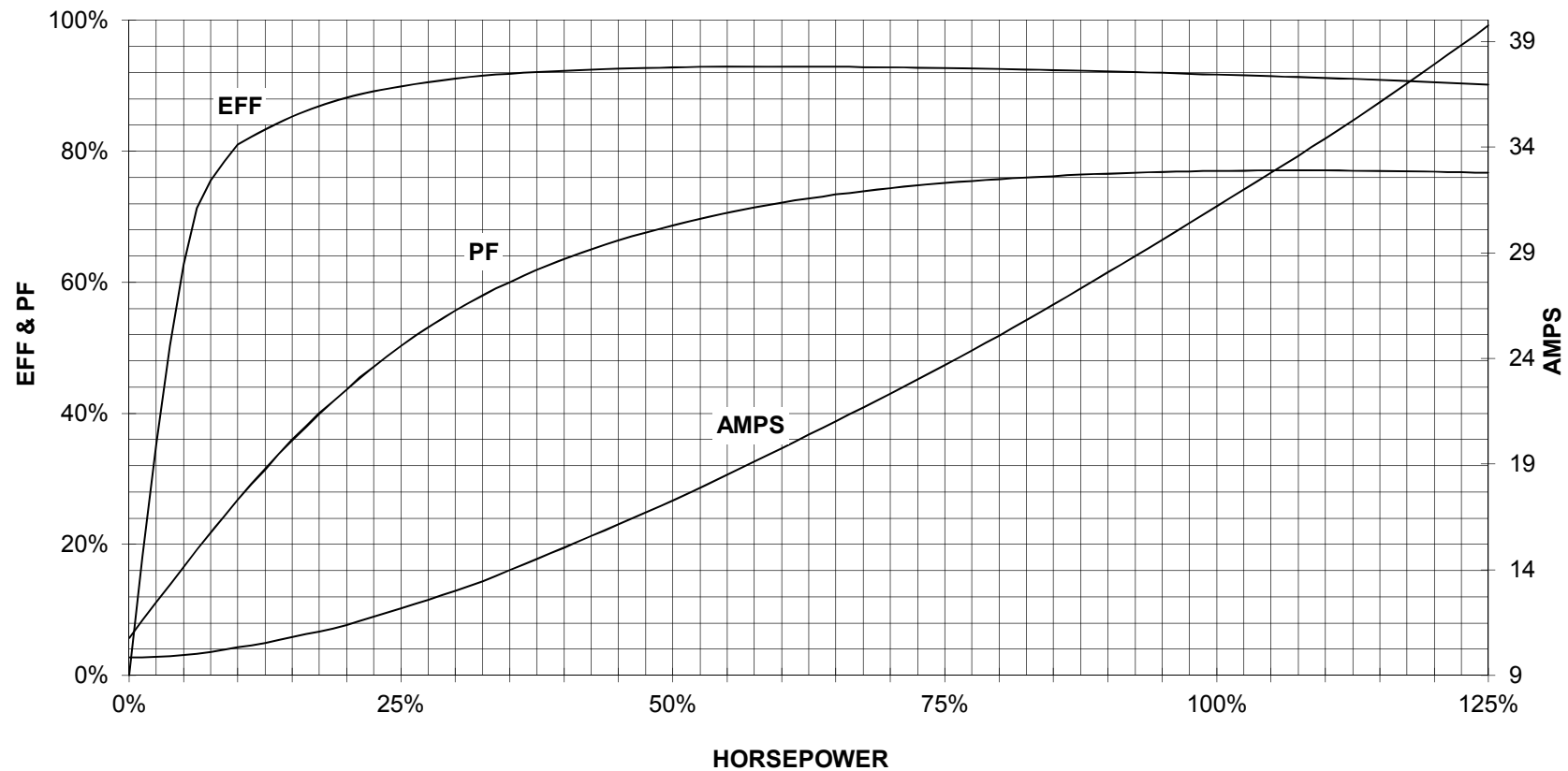
TORQUE & CURRENT VS. SPEED



CUSTOMER: _____ ORDER#: _____

30 HP 1200 RPM 326T FRAME 575 VOLTS 3 PHASE NEMA DESIGN B

SIEMENS INDUSTRY, INC.
PERFORMANCE CURVE
XP100



CUSTOMER _____ ORDER # _____ PO # _____

PERFORMANCE BASED ON DESIGN CALCULATIONS. SUBJECT TO CHANGE WITHOUT NOTICE.

REV. 1