

Data sheet for three-phase Squirrel-Cage-Motors SIMOTICS

Motor type: FS: 324T - 8p - 20 hp -

Client order no.	Item-No.	Offer no.
Order no.	Consignment no.	Project
Remarks		

Electrical data Class I, Div 1 Gr. C&D; Class II, Div1, Gr. F&G

U [V]	Δ/Y	f [Hz]	P [HP]	P [kW]	n [rpm]	I Load [Amps]					LRC	Nom. Eff Load [%]			Pwr. Factor Load [%]			Torque [lb-ft]	T _A /T _N LRT [%]	T _k /T _N BDT [%]
						4/4	3/4	1/2	0			4/4	3/4	2/4	4/4	3/4	2/4			
575		60	20.00	-/-	885	25.60	21.30	18.10	14.40	116.0	91.0	90.8	90.0	65.0	58.0	46.0	119.0	139	200	
Frame Type: 324T		Type of constr.: (A) Foot mounted - End shield				Ins. Cl.:Insulation class F		Motor Prot.:(G) Thermostats, Klixon type, normally closed				NEMA Des.: B		S.F.: 1.15						
Mtr. WT:636						Temp. Rise Cl.: B		Amb. Temp.: + to -20 °C @1000 m				kVA: G		IP IP65						

Mechanical data

Sound level (SPL / SWL) at 60 Hz	57.0 dB(A) / 67.0 dB(A)	Thickener	Polyurea
Octave Band Center Frequencies Hertz		Safe Stall Time Hot	15 s
250	500	1000	2000
4000	8000	Hz	
SPL@3		dB(A)	
Moment of inertia	8.8 Lb-ft ²	Safe Stall Time Cold	35 s
Ext Load Inertia Capability:	525.0 Lb ft ²	Frame material	cast iron
Bearings		Color, paint shade	
Bearing DE NDE	6312 Z C3 S0	6312 Z C3 S0	
Bearing_Type	Ball Bearing	Ball Bearing	
AFBMA:	60BC03JP30	60BC03JP30	
Grease		Coating (paint finish)	
Capacity	5.5 oz	5.5 oz	
Grease Type:	Exxon Mobile EM	Ventilation Type	
		Method of cooling	TEFC
		Direction of rotation	Bidirectional
		Fan Material	Polypropylen ESD
		VFD	CT: 4:1 VT: 20:1
		Space heaters	without
		Brake:	-/-

Terminal box


Lead Wire Connection	3 LEAD - DELTA	Terminal box position	(3) Mounting - F-1
Voltage	L1	L1	L1
	Connected together	Material of terminal box	
----	----	----	----
----	T1	T2	T3

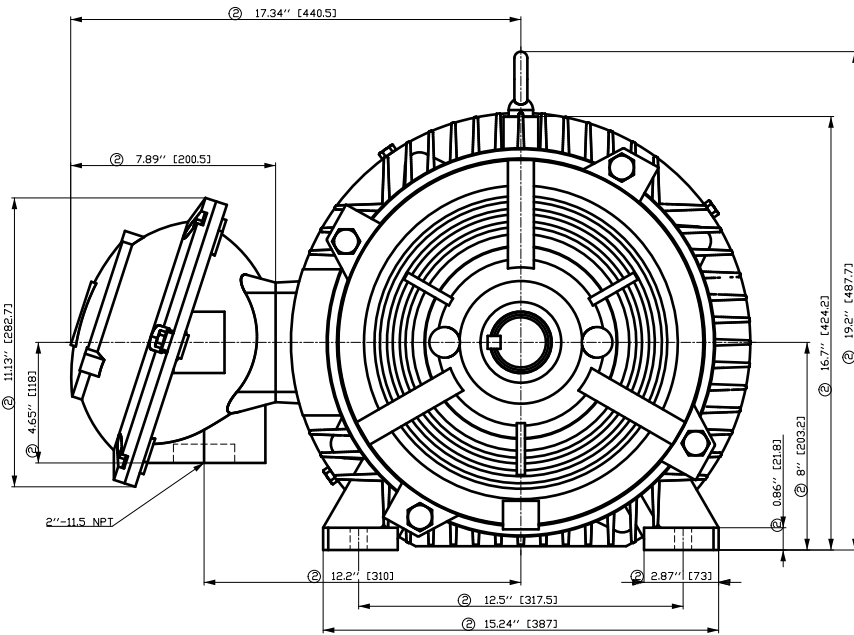
		Cable entry	-/-

Notes:

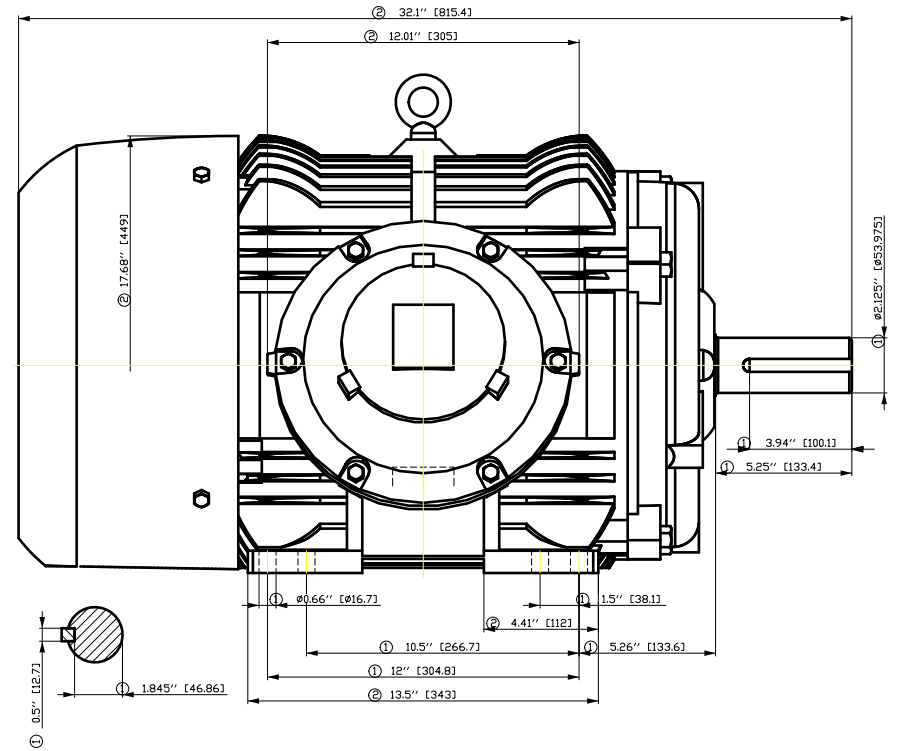
I_L/I_N = locked rotor current / current nominal
M_L/M_N = locked rotor torque / torque nominal
M_d/M_N = break down torque / nominal torque

3) Value is valid only for DOL operation with motor design IC411
2) at rated power / at full load

responsible dep.	technical reference	created by	approved by	<i>Technical data are subject to change! There may be discrepancies between software and customer interface</i>			
DI MC LVM		DT Configurator					
	document type	document status		customer			
	datasheet	released					
	title	document number					
	1MB2121-3AD11-3AG3						
© Siemens AG 2022		rev.	creation date	language	Page		
		01	2022-04-08 21:40	en	1/1		

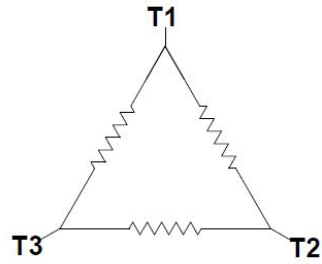


- ① Tolerances according to NEMA std.
- ② All these dimensions corresponding to assemblies and castings shall have a tolerance as per DIN standard 1686-GTB 19.
- ③ Not according to NEMA std.



Tolerance	Surface	Material	Weight	Scale
FT ÖGFCF#ÖÖFF#ÖÖH E	Author Creator Approval Department Change Order	ÖS T æ : ^æ@` } *	E	{ {
SIEMENS	Doc. State	I ð ÖG	Item No	Paper Size
	Revision	Index RS	Doc No	1st Language 2nd Language
© Siemens AG 2018	Project No	E	Ref No	E
			Doc Type	Sheet
				F of F

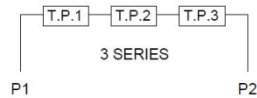
Main terminal diagram



3 LEAD DELTA			
LINES			CONN.
L1	L2	L3	
T1	T2	T3	Δ

Motor protection

THERMOSTATS



responsible dep.
DI MC LVM

technical reference

created by

approved by

Project

SIEMENS

document type
Wiring Diagram

title
1MB2121-3AD11-3AG3

document status
free

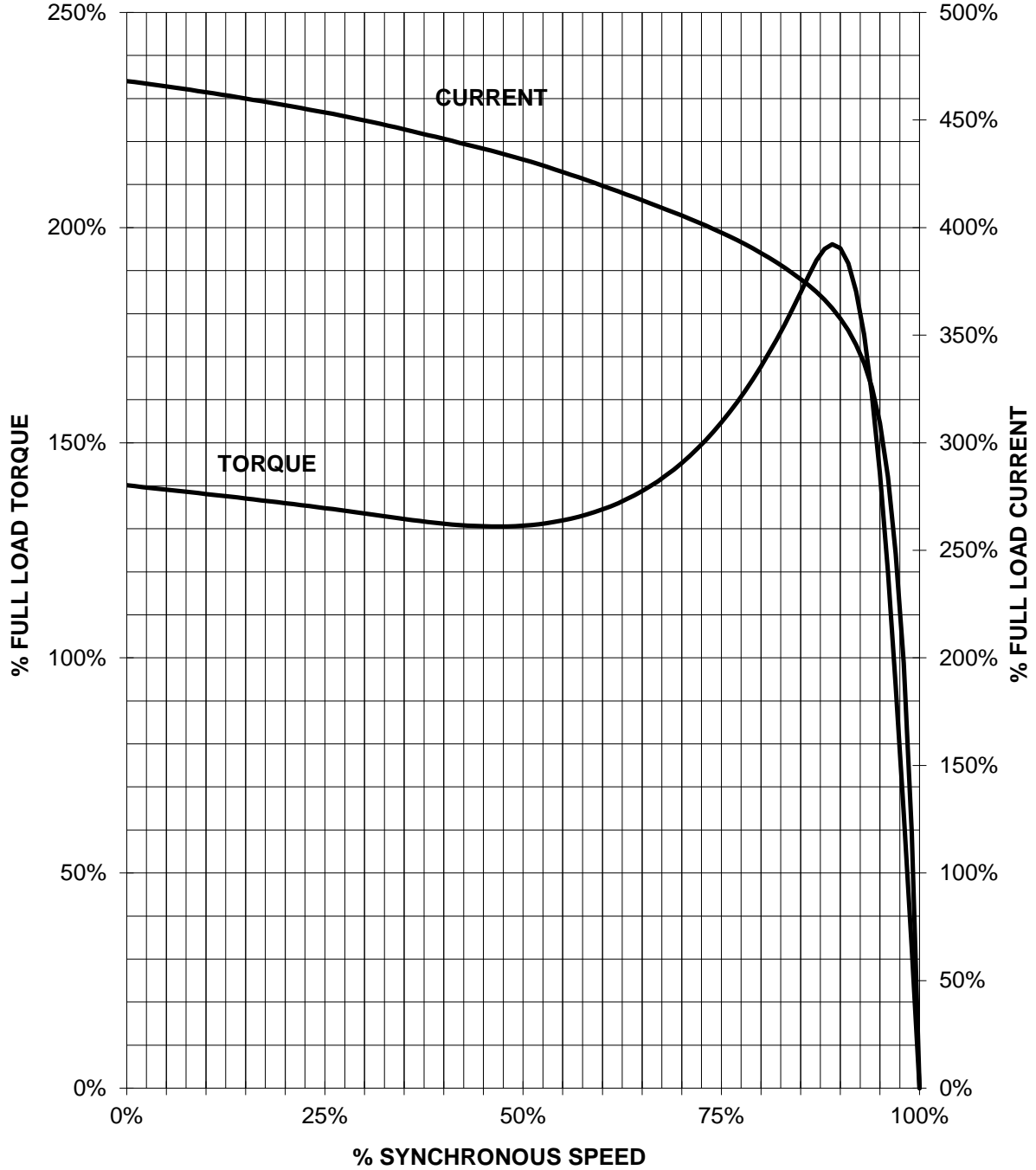
document number

customer

SIEMENS INDUSTRY, INC.

HP 20 VOLTS <600 RPM 900 TYPE XP100
HZ 60 PHASE 3 FRAME 324T NEMA B

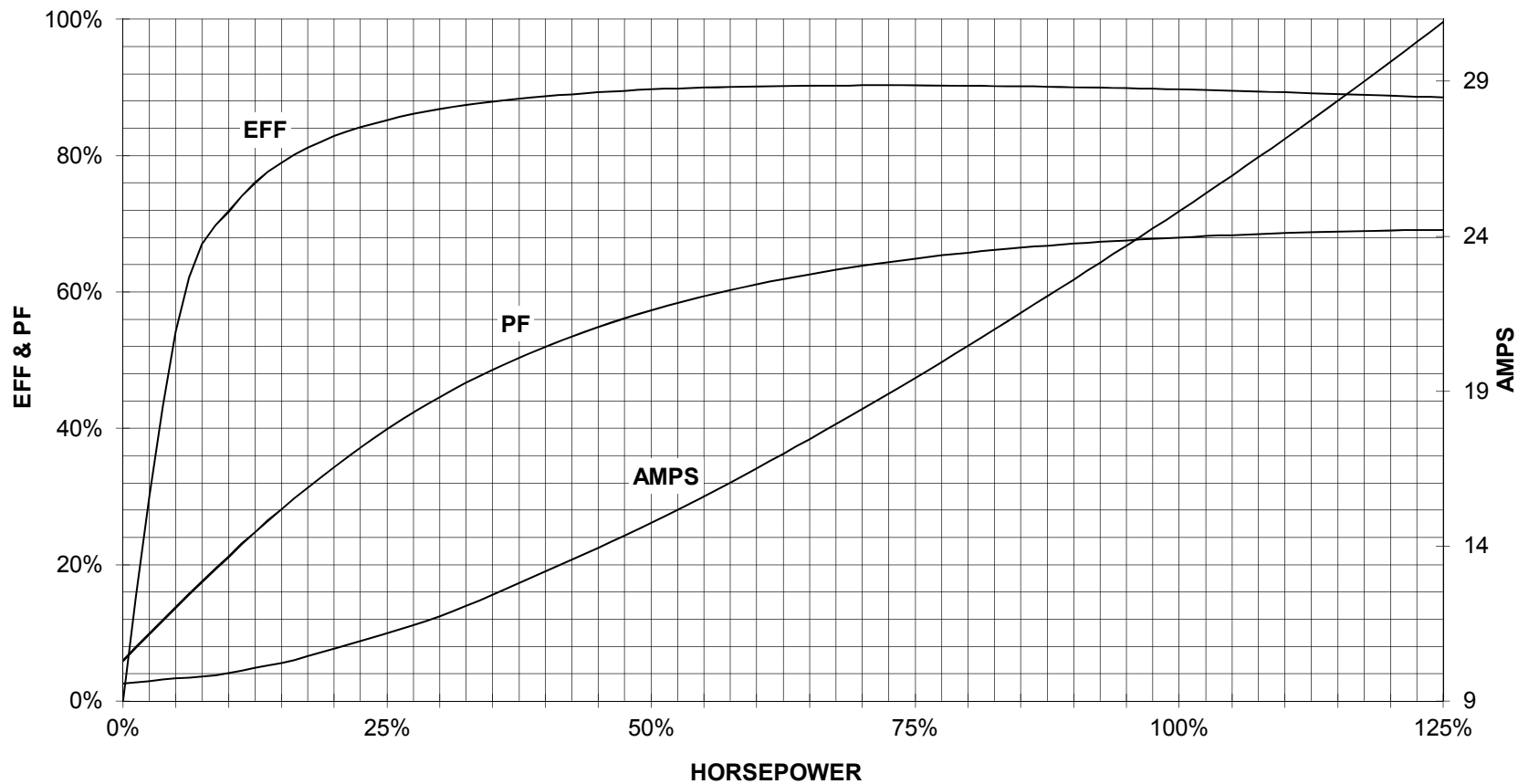
TORQUE & CURRENT VS. SPEED



CUSTOMER: _____ ORDER#: _____

20 HP 900 RPM 324T FRAME 575 VOLTS 3 PHASE NEMA DESIGN B

SIEMENS INDUSTRY, INC.
PERFORMANCE CURVE
XP100



CUSTOMER: _____ ORDER #: _____

PERFORMANCE BASED ON DESIGN CALCULATIONS. SUBJECT TO CHANGE WITHOUT NOTICE.

REV. 1