

# Data sheet for three-phase Squirrel-Cage-Motors SIMOTICS

**Motor type:** FS: 365TS - 2p - 75 hp -

Client order no.	Item-No.	Offer no.
Order no.	Consignment no.	Project
Remarks		

**Electrical data** Class I, Div 1 Gr. C&D; Class II, Div1, Gr. F&G

U [V]	$\Delta/Y$	f [Hz]	P [HP]	P [kW]	n [rpm]	I Load [Amps]					Nom. Eff Load [%]			Pwr. Factor Load [%]			Torque [lb-ft]	T <sub>A</sub> /T <sub>N</sub> LRT [%]	T <sub>k</sub> /T <sub>N</sub> BDT [%]
						4/4	3/4	1/2	0	LRC	4/4	3/4	2/4	4/4	3/4	2/4			
460		60	75.00	-/-	3,565	86.00	64.90	46.30	22.00	543.0	94.1	94.3	93.7	88.0	86.0	81.0	111.0	160	260
230		60	75.00	-/-	3,565	172.00					94.1	94.3	93.7	88.0	86.0	81.0	111.0	160	260

Frame Type: 365TS	Type of constr.: (A) Foot mounted - End shield	Ins. Cl.:Insulation class F	Motor Prot.:(G) Thermostats, Klixon type, normally closed	NEMA Des.: B	S.F.: 1.15
Mtr. WT:945		Temp. Rise Cl.: B	Amb. Temp.: + to -20 °C @1000 m	kVA: G	IP IP65

**Mechanical data**

Sound level (SPL / SWL) at 60 Hz	87.0 dB(A) / 98.0 dB(A)	Thickener	Polyurea
Octave Band Center Frequencies Hertz	250 500 1000 2000 4000 8000 Hz	Safe Stall Time Hot	16 s
SPL@3		Safe Stall Time Cold	27 s
Moment of inertia	11.1 Lb-ft <sup>2</sup>	Frame material	cast iron
Ext Load Inertia Capability:	71.0 Lb ft <sup>2</sup>	Color, paint shade	
<b>Bearings</b>		Coating (paint finish)	
Bearing DE   NDE	6314 Z C3 S0   6314 Z C3 S0	<b>Ventilation Type</b>	
Bearing_Type	Ball Bearing   Ball Bearing	Method of cooling	TEFC
AFBMA:	70BC03JP30   70BC03JP30	Direction of rotation	Bidirectional
<b>Grease</b>		Fan Material	Polypropylen ESD
Capacity	7.5 oz   7.5 oz	VFD	CT: n/a VT: 20:1
Grease Type:	Exxon Mobile EM	Space heaters	without
		Brake:	-/-

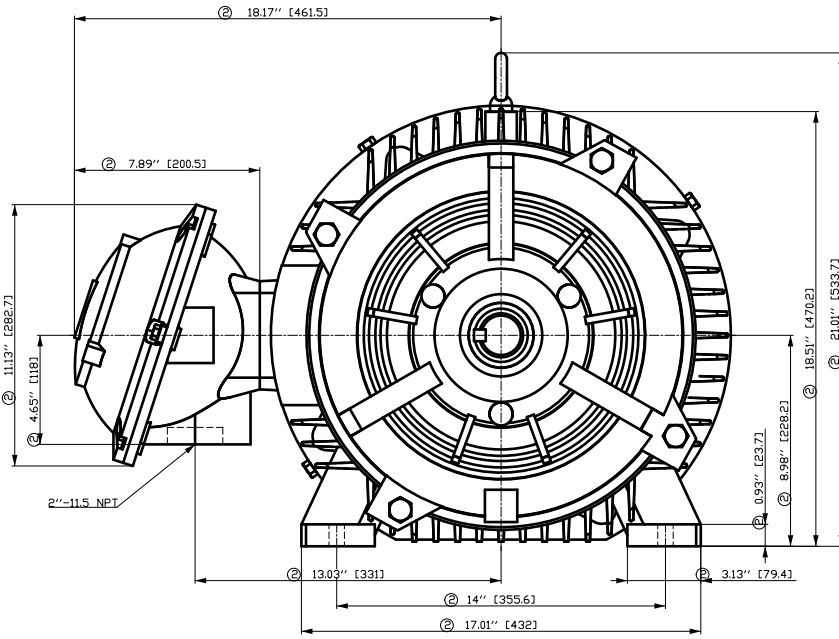
**Terminal box**

Lead Wire Connection	9 LEAD - DELTA	Terminal box position	(3) Mounting - F-1
Voltage	L1 L1 L1 Connected together	Material of terminal box	
LOW	T1 T7 T6 T2 T8 T4 T3 T9 T5	Cable entry	-/-
HIGH	T1 T2 T3 T4 T7-T5 T8-T6 T9		

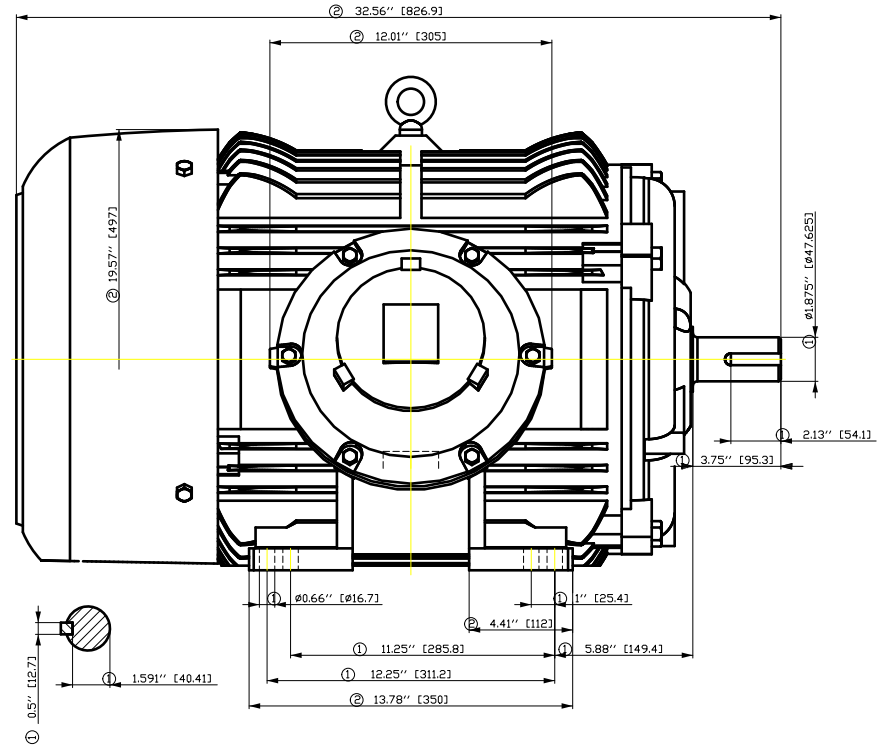
<b>Notes:</b>			
I <sub>r</sub> /I <sub>N</sub> = locked rotor current / current nominal	M <sub>r</sub> /M <sub>N</sub> = locked rotor torque / torque nominal	M <sub>b</sub> /M <sub>N</sub> = break down torque / nominal torque	3) Value is valid only for DOL operation with motor design IC411 2) at rated power / at full load

responsible dep.	technical reference	created by	approved by	<i>Technical data are subject to change! There may be discrepancies between software and hardware versions</i>
DI MC LVM		DT Configurator		

	document type	document status	customer	
	datasheet	released		
	title	document number		
	1MB2121-3DA21-6AG3			
© Siemens AG 2022		rev.	creation date	language Page
		01	2022-04-08 22:23	en 1/1

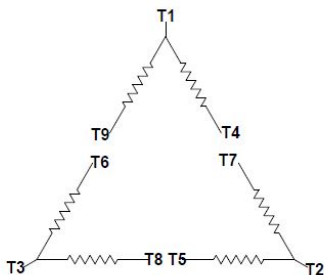


- ① Tolerances according to NEMA std.
- ② All these dimensions corresponding to assemblies and castings shall have a tolerance as per DIN standard 1686-GTB 19.
- ③ Not according to NEMA std.



Tolerance	Surface	Material	Weight Ë	Scale 1:1
FT ÖGFCEÛÖÖEÛÖ ÖÖH Ë	Author Creator Approval Department Change Order	Öã ^)•q }æñ:æq ð* T æ: ^æ@})*		
SIEMENS	Doc. State Revision	I ð ÖG Index RS	MLFB Item No Doc No	Doc Type Paper Size 1st Language 2nd Language
	© Siemens AG 2018	Project No	Ref No	Sheet F of F
		Ë	Ë	

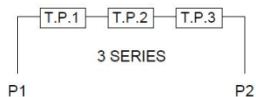
Main terminal diagram



9 LEAD DELTA						
Volts	LINES			CONNECTED TOGETHER	CONN.	
	L1	L2	L3			
LOW	T1 T6	T7 T4	T8 T5	T3 T9		Δ Δ
HIGH	T1	T2	T3	T4 T7-T5 T8-T6 T9		Δ

Motor protection

THERMOSTATS

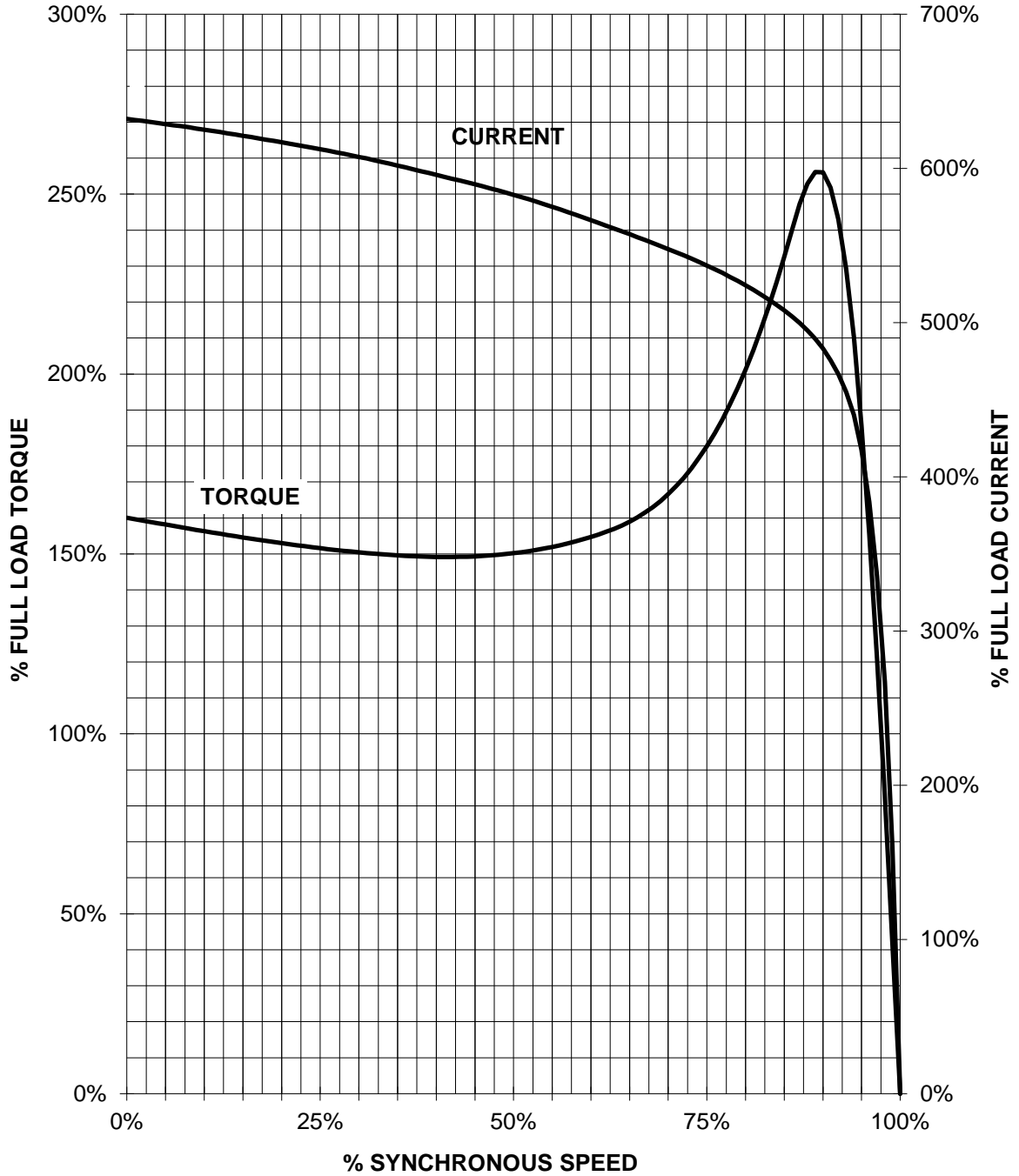


responsible dep. DI MC LVM	technical reference	created by	approved by	Project
<b>SIEMENS</b>	document type Wiring Diagram	document status free		customer
	title 1MB2121-3DA21-6AG3	document number		
© Siemens AG 2019	rev. 01	creation date 12/03/2019	language en	Page 1/1

# SIEMENS INDUSTRY, INC.

HP 75    VOLTS <600    RPM 3600    TYPE XP100  
HZ 60    PHASE 3    FRAME 365TS    NEMA B

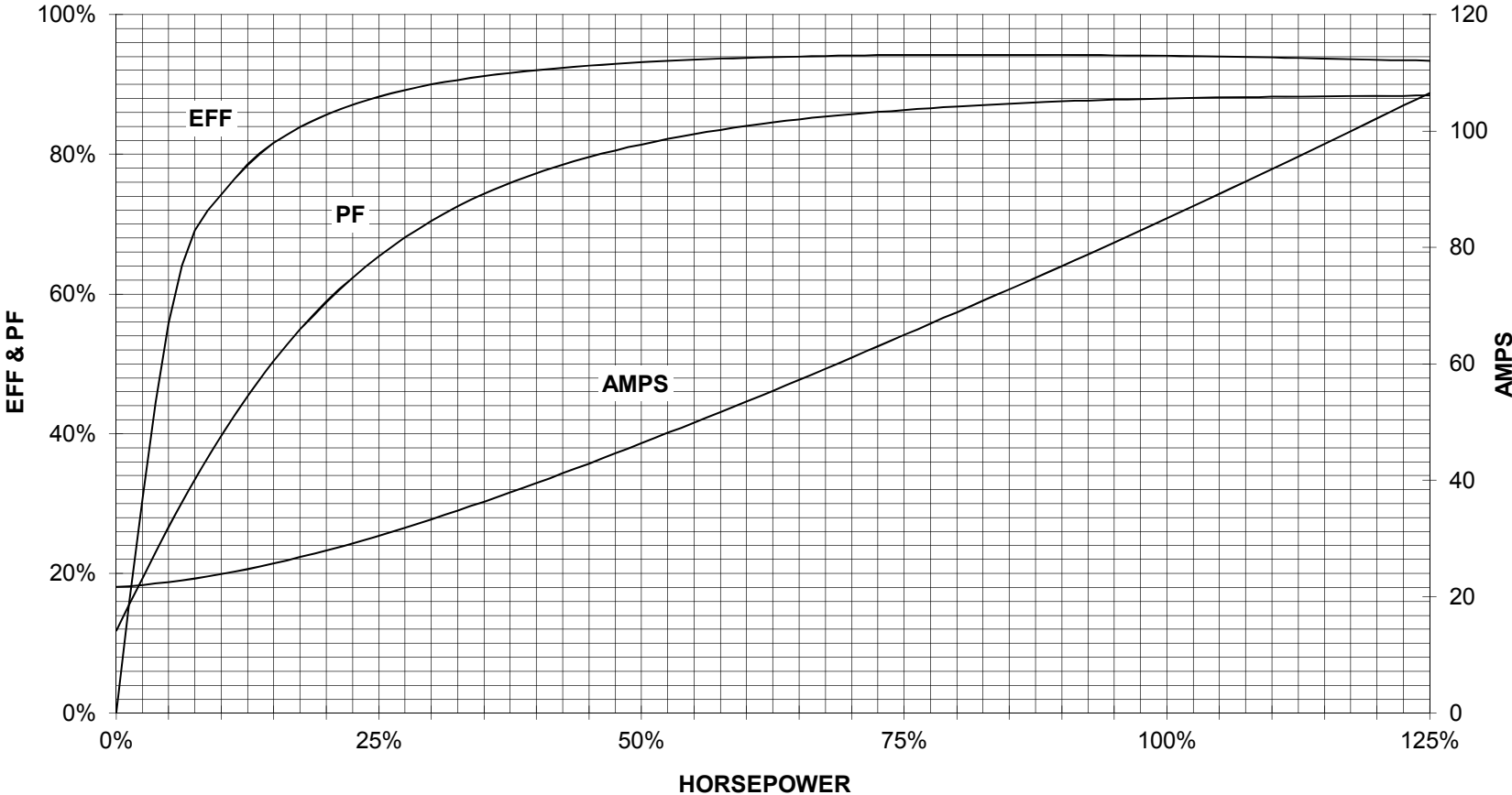
## TORQUE & CURRENT VS. SPEED



CUSTOMER: \_\_\_\_\_ ORDER#: \_\_\_\_\_

75 HP 3600 RPM 365TS FRAME 460 VOLTS 3 PHASE NEMA DESIGN B

**SIEMENS INDSTRY, INC.**  
**PERFORMANCE CURVE**  
**XP100**



CUSTOMER \_\_\_\_\_ ORDER # \_\_\_\_\_ PO # \_\_\_\_\_

PERFORMANCE BASED ON DESIGN CALCULATIONS. SUBJECT TO CHANGE WITHOUT NOTICE.