

Data sheet for three-phase Squirrel-Cage-Motors SIMOTICS

Motor type: FS: 405T - 4p - 100 hp -

Client order no.	Item-No.	Offer no.
Order no.	Consignment no.	Project
Remarks		

Electrical data Class I, Div 1 Gr. C&D; Class II, Div1, Gr. F&G

U [V]	Δ/Y	f [Hz]	P [HP]	P [kW]	n [rpm]	I Load [Amps]					LRC	Nom. Eff Load [%]			Pwr. Factor Load [%]			Torque [lb-ft]	T _A /T _N LRT [%]	T _k /T _N BDT [%]
						4/4	3/4	1/2	0	4/4		3/4	2/4	4/4	3/4	2/4				
575		60	100.00	-/-	1,780	90.40	68.00	48.90	24.00	580.0	95.4	96.0	95.8	87.0	86.0	80.0	295.0	180	200	
Frame Type: 405T		Type of constr.: (A) Foot mounted - End shield				Ins. Cl.:Insulation class F		Motor Prot.:(G) Thermostats, Klixon type, normally closed				NEMA Des.: B		S.F.: 1.15						
Mtr. WT:1,189						Temp. Rise Cl.: B		Amb. Temp.: + to -20 °C @1000 m				kVA: G		IP IP65						

Mechanical data

Sound level (SPL / SWL) at 60 Hz	67.0 dB(A) / 79.0 dB(A)	Thickener	Polyurea
Octave Band Center Frequencies Hertz		Safe Stall Time Hot	25 s
250	500	1000	2000
4000	8000	Hz	
SPL@3		dB(A)	
Moment of inertia	23.4 Lb-ft ²	Safe Stall Time Cold	35 s
Ext Load Inertia Capability:	441.0 Lb ft ²	Frame material	cast iron
Bearings		Color, paint shade	
Bearing DE NDE	6316 Z C3 S0	6316 Z C3 S0	
Bearing_Type	Ball Bearing	Ball Bearing	
AFBMA:	80BC03JP30	80BC03JP30	
Grease		Coating (paint finish)	
Capacity	7.5 oz	7.5 oz	
Grease Type:	Exxon Mobile EM		
		Ventilation Type	
		Method of cooling	TEFC
		Direction of rotation	Bidirectional
		Fan Material	Polypropylen ESD
		VFD	CT: n/a VT: 20:1
		Space heaters	without
		Brake:	-/-


Terminal box

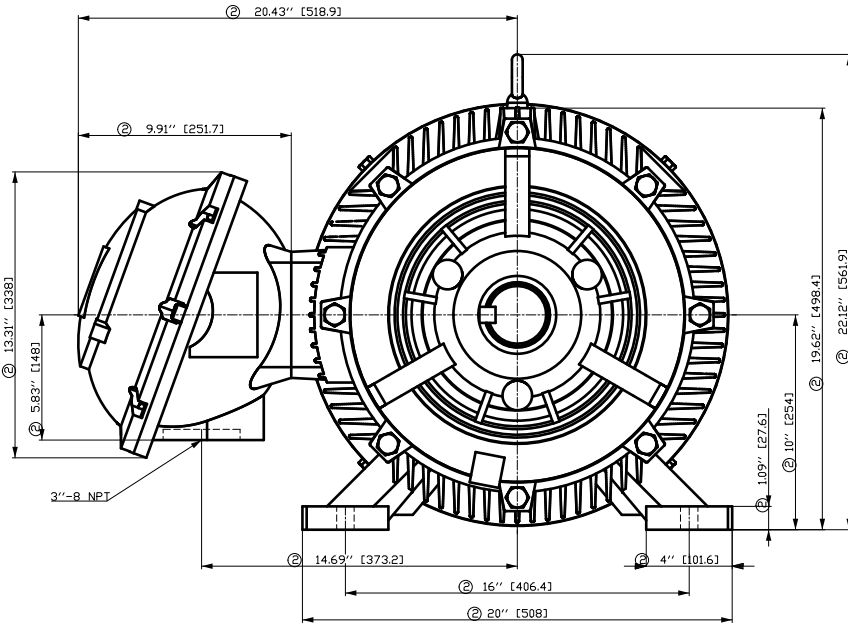
Lead Wire Connection	3 LEAD - DELTA				Terminal box position	(3) Mounting - F-1
Voltage	L1	L1	L1	Connected together	Material of terminal box	
----	----	----	----	----	Cable entry	-/-
----	T1	T2	T3	----		

Notes:

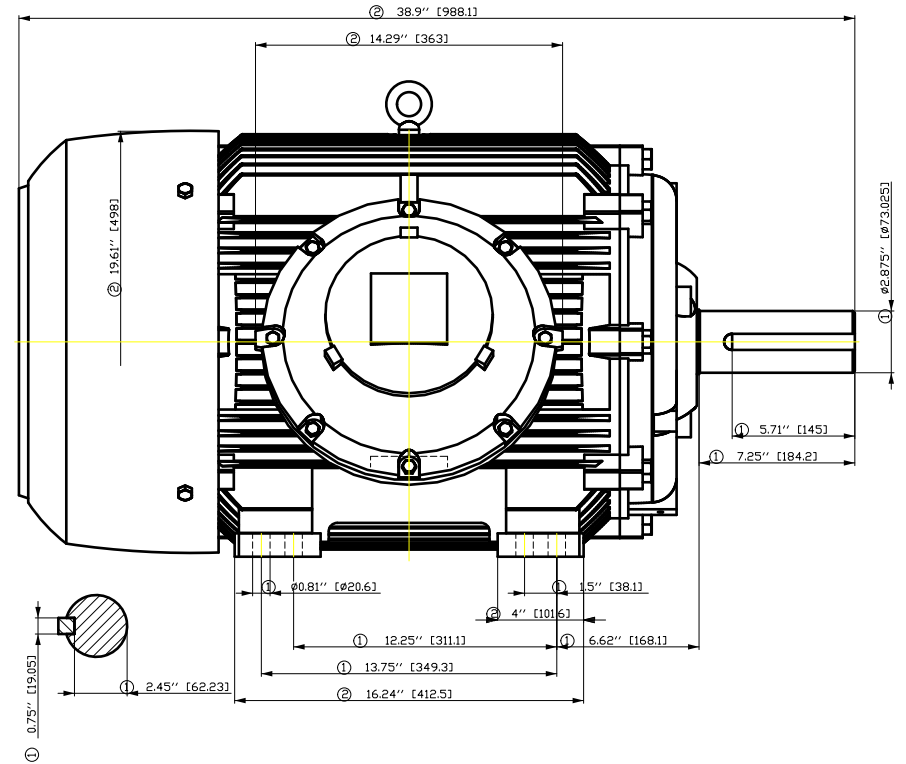
I_L/I_N = locked rotor current / current nominal
M_L/M_N = locked rotor torque / torque nominal
M_k/M_N = break down torque / nominal torque

3) Value is valid only for DOL operation with motor design IC411
2) at rated power I at full load

responsible dep. DI MC LVM	technical reference	created by DT Configurator	approved by	<i>Technical data are subject to change! There may be discrepancies between software and hardware versions</i>			
	document type datasheet	document status released		customer			
	title 1MB2121-4AB21-3AG3	document number					
© Siemens AG 2022	rev. 01	creation date 2022-04-08 22:44	language en	Page 1/1			

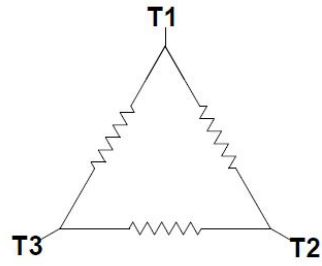


- ① Tolerances according to NEMA std.
- ② All these dimensions corresponding to assemblies and castings shall have a tolerance as per DIN standard 1686-GTB 19.
- ③ Not according to NEMA std.



Tolerance	Surface	Material	Weight	Scale
FT ÖGFCFÈ ÖÖGFCFÈ ÖÖH È	Author Creator Approval Department Change Order	Öà ^)•ä }àèèä ä* T àè : ^ä@` }*	È	{ {
SIEMENS	Doc. State	I ð ÈÈG	MFB	Doc Type
	Revision	Index RS	Item No	Paper Size
	Project No	È	Doc No	1st Language ^) 2nd Language à^
© Siemens AG 2018	Project No	È	Ref No	È
				Sheet F of F

Main terminal diagram



3 LEAD DELTA			
LINES			CONN.
L1	L2	L3	
T1	T2	T3	Δ

Motor protection

THERMOSTATS



responsible dep.
DI MC LVM

technical reference

created by

approved by

Project

SIEMENS

document type
Wiring Diagram

title
1MB2121-4AB21-3AG3

document status
free

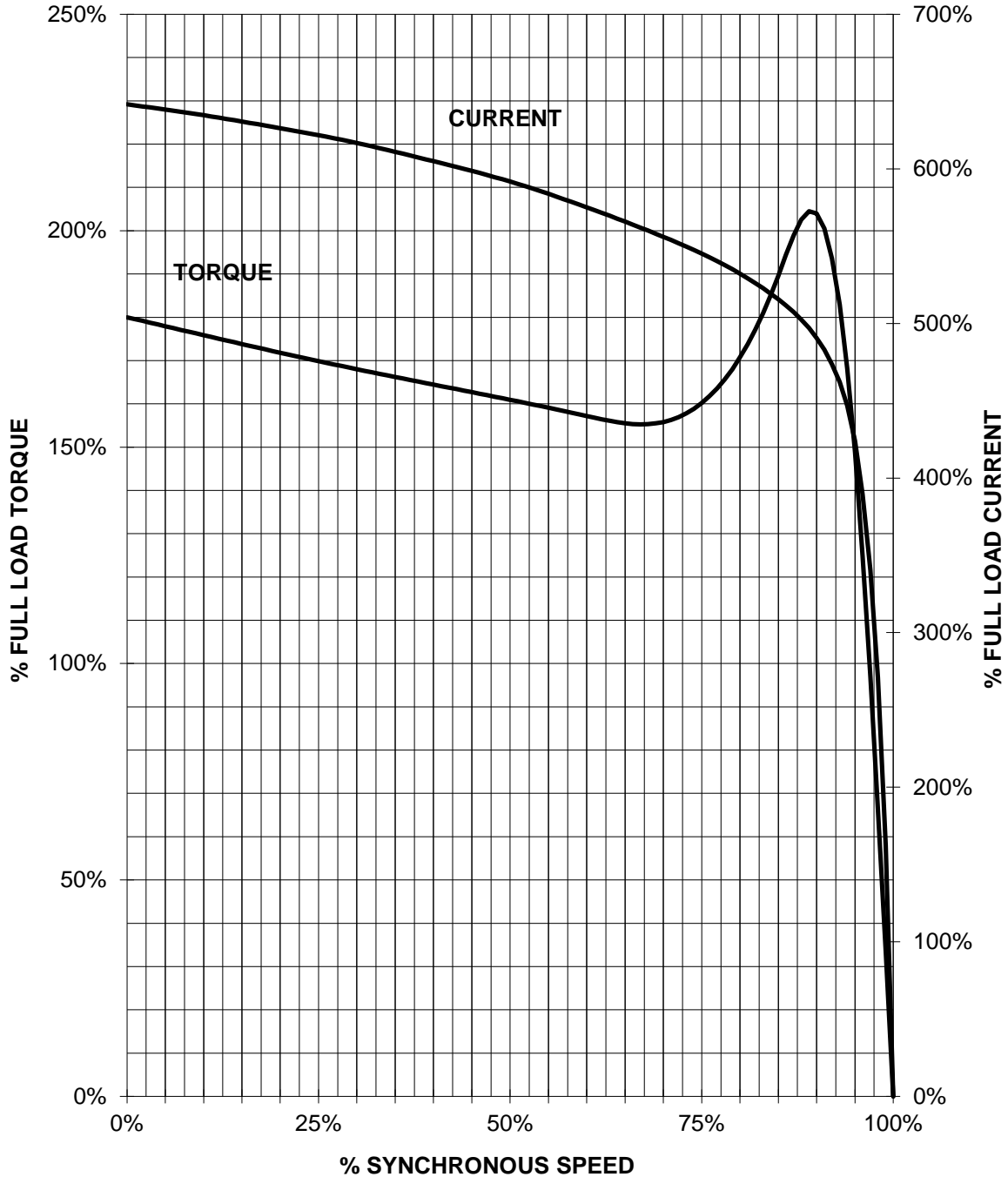
document number

customer

SIEMENS INDUSTRY INC.

HP 100 VOLTS <600 RPM 1800 TYPE XP100
HZ 60 PHASE 3 FRAME 405T NEMA B

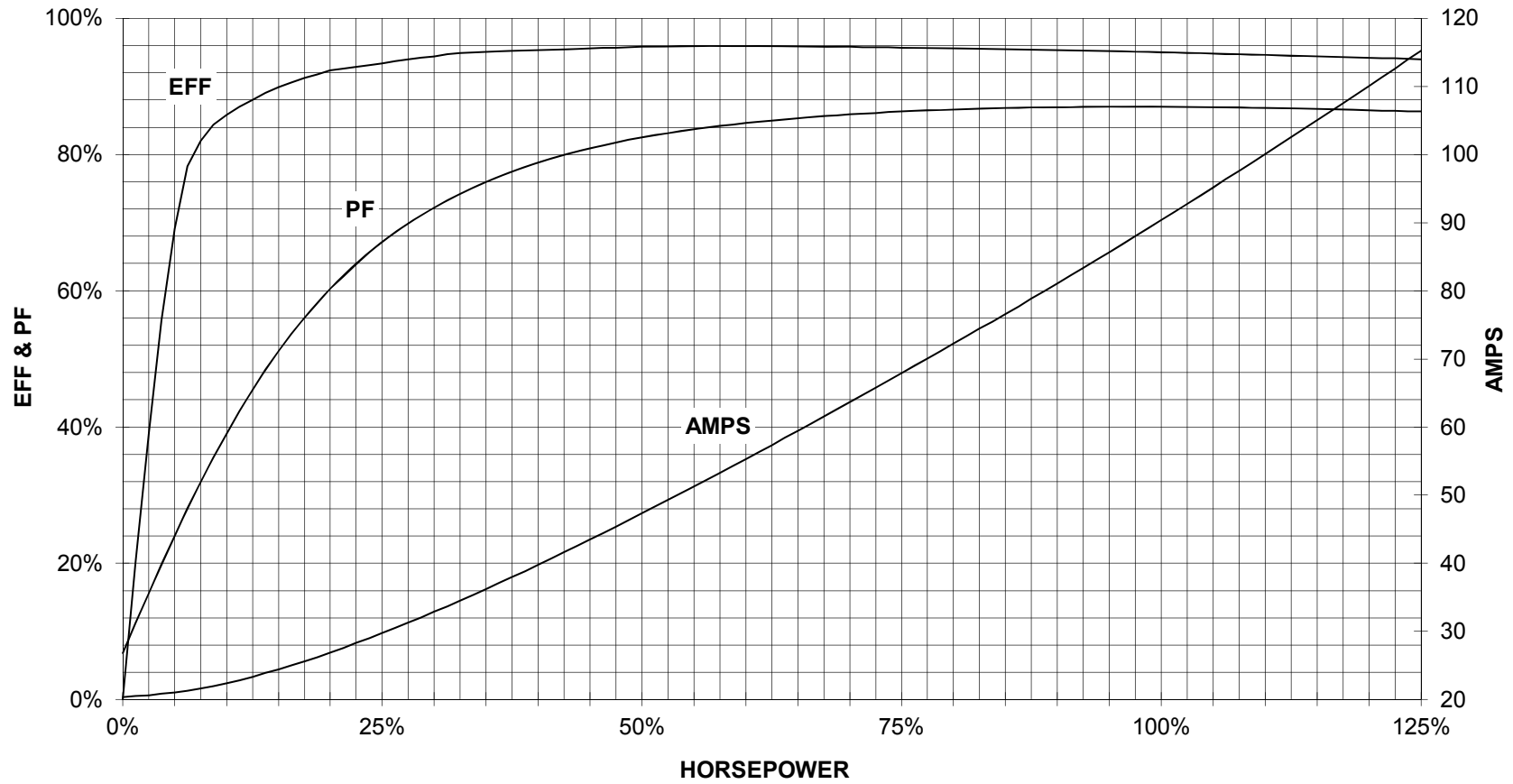
TORQUE & CURRENT VS. SPEED



CUSTOMER: _____ ORDER#: _____

100 HP 1800 RPM 405T FRAME 575 VOLTS 3 PHASE NEMA DESIGN B

SIEMENS INDUSTRY, INC.
PERFORMANCE CURVE
XP100



CUSTOMER _____ ORDER # _____ PO # _____

PERFORMANCE BASED ON DESIGN CALCULATIONS. SUBJECT TO CHANGE WITHOUT NOTICE.

REV. 1