

Data sheet for three-phase Squirrel-Cage-Motors SIMOTICS

Motor type: FS: 444TS - 2p - 125 hp -

Client order no.	Item-No.	Offer no.
Order no.	Consignment no.	Project
Remarks		

Electrical data Class I, Div 1 Gr. C&D; Class II, Div1, Gr. F&G

U [V]	Δ/Y	f [Hz]	P [HP]	P [kW]	n [rpm]	I Load [Amps]					LRC	Nom. Eff Load [%]			Pwr. Factor Load [%]			Torque [lb-ft]	T _A /T _N LRT [%]	T _k /T _N BDT [%]
						4/4	3/4	1/2	0			4/4	3/4	2/4	4/4	3/4	2/4			
575		60	125.00	-/-	3,575	110.40	83.90	59.00	25.60	726.4	95.0	95.1	94.5	89.0	88.0	84.0	184.0	120	200	
Frame Type: 444TS		Type of constr.: (A) Foot mounted - End shield				Ins. Cl.:Insulation class F		Motor Prot.:(G) Thermostats, Klixon type, normally closed				NEMA Des.: B		S.F.: 1.15						
Mtr. WT:1,450						Temp. Rise Cl.: B		Amb. Temp.: + to -20 °C @1000 m				kVA: G		IP IP65						


Mechanical data

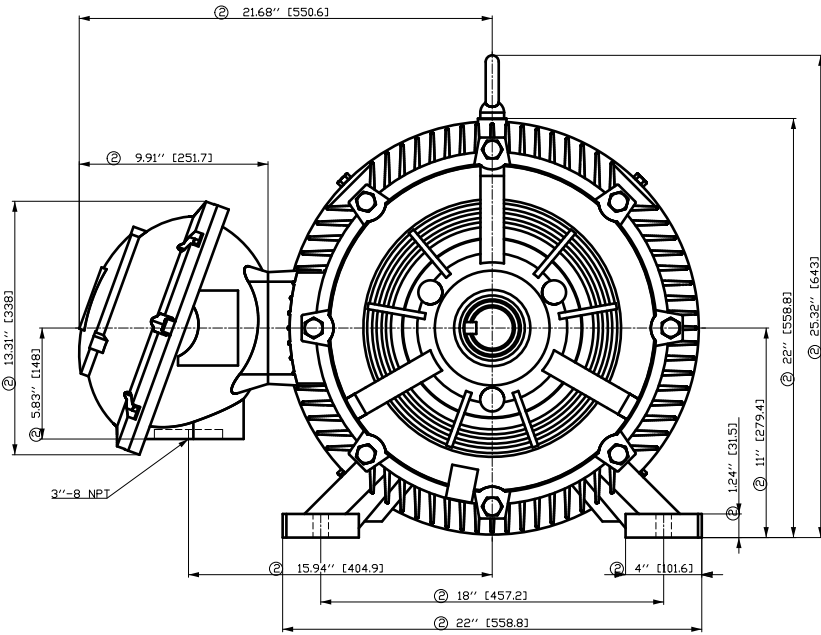
Sound level (SPL / SWL) at 60 Hz	79.0 dB(A) / 90.0 dB(A)	Thickener	Polyurea
Octave Band Center Frequencies Hertz		Safe Stall Time Hot	18 s
250	500	1000	2000
4000	8000	Hz	
SPL@3	dB(A)		Safe Stall Time Cold
		Frame material	cast iron
Moment of inertia	20.9 Lb-ft ²	Color, paint shade	
Ext Load Inertia Capability:	113.0 Lb ft ²	Coating (paint finish)	
Bearings		Ventilation Type	
Bearing DE NDE	6316 Z C3 S0	6316 Z C3 S0	Method of cooling
Bearing_Type	Ball Bearing	Ball Bearing	TEFC
AFBMA:	80BC03JP30	80BC03JP30	Direction of rotation
Grease		Fan Material	
Capacity	7.5 oz	7.5 oz	Polypropylen ESD
Grease Type:	Exxon Mobile EM		VFD
		Space heaters	CT: n/a VT: 20:1
		Brake:	without
			-/-

Terminal box

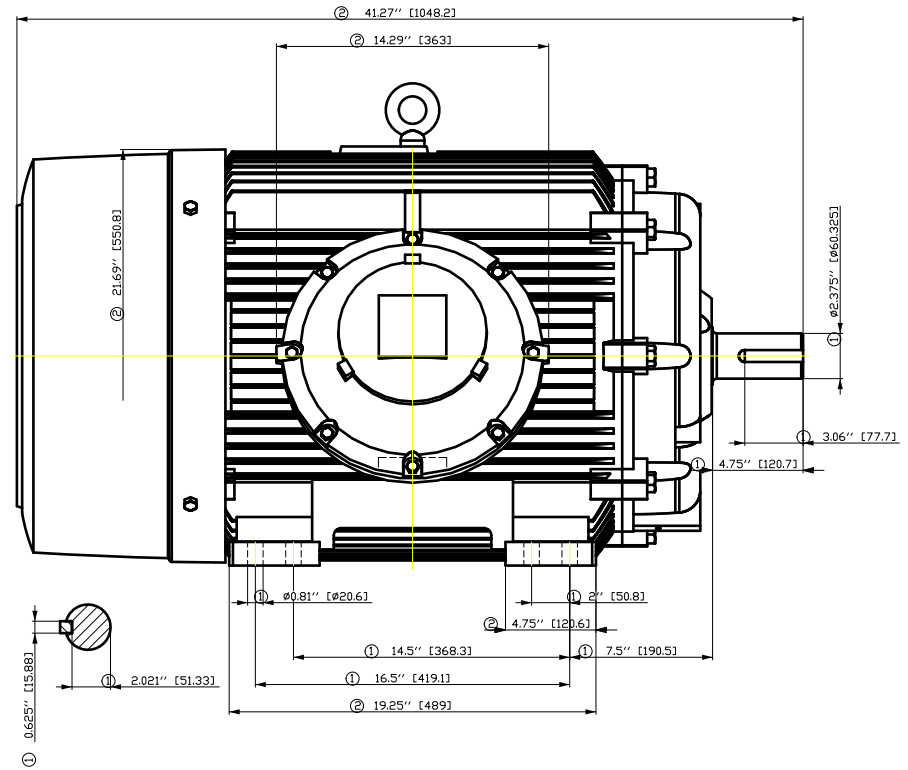
Lead Wire Connection	6 LEAD - DELTA	Terminal box position	(3) Mounting - F-1
Voltage	L1	L1	L1
	Connected together	Material of terminal box	
----	----	Cable entry	-/-
----	T1	T2	T3

Notes:			
I _L /I _N = locked rotor current / current nominal	M _L /M _N = locked rotor torque / torque nominal	M _B /M _N = break down torque / nominal torque	3) Value is valid only for DOL operation with motor design IC411 2) at rated power / at full load

responsible dep. DI MC LVM	technical reference	created by DT Configurator	approved by	<i>Technical data are subject to change! There may be discrepancies between software and hardware versions</i>			
	document type datasheet	document status released	customer				
	title 1MB2121-4DA11-3AG3	document number	rev.	creation date	language	Page	
© Siemens AG 2022		01	2022-04-09 02:06	en	1/1		

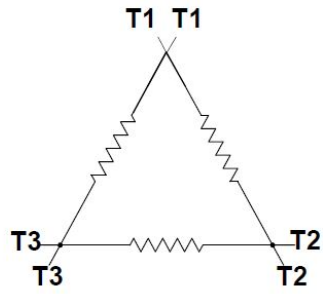


- ① Tolerances according to NEMA std.
- ② All these dimensions corresponding to assemblies and castings shall have a tolerance as per DIN standard 1686-GTB 19.
- ③ Not according to NEMA std.



Tolerance	Surface	Material	Weight	Scale
FT ÖGF CF Æ ÖÖFF Æ ÖÖH	Author	ÖV S T æ : ^ æ @ } *	E	
È	Creator			
	Approval			
	Department			
	Change Order	MFB	Doc Type	/
	Doc. State	I E B G G	Item No	Paper Size
	Revision	Index	RS	1st Language
				2nd Language
© Siemens AG	2018	Project No	È	Ref No
			È	Sheet
			F	of F

Main terminal diagram



6 LEAD DELTA			
LINES			CONN.
L1	L2	L3	
T1	T2	T3	Δ

Motor protection

THERMOSTATS



responsible dep.
DI MC LVM

technical reference

created by

approved by

Project

SIEMENS

document type
Wiring Diagram

title
1MB2121-4DA11-3AG3

document status
free

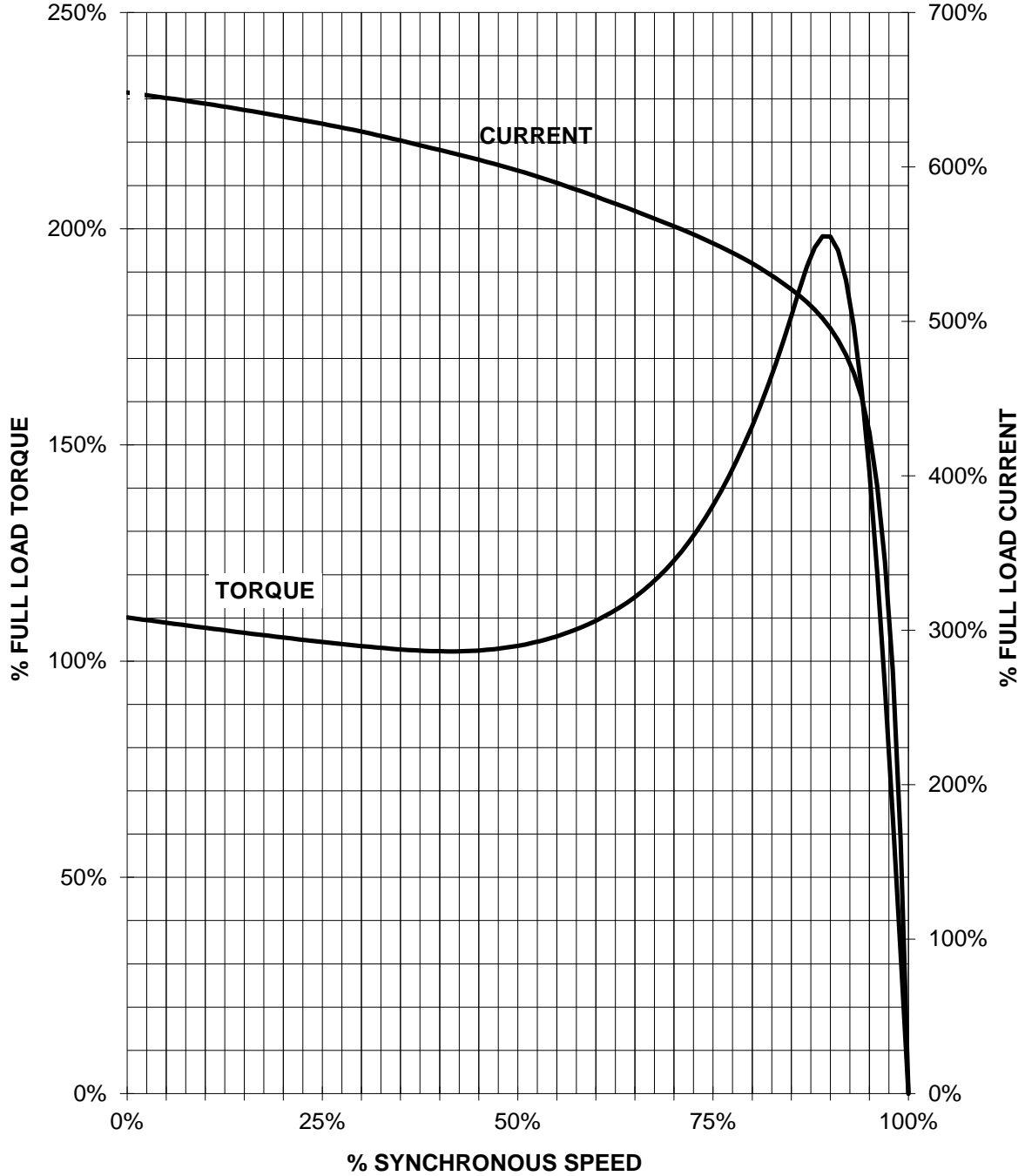
document number

customer

SIEMENS INDUSTRY, INC.

HP 125 VOLTS <600 RPM 3600 TYPE XP100
HZ 60 PHASE 3 FRAME 444TS NEMA B

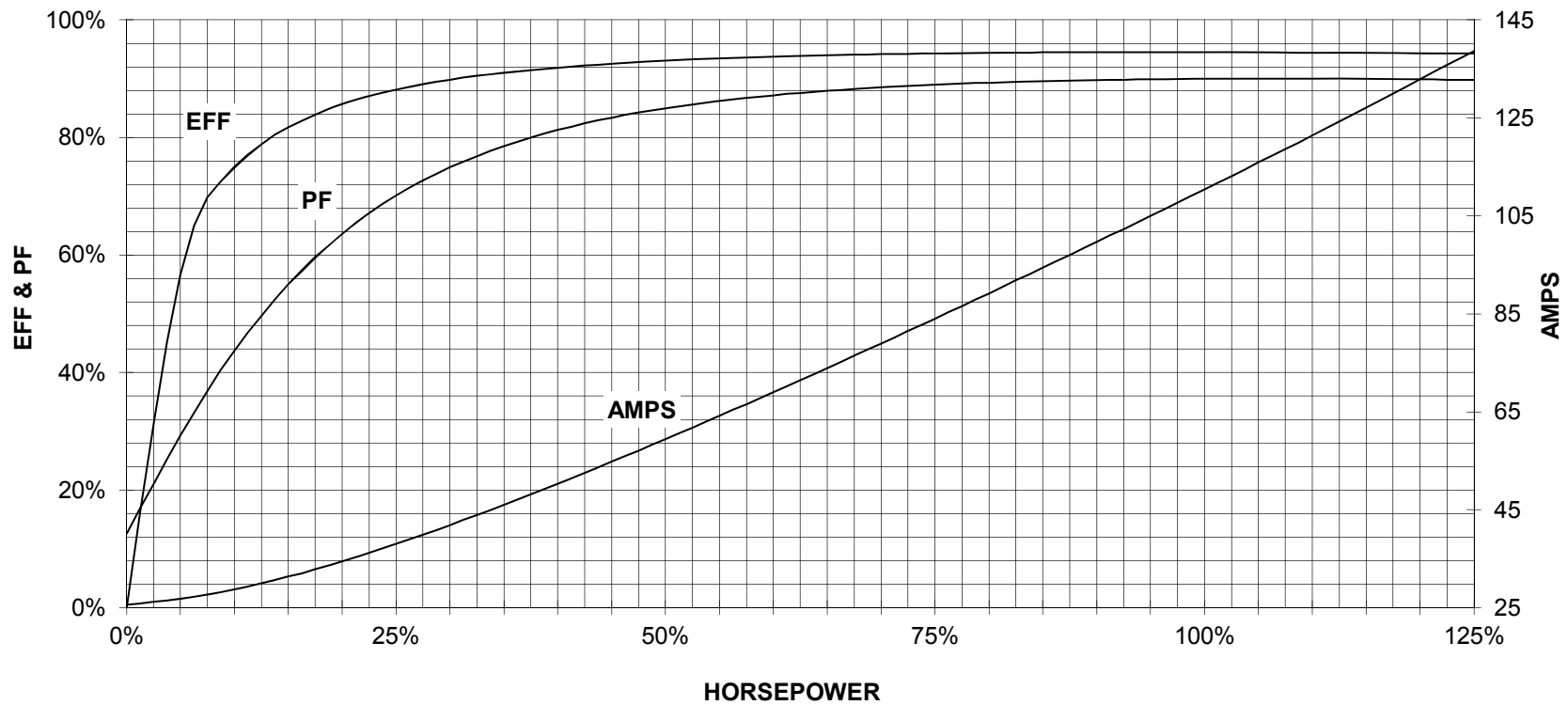
TORQUE & CURRENT VS. SPEED



CUSTOMER: _____ ORDER#: _____

125 HP 3600 RPM 444TS FRAME 575 VOLTS 3 PHASE NEMA DESIGN B

**SIEMENS INDUSTRY, INC.
PERFORMANCE CURVE
XP100**



CUSTOMER _____ ORDER # _____ PO # _____

PERFORMANCE BASED ON DESIGN CALCULATIONS. SUBJECT TO CHANGE WITHOUT NOTICE.

REV. 1