

Data sheet for three-phase Squirrel-Cage-Motors SIMOTICS

Motor type: FS: 449TS - 4p - 250 hp -

Client order no.	Item-No.	Offer no.
Order no.	Consignment no.	Project
Remarks		

Electrical data Class I, Div 1 Gr. C&D; Class II, Div1, Gr. F&G

U [V]	Δ/Y	f [Hz]	P [HP]	P [kW]	n [rpm]	I Load [Amps]					LRC	Nom. Eff Load [%]			Pwr. Factor Load [%]			Torque [lb-ft]	T _A /T _N LRT [%]	T _k /T _N BDT [%]
						4/4	3/4	1/2	0			4/4	3/4	2/4	4/4	3/4	2/4			
575		60	250.00	-/-	1,785	222.40	171.60	124.90	72.00	1680.0	96.2	96.3	96.1	87.0	85.0	78.0	735.0	140	200	
Frame Type: 449TS		Type of constr.: (A) Foot mounted - End shield				Ins. Cl.:Insulation class F		Motor Prot.:(G) Thermostats, Klixon type, normally closed				NEMA Des.: A		S.F.: 1.15						
Mtr. WT:2,490						Temp. Rise Cl.: B		Amb. Temp.: + to -20 °C @1000 m				kVA: H		IP IP65						


Mechanical data

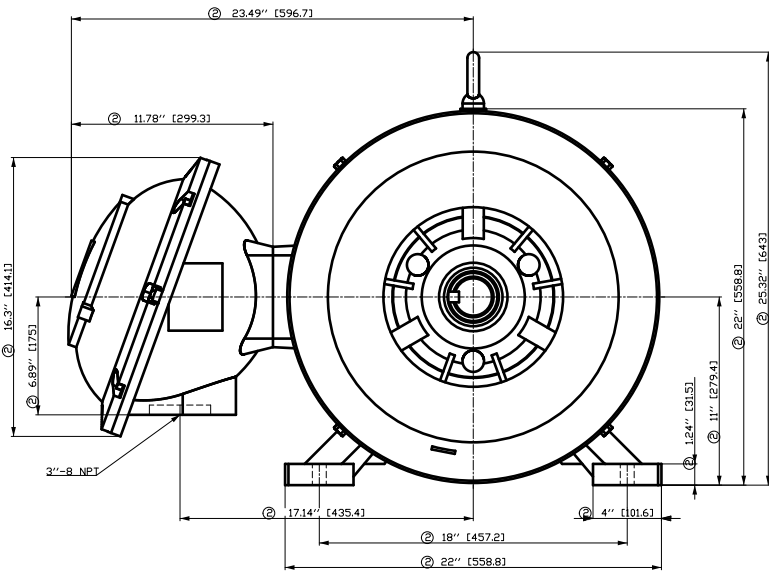
Sound level (SPL / SWL) at 60 Hz	76.0 dB(A) / 87.0 dB(A)	Thickener	Polyurea
Octave Band Center Frequencies Hertz		Safe Stall Time Hot	18 s
250	500	1000	2000
4000	8000	Hz	
SPL@3	dB(A)		Safe Stall Time Cold
		Frame material	cast iron
Moment of inertia	69.1 Lb-ft ²	Color, paint shade	
Ext Load Inertia Capability:	1020.0 Lb ft ²	Coating (paint finish)	
Bearings		Ventilation Type	
Bearing DE NDE	6316 Z C3 S0	6316 Z C3 S0	Method of cooling
Bearing_Type	Ball Bearing	Ball Bearing	TEFC
AFBMA:	80BC03JP30	80BC03JP30	Direction of rotation
Grease		Fan Material	
Capacity	7.5 oz	7.5 oz	Polypropylen ESD
Grease Type:	Exxon Mobile EM		VFD
		Space heaters	CT: n/a VT: 20:1
		Brake:	without
			-/-

Terminal box

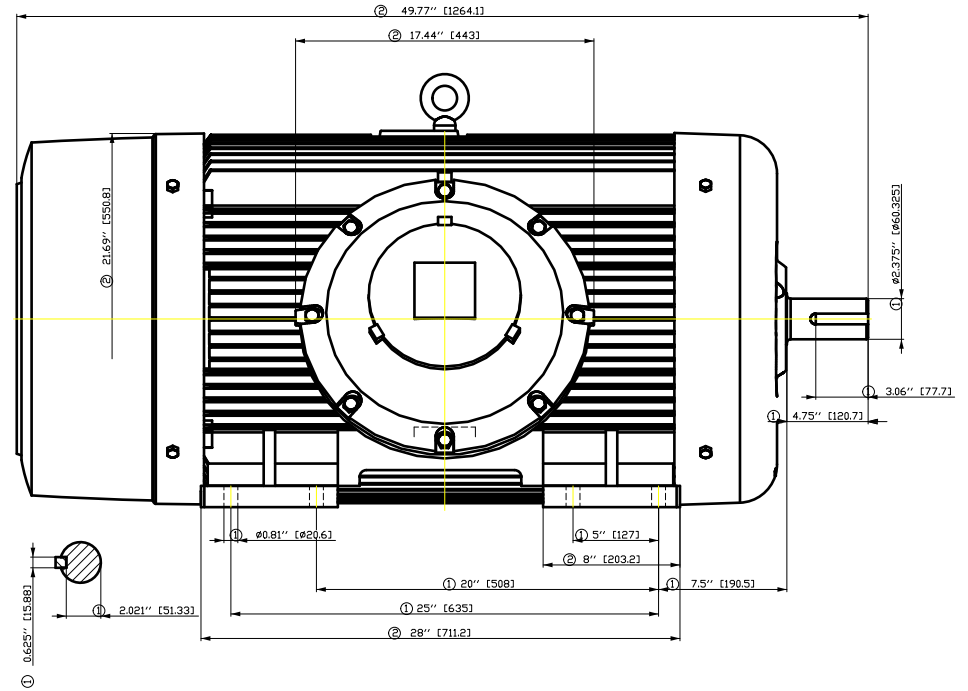
Lead Wire Connection	6 LEAD - DELTA				Terminal box position	(3) Mounting - F-1
Voltage	L1	L1	L1	Connected together	Material of terminal box	
----	----	----	----	----	Cable entry	-/-
----	T1	T2	T3	----		

Notes:
 I_r/I_N = locked rotor current / current nominal
 M_r/M_N = locked rotor torque / torque nominal
 M_b/M_N = break down torque / nominal torque
 3) Value is valid only for DOL operation with motor design IC411
 2) at rated power / at full load

responsible dep. DI MC LVM	technical reference	created by DT Configurator	approved by	<i>Technical data are subject to change! There may be discrepancies between software and hardware versions</i>			
	document type datasheet	document status released		customer			
	title 1MB2121-4DB51-3AG3	document number					
© Siemens AG 2022	rev. 01	creation date 2022-04-09 02:13	language en	Page 1/1			

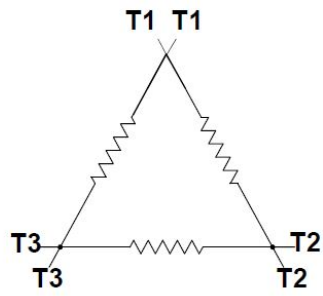


- ① Tolerances according to NEMA std.
- ② All these dimensions corresponding to assemblies and castings shall have a tolerance as per DIN standard 1686-GTB 19.
- ③ Not according to NEMA std.



Tolerance	Surface	Material	Weight	Scale
FT ÖGF:Ö ÖÖÍ FÉ:ÖÖH	Author	ÖÖ }•} }ÖÖ:ÖÖ }•*	É	{ {
É	Creator	ÖVS		
	Approval	T ÖÖ : ^ Ö Ö @ } } *		
	Department			
	Change Order	MLFB		Doc Type /
SIEMENS	Doc. State	I EEEG	Item No	Paper Size CH
© Siemens AG 2018	Revision	Index RS	Doc No	1st Language ^ } 2nd Language â ^
	Project No	É	Ref No	É
				Sheet F of F

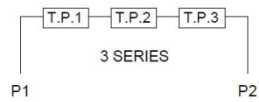
Main terminal diagram



6 LEAD DELTA			
LINES			CONN.
L1	L2	L3	
T1	T2	T3	Δ

Motor protection

THERMOSTATS



responsible dep.
DI MC LVM

technical reference

created by

approved by

Project

SIEMENS

document type
Wiring Diagram

title
1MB2121-4DB51-3AG3

document status
free

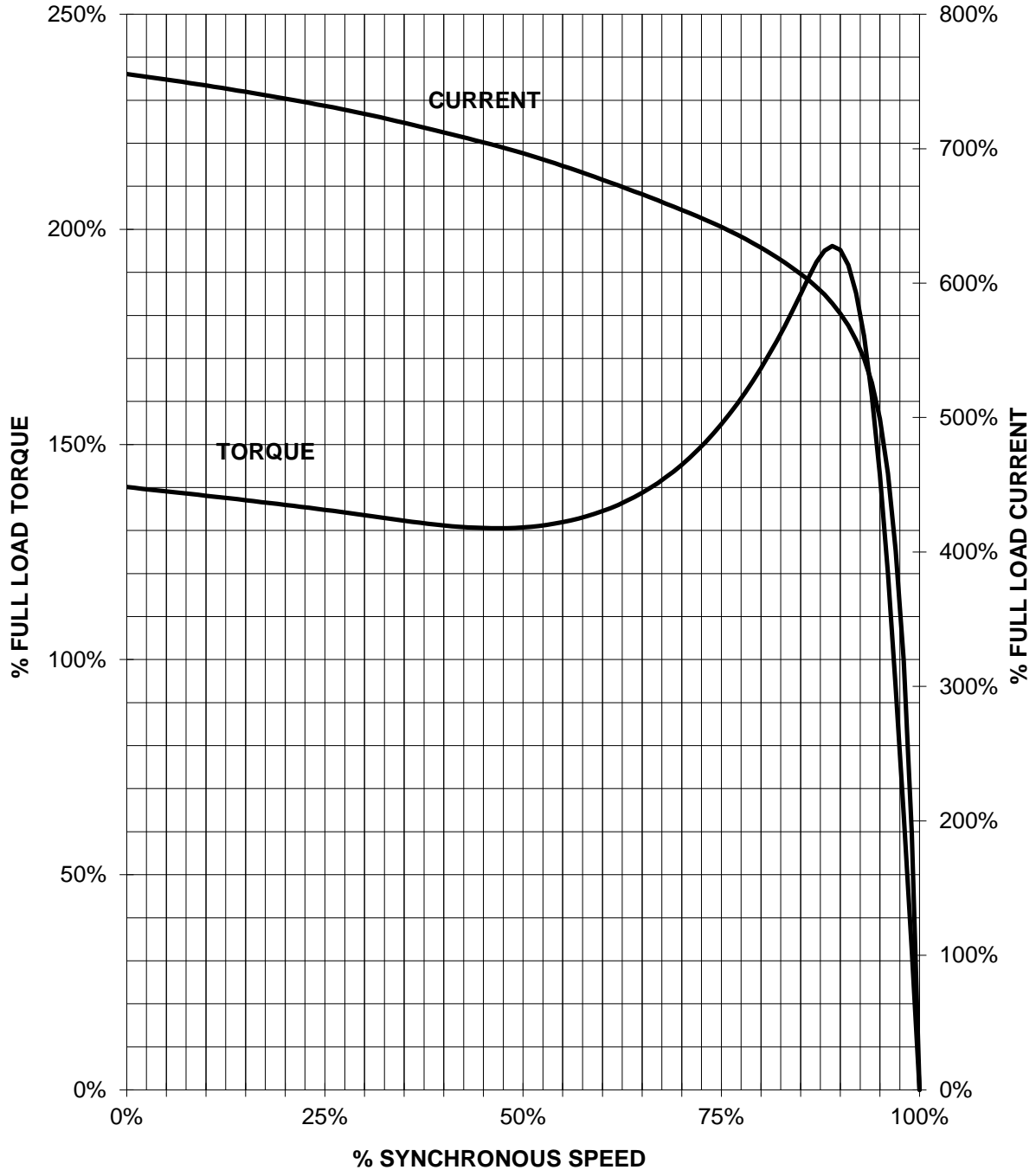
document number

customer

SIEMENS INDUSTRY, INC.

HP 250 VOLTS <600 RPM 1800 TYPE XP100
HZ 60 PHASE 3 FRAME 449TS NEMA B

TORQUE & CURRENT VS. SPEED



CUSTOMER: _____ ORDER#: _____