

# Data sheet for three-phase Squirrel-Cage-Motors SIMOTICS

**Motor type:** FS: 326T - 6p - 30 hp -

|                  |                 |           |
|------------------|-----------------|-----------|
| Client order no. | Item-No.        | Offer no. |
| Order no.        | Consignment no. | Project   |

Remarks

**Electrical data** **Class I Division 1 Groups D**

| U [V] | $\Delta/Y$ | f [Hz] | P [HP] | P [kW] | n [rpm] | I Load [Amps] |       |       |       |       | Nom. Eff Load [%] |      |      | Pwr. Factor Load [%] |      |      | Torque [lb-ft] | T <sub>A</sub> /T <sub>N</sub> LRT [%] | T <sub>k</sub> /T <sub>N</sub> BDT [%] |
|-------|------------|--------|--------|--------|---------|---------------|-------|-------|-------|-------|-------------------|------|------|----------------------|------|------|----------------|--|--|
|       |            |        |        |        |         | 4/4           | 3/4   | 1/2   | 0     | LRC   | 4/4               | 3/4  | 2/4  | 4/4                  | 3/4  | 2/4  |                |  |  |
| 460   |            | 60     | 30.00  | -/-    | 1,185   | 39.00         | 30.90 | 23.60 | 15.00 | 218.0 | 93.0              | 93.5 | 93.1 | 77.0                 | 73.0 | 64.0 | 133.0          | 170                                    | 220                                    |
| 230   |            | 60     | 30.00  | -/-    | 1,185   | 78.00         |       |       |       |       | 93.0              | 93.5 | 93.1 | 77.0                 | 73.0 | 64.0 | 133.0          | 170                                    | 220                                    |

|                  |  |                             |                                       |              |            |
|------------------|--|-----------------------------|---------------------------------------|--------------|------------|
| Frame Type: 326T | Type of constr.: (A) Foot mounted - End shield | Ins. Cl.:Insulation class F | Motor Prot.:(A) No winding protection | NEMA Des.: B | S.F.: 1.15 |
| Mtr. WT:685      |  | Temp. Rise Cl.: B           | Amb. Temp.: + to -20 °C @1000 m       | kVA: G       | IP IP65    |

**Mechanical data**


|                                      |                                |                         |                  |
|--------------------------------------|--------------------------------|-------------------------|------------------|
| Sound level (SPL / SWL) at 60 Hz     | 65.0 dB(A) / 76.0 dB(A)        | Thickener               | Polyurea         |
| Octave Band Center Frequencies Hertz | 250 500 1000 2000 4000 8000 Hz | Safe Stall Time Hot     | 26 s             |
| SPL@3                                |                                | Safe Stall Time Cold    | 52 s             |
| Moment of inertia                    | 10.2 Lb-ft <sup>2</sup>        | Frame material          | cast iron        |
| Ext Load Inertia Capability:         | 384.0 Lb ft <sup>2</sup>       | Color, paint shade      |                  |
| <b>Bearings</b>                      |                                | Coating (paint finish)  |                  |
| Bearing DE   NDE                     | 6312 Z C3 S0   6312 Z C3 S0    | <b>Ventilation Type</b> |                  |
| Bearing_Type                         | Ball Bearing   Ball Bearing    | Method of cooling       | TEFC             |
| AFBMA:                               | 60BC03JP30   60BC03JP30        | Direction of rotation   | Bidirectional    |
| <b>Grease</b>                        |                                | Fan Material            | Polypropylen ESD |
| Capacity                             | 5.5 oz   5.5 oz                | VFD                     | CT: 4:1 VT: 20:1 |
| Grease Type:                         | Exxon Mobile EM                | Space heaters           | without          |
|                                      |                                | Brake:                  | -/-              |

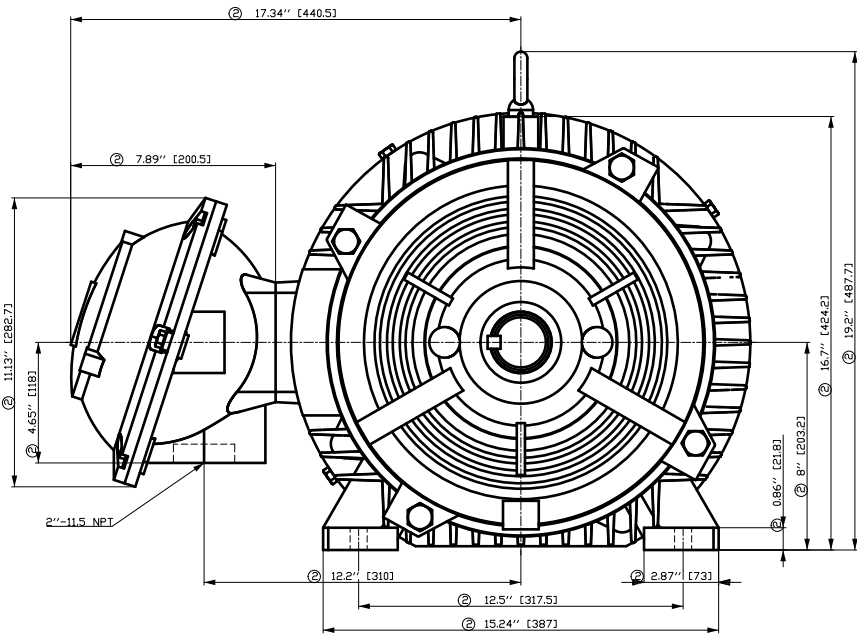
**Terminal box**

|                      |                                |                          |                    |
|----------------------|--------------------------------|--------------------------|--------------------|
| Lead Wire Connection | 9 LEAD - DELTA                 | Terminal box position    | (3) Mounting - F-1 |
| Voltage              | L1 L1 L1 Connected together    | Material of terminal box |                    |
| LOW                  | T1 T7 T6 T2 T8 T4 T3 T9 T5 --- | Cable entry              | -/-                |
| HIGH                 | T1 T2 T3 T4 T7-T5 T8-T6 T9     |                          |                    |

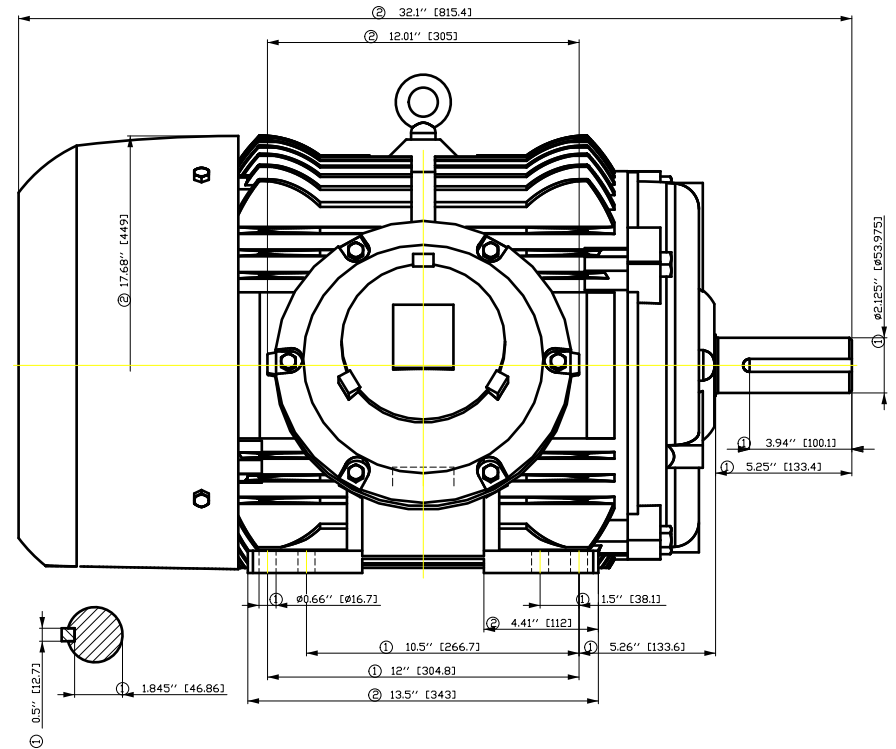
**Notes:**  
 I<sub>L</sub>/I<sub>N</sub> = locked rotor current / current nominal  
 M<sub>L</sub>/M<sub>N</sub> = locked rotor torque / torque nominal  
 M<sub>d</sub>/M<sub>N</sub> = break down torque / nominal torque  
 3) Value is valid only for DOL operation with motor design IC411  
 2) at rated power / at full load

|                               |                     |                               |             |  |
|-------------------------------|---------------------|-------------------------------|-------------|--|
| responsible dep.<br>DI MC LVM | technical reference | created by<br>DT Configurator | approved by | <i>Technical data are subject to change! There may be discrepancies between software and hardware versions</i> |
|-------------------------------|---------------------|-------------------------------|-------------|--|

|  |                             |                             |             |                                   |
|--|-----------------------------|-----------------------------|-------------|-----------------------------------|
|  | document type<br>datasheet  | document status<br>released | customer    |                                   |
|  | title<br>1MB2221-3AC21-6AA3 | document number             | rev.<br>01  | creation date<br>2022-04-08 21:46 |
| © Siemens AG 2022  |                             | language<br>en              | Page<br>1/1 |                                   |

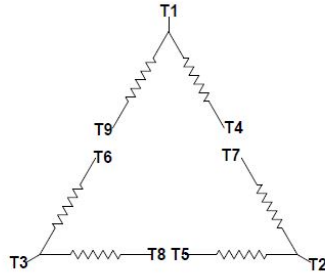


- ① Tolerances according to NEMA std.
- ② All these dimensions corresponding to assemblies and castings shall have a tolerance as per DIN standard 1686-GTB 19.
- ③ Not according to NEMA std.



| Tolerance                  | Surface   | Material         | Weight       | Scale  |
|----------------------------|---|------------------|--------------|--------|
| FT ÖGGEF-H-ÖGGEF-ÖEIH<br>E | Author<br>Creator<br>Approval<br>Department<br>Change Order | ÖS<br>Tæ: ^æ@`)* | E            | 1:1    |
|                            | Doc. State<br>Revision                                      |                  |              |        |
|                            | Index<br>RS   | MFB              | Doc Type     |        |
| <b>SIEMENS</b>             |   | Item No          | Paper Size   | ÖH     |
| © Siemens AG 2018          |   | Doc No           | 1st Language | ^)     |
|                            | Project No  | Ref No           | 2nd Language | ä^     |
|                            | E   | E                | Sheet        | F of F |

Main terminal diagram



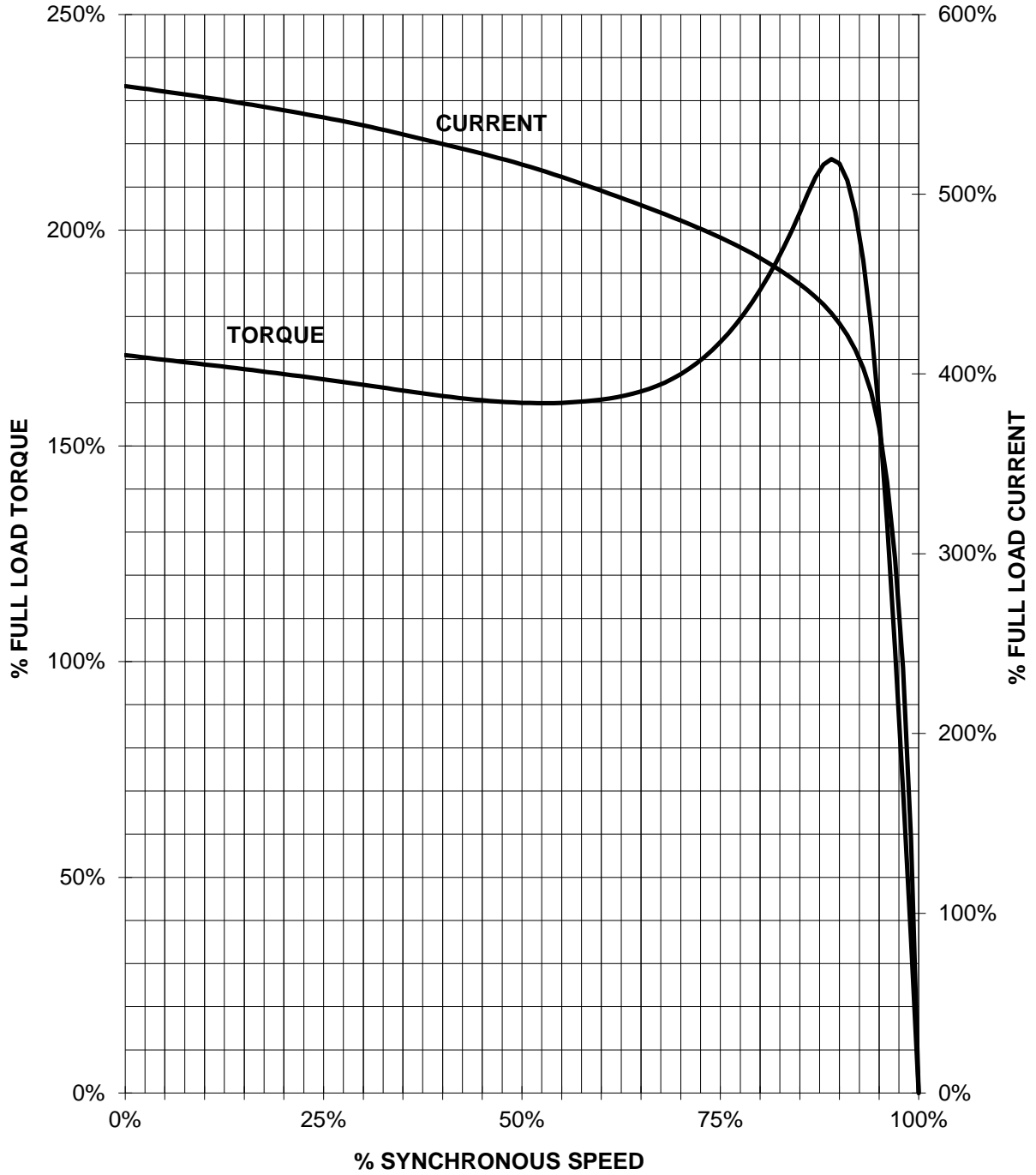
| 9 LEAD DELTA |          |          |          |                    |       |     |
|--------------|----------|----------|----------|--------------------|-------|-----|
| Volts        | LINES    |          |          | CONNECTED TOGETHER | CONN. |     |
|              | L1       | L2       | L3       |                    |       |     |
| LOW          | T1<br>T6 | T7<br>T4 | T8<br>T5 | T3<br>T9           |       | Δ Δ |
| HIGH         | T1       | T2       | T3       | T4 T7-T5 T8-T6 T9  |       | Δ   |

|                               |                                 |                             |                |             |
|-------------------------------|---------------------------------|-----------------------------|----------------|-------------|
| responsible dep.<br>DI MC LVM | technical reference             | created by                  | approved by    | Project     |
| <b>SIEMENS</b>                | document type<br>Wiring Diagram | document status<br>free     |                | customer    |
|                               | title<br>1MB2221-3AC21-6AA3     | document number             |                |             |
| © Siemens AG 2019             | rev.<br>01                      | creation date<br>12/03/2019 | language<br>en | Page<br>1/1 |

# SIEMENS INDUSTRY, INC.

HP 30    VOLTS <600    RPM 1200    TYPE XP100 1D1  
HZ 60    PHASE 3    FRAME 326T    NEMA B

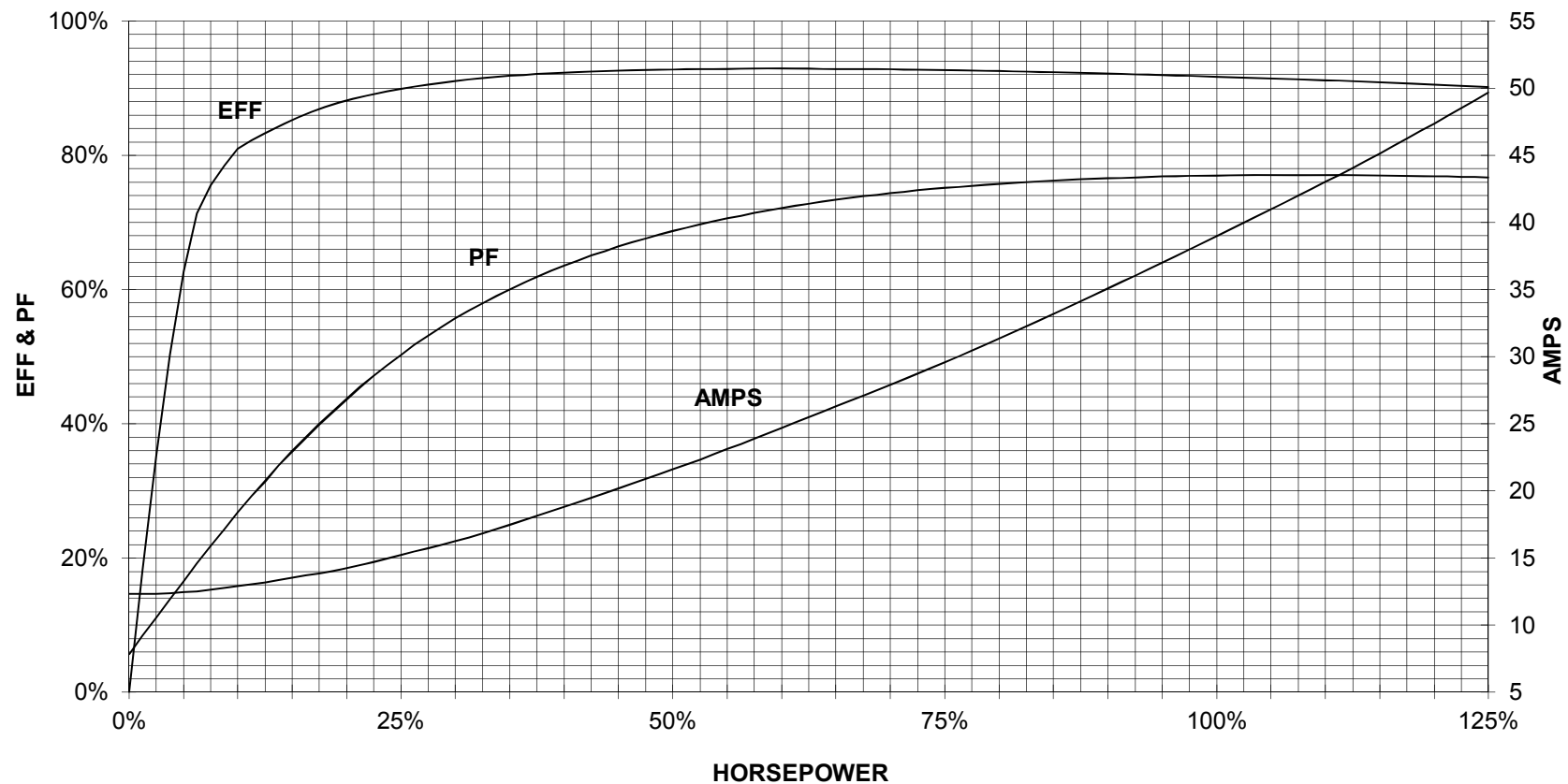
## TORQUE & CURRENT VS. SPEED



CUSTOMER: \_\_\_\_\_ ORDER#: \_\_\_\_\_

30 HP 1200 RPM 326T FRAME 460 VOLTS 3 PHASE NEMA DESIGN B

**SIEMENS INDUSTRY, INC.**  
**PERFORMANCE CURVE**  
**XP100 1D1**



CUSTOMER \_\_\_\_\_ ORDER # \_\_\_\_\_ PO # \_\_\_\_\_

PERFORMANCE BASED ON DESIGN CALCULATIONS. SUBJECT TO CHANGE WITHOUT NOTICE.

REV. 1