

Data sheet for three-phase Squirrel-Cage-Motors SIMOTICS

Motor type: FS: 365TS - 2p - 75 hp -

Client order no.	Item-No.	Offer no.
Order no.	Consignment no.	Project

Remarks

Electrical data **Class I Division 1 Groups D**

U [V]	Δ/Y	f [Hz]	P [HP]	P [kW]	n [rpm]	I Load [Amps]					LRC	Nom. Eff Load [%]			Pwr. Factor Load [%]			Torque [lb-ft]	T _A /T _N LRT [%]	T _k /T _N BDT [%]
						4/4	3/4	1/2	0	4/4		3/4	2/4	4/4	3/4	2/4				
460		60	75.00	-/-	3,565	86.00	64.90	46.30	22.00	543.0	94.1	94.3	93.7	88.0	86.0	81.0	111.0	160	260	
230		60	75.00	-/-	3,565	172.00					94.1	94.3	93.7	88.0	86.0	81.0	111.0	160	260	

Frame Type: 365TS	Type of constr.: (A) Foot mounted - End shield	Ins. Cl.:Insulation class F	Motor Prot.:(A) No winding protection	NEMA Des.: B	S.F.: 1.15
Mtr. WT:945		Temp. Rise Cl.: B	Amb. Temp.: + to -20 °C @1000 m	kVA: G	IP IP65

Mechanical data

Sound level (SPL / SWL) at 60 Hz	87.0 dB(A) / 98.0 dB(A)	Thickener	Polyurea
Octave Band Center Frequencies Hertz	250 500 1000 2000 4000 8000 Hz	Safe Stall Time Hot	16 s
SPL@3	dB(A)	Safe Stall Time Cold	27 s
Moment of inertia	11.1 Lb-ft ²	Frame material	cast iron
Ext Load Inertia Capability:	71.0 Lb ft ²	Color, paint shade	
Bearings		Coating (paint finish)	
Bearing DE NDE	6314 Z C3 S0 6314 Z C3 S0	Ventilation Type	
Bearing_Type	Ball Bearing Ball Bearing	Method of cooling	TEFC
AFBMA:	70BC03JP30 70BC03JP30	Direction of rotation	Bidirectional
Grease		Fan Material	Polypropylen ESD
Capacity	7.5 oz 7.5 oz	VFD	CT: 4:1 VT: 20:1
Grease Type:	Exxon Mobile EM	Space heaters	without
		Brake:	-/-

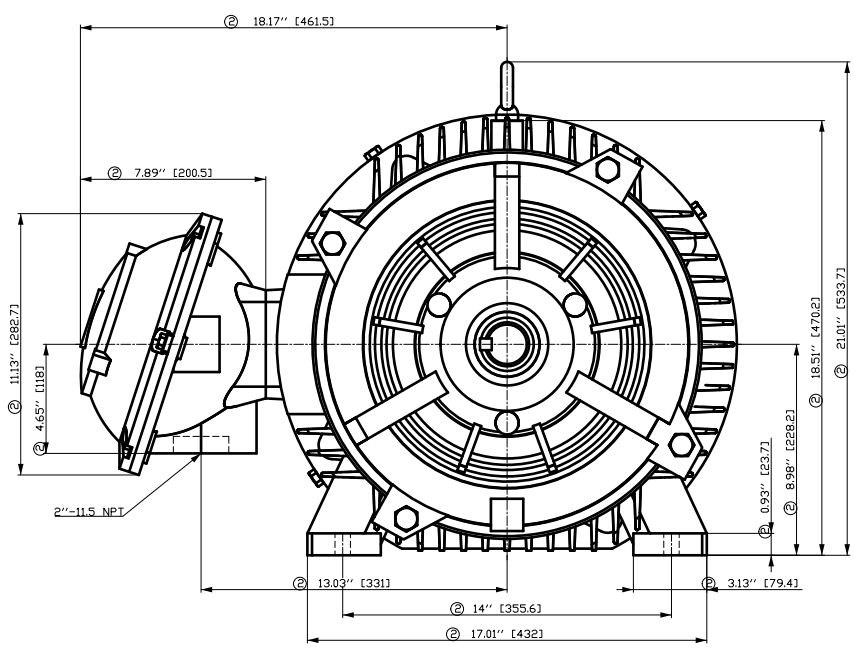
Terminal box

Lead Wire Connection	9 LEAD - DELTA	Terminal box position	(3) Mounting - F-1
Voltage	L1 L1 L1 Connected together	Material of terminal box	
LOW	T1 T7 T6 T2 T8 T4 T3 T9 T5 - - - -	Cable entry	-/-
HIGH	T1 T2 T3 T4 T7-T5 T8-T6 T9		

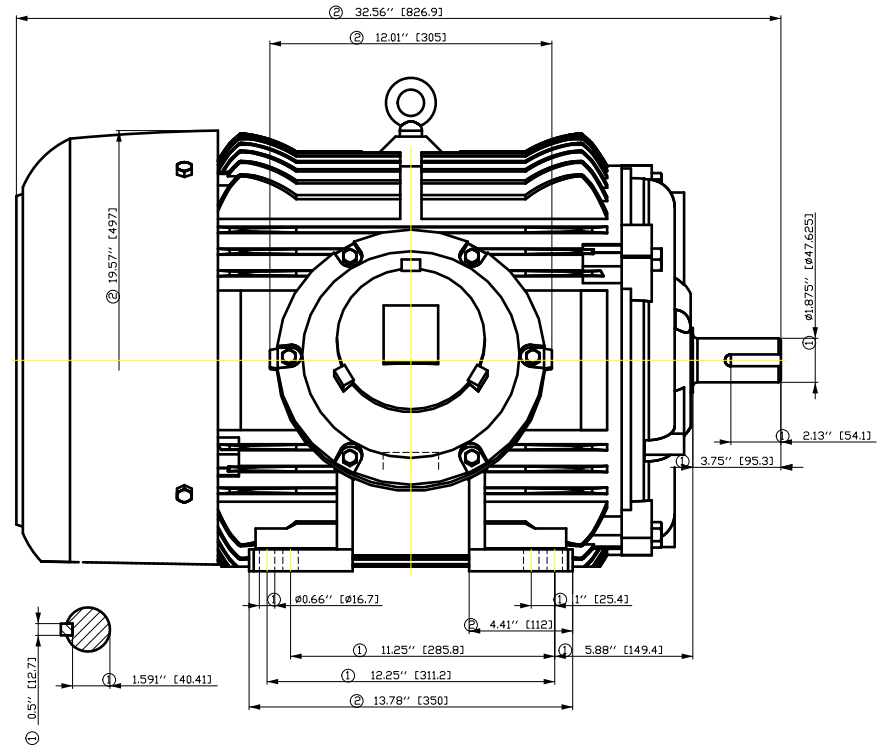
Notes:
 I_r/I_N = locked rotor current / current nominal
 M_r/M_N = locked rotor torque / torque nominal
 M_b/M_N = break down torque / nominal torque
 3) Value is valid only for DOL operation with motor design IC411
 2) at rated power / at full load

responsible dep. DI MC LVM	technical reference	created by DT Configurator	approved by	<i>Technical data are subject to change! There may be discrepancies between software and hardware versions</i>
-------------------------------	---------------------	-------------------------------	-------------	--

	document type datasheet	document status released	customer	
	title 1MB2221-3DA21-6AA3	document number	rev. 01	creation date 2022-04-08 22:27
© Siemens AG 2022			language en	Page 1/1



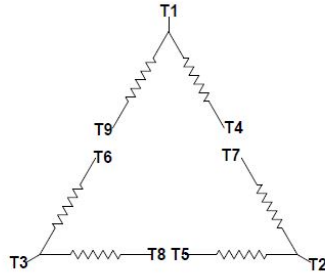
- ① Tolerances according to NEMA std.
- ② All these dimensions corresponding to assemblies and castings shall have a tolerance as per DIN standard 1686-GTB 19.
- ③ Not according to NEMA std.



Tolerance	Surface	Material	Weight	Scale
FT ÖGGEF-ÖÖGEF ÖEII É	Author Creator Approval Department Change Order	ÖS T æ : ^æ@ } *	É	{ {
SIEMENS	Doc. State	I ð ÖG	Item No	Paper Size
	Revision	Index RS	Doc No	1st Language 2nd Language
© Siemens AG 2018	Project No	É	Ref No	É
			Doc Type	Sheet
				F of F

刀线管
 用特为干
 文全路
 积
 01 1113 282.7 11.13 282.7 4.65 118 7.89 200.5 18.17 461.5 18.51 470.2 21.01 533.7 0.93 23.7 8.98 228.2 3.13 79.4 13.03 331 14 355.6 17.01 432 2 11.5 NPT 19.57 497 12.01 305 0.5 12.7 1.591 40.41 0.66 16.7 1.125 28.5.8 1.225 311.2 4.41 112 1 25.4 5.88 149.4 13.78 350 3.75 95.3 2.13 54.1 12.75 324.65

Main terminal diagram



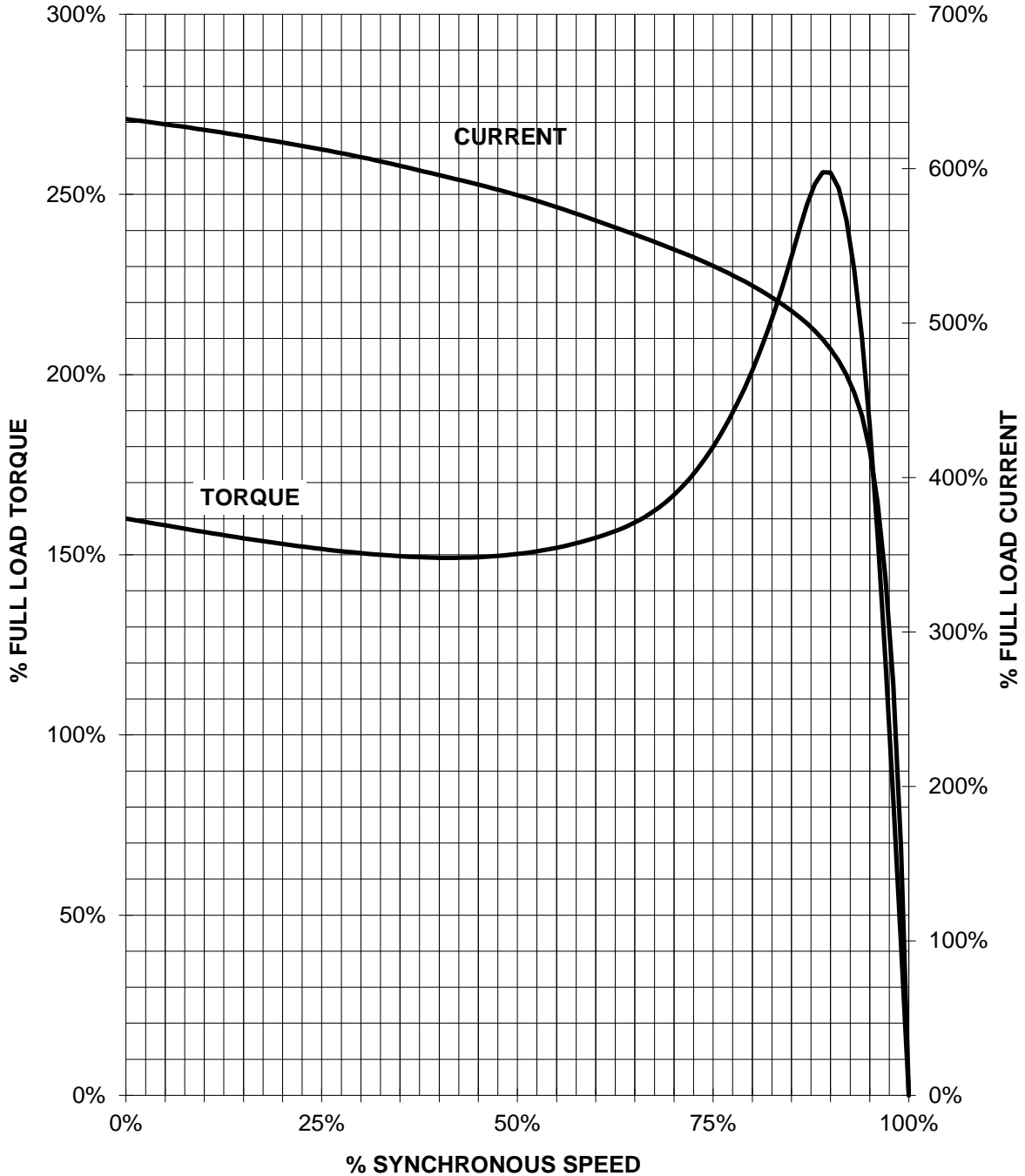
9 LEAD DELTA						
Volts	LINES			CONNECTED TOGETHER	CONN.	
	L1	L2	L3			
LOW	T1 T6	T7 T4	T8 T5	T3 T9		Δ Δ
HIGH	T1	T2	T3	T4 T7-T5 T8-T6 T9		Δ

responsible dep. DI MC LVM	technical reference	created by	approved by	Project
SIEMENS	document type Wiring Diagram	document status free		customer
	title 1MB2221-3DA21-6AA3	document number		
© Siemens AG 2019	rev. 01	creation date 12/03/2019	language en	Page 1/1

SIEMENS INDUSTRY, INC.

HP 75 VOLTS <600 RPM 3600 TYPE XP100 1D1
HZ 60 PHASE 3 FRAME 365TS NEMA B

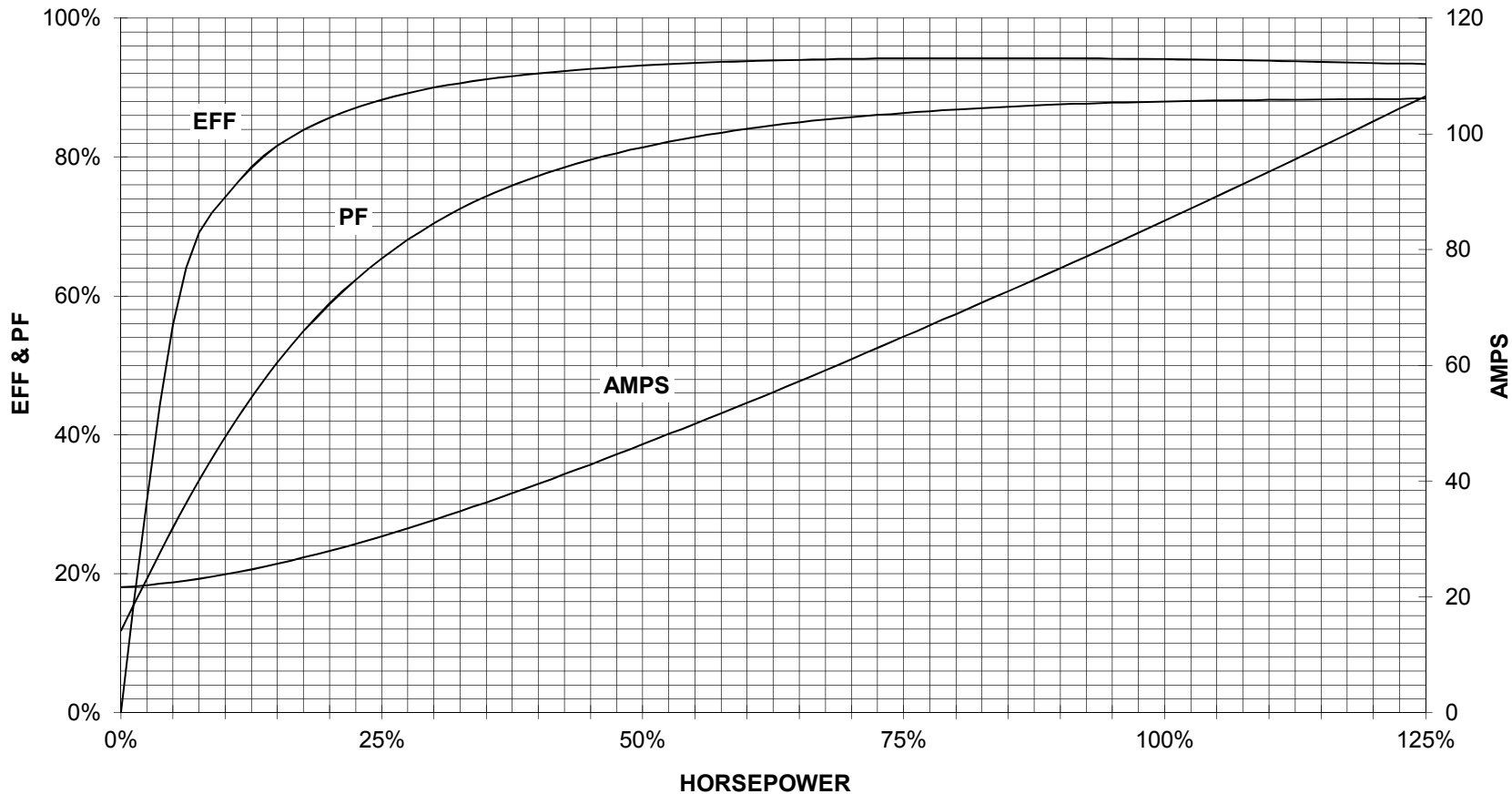
TORQUE & CURRENT VS. SPEED



CUSTOMER: _____ ORDER#: _____

75 HP 3600 RPM 365TS FRAME 460 VOLTS 3 PHASE NEMA DESIGN B

SIEMENS INDSTRY, INC.
PERFORMANCE CURVE
XP100 1D1



CUSTOMER _____ ORDER # _____ PO # _____

PERFORMANCE BASED ON DESIGN CALCULATIONS. SUBJECT TO CHANGE WITHOUT NOTICE.

REV. 1